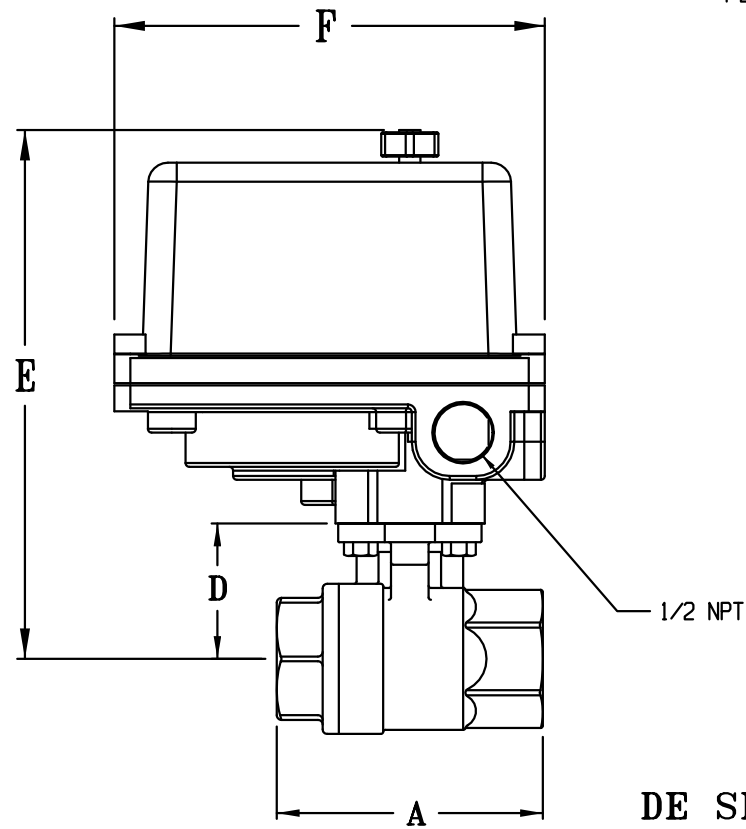
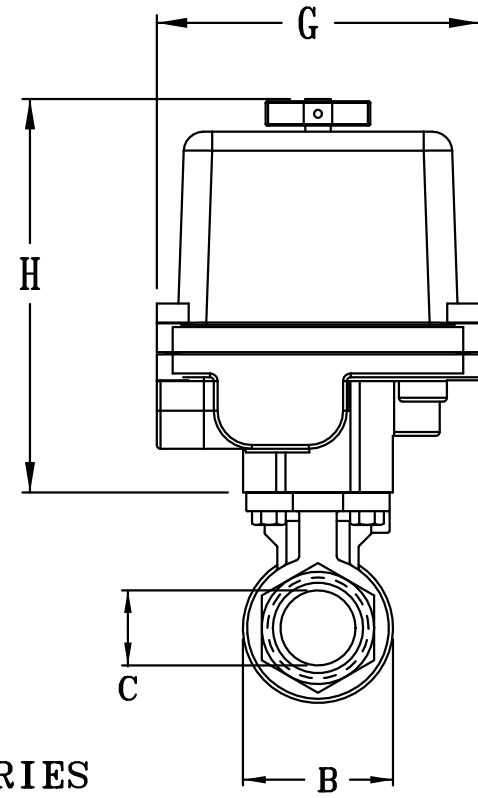


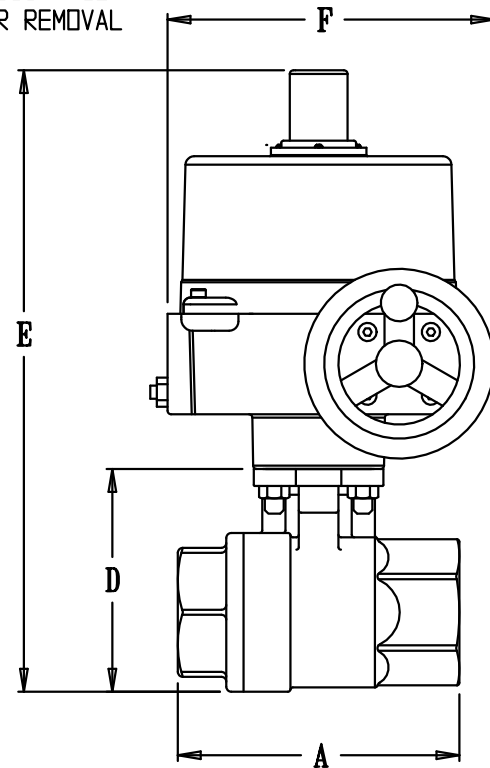
3.00 ABOVE SHAFT
MINIMUM DISTANCE
FOR COVER REMOVAL



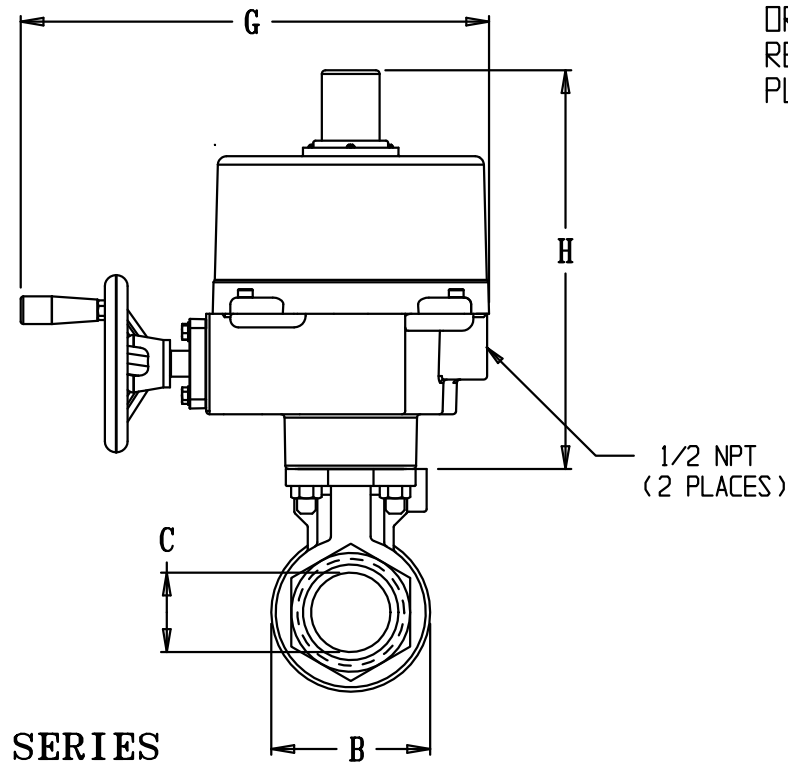
DE SERIES



5.65 ABOVE SHAFT
MINIMUM DISTANCE
FOR COVER REMOVAL



MA SERIES



MODEL	EHS21AJE20	EHS23AJ320	EHS24AJE21	EHS25AJE21	EHS27AJE25	EHS28AJE01	EHS2AAJE02
VALVE	1/4 NPT	1/2 NPT	3/4 NPT	1 NPT	1 1/2 NPT	2 NPT	3 NPT
C _v	6	19	34	54	143	245	780
TEMP	-20° / 370°F	-20° / 370°F	-20° / 370°F	-20° / 370°F	-20° / 370°F	-20° / 370°F	-20° / 370°F
CWP	1500 PSI	1500 PSI	1500 PSI	1500 PSI	1500 PSI	1500 PSI	1500 PSI
A	1.97	2.95	3.15	3.54	4.72	5.51	7.56
B	1.32	1.38	1.78	2.01	2.95	3.77	5.50
C	0.45	0.59	0.79	0.98	1.50	2.00	3.14
D	1.31	1.38	1.63	1.75	2.17	2.62	4.02
E	6.49	6.56	6.81	6.93	7.35	12.66	14.06
F	5.66	5.66	5.66	5.66	5.66	7.87	7.87
G	4.24	4.24	4.24	4.24	4.24	13.00	13.00
H	5.18	5.18	5.18	5.18	5.18	10.04	10.04
ACTUATOR	DE153	DE153	DE154	DE154	DE305	MA7	MA13
CYCLE	2.5 SEC.	2.5 SEC.	2.5 SEC.	2.5 SEC.	6.0 SEC.	15 SEC.	22 SEC.
MAX ΔP	500 PSI	500 PSI	500 PSI	500 PSI	300 PSI	300 PSI	300 PSI
AMBIENT TEMP °F	-40° / 150°F	-40° / 150°F	-40° / 150°F	-40° / 150°F	-40° / 150°F	10° / 140°F	10° / 140°F
WT. LBS	4.55	4.77	5.38	5.85	8.25	27.00	43.80

NOTE: SIZED FOR CLEAN WATER, AIR OR OIL. OTHER APPLICATIONS MAY REQUIRE LARGER ACTUATORS. PLEASE CONSULT FACTORY.

VALVE MATERIALS

BODY/END CAP	ASTM A351 GR. CF8M (316 SS)
STEM	316 STAINLESS STEEL
BALL	316 STAINLESS STEEL
SEATS	RTFE (CARBON)
THRUSTWASHER	PTFE
STEM SEAL	PTFE / VITON O-RING

UNCONTROLLED DRAWING

THIS PRINT IS THE PROPERTY OF DYNAQUIP CONTROLS AND SHALL NOT BE COPIED, REPRODUCED, LOANED, OR DISPOSED OF DIRECTLY OR INDIRECTLY, NOR USED FOR ANY PURPOSE OTHER THAN THAT FOR WHICH IT IS SPECIFICALLY FURNISHED EXCEPT BY WRITTEN PERMISSION OF DYNAQUIP CONTROLS.

NO. EHS2 SERIES FILE NO. SUB126.3

TITLE
BALL VALVE
316 SS - FULL PORT - NPT
ELECTRIC ACTUATOR

DR	DATE	CH'KD	DATE	ENGR	DATE
MJP	08-28-09	MJP	08-28-09	MJP	08-28-09

