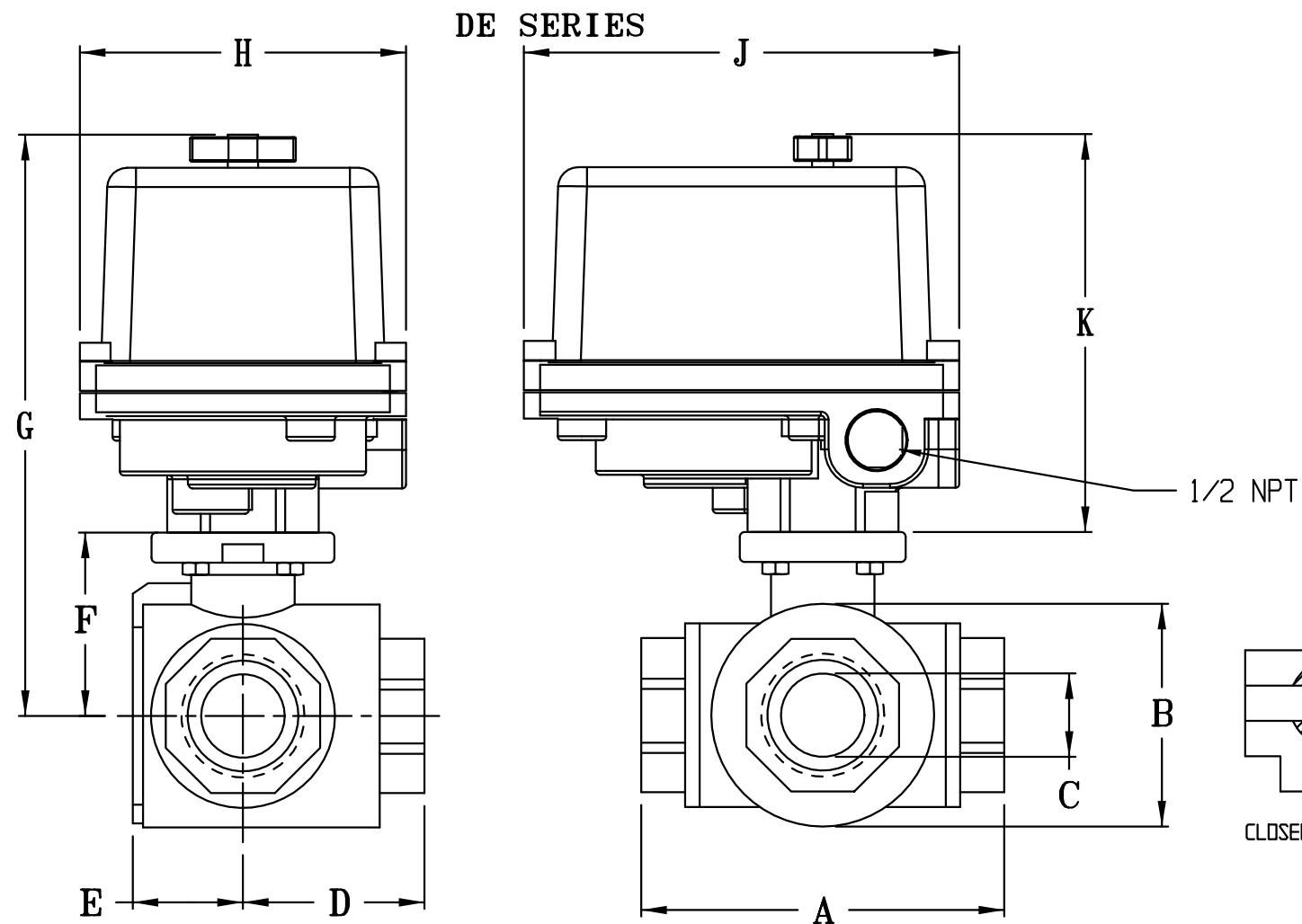
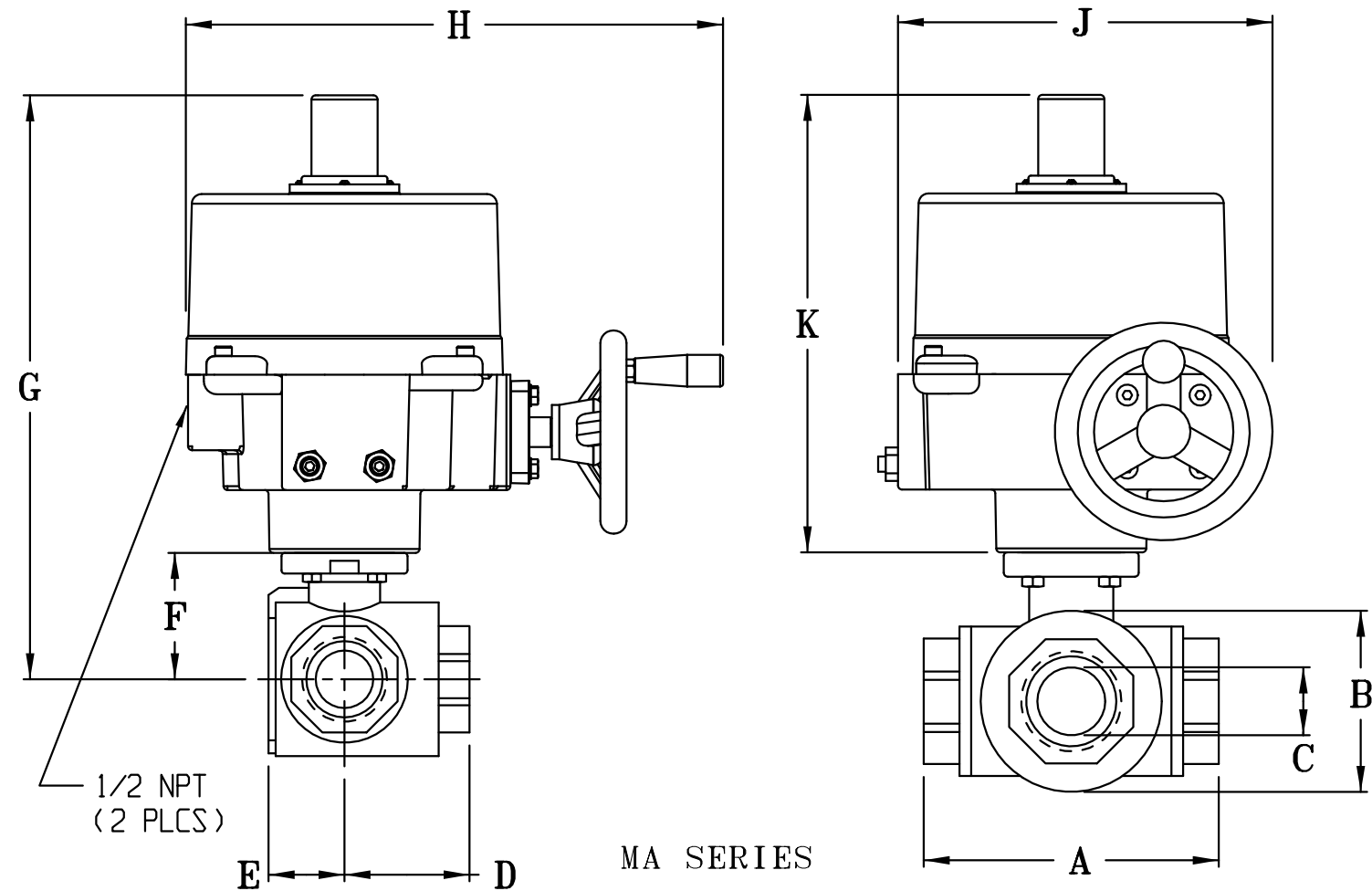
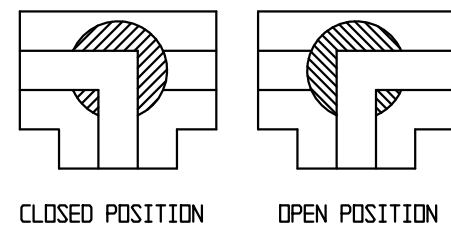


MODEL	EYSA3AJE20	EYSA4AJE25	EYSA5AJE25	EYSA7AJE01	EYSA8AJE02
ACTUATOR	DE153	DE305	DE305	MA7	MA13
SIZE	1/2 NPT	3/4 NPT	1 NPT	1 1/2 NPT	2 NPT
A	3.14	3.77	4.37	5.67	6.68
B	1.73	2.08	2.58	3.65	4.61
C	0.59	0.79	1.00	1.50	2.00
D	1.57	1.89	2.18	2.84	3.34
E	0.86	1.20	1.27	1.83	2.25
F	1.60	1.91	2.14	2.89	3.63
G	6.78	7.09	7.32	12.94	13.67
H	4.24	4.24	4.24	13.00	13.00
J	5.66	5.66	5.66	7.87	7.87
K	5.18	5.18	5.18	10.04	10.04
MAX. Δ PSI	300 CWP	300 CWP	300 CWP	300 CWP	300 CWP
WT. LBS	5.98	7.30	9.28	32.10	42.00



MODEL NO. VOLTAGE CODE
EYSAXAJEXXY

CODE (SUFFIX)
BLANK = 115VAC
B = 240VAC
H = 12 - 24 VAC/VDC (DE)



UNCONTROLLED DRAWING

THIS PRINT IS THE PROPERTY OF DYNAQUIP CONTROLS AND SHALL NOT BE COPIED, REPRODUCED, LOANED, OR DISPOSED OF DIRECTLY OR INDIRECTLY, NOR USED FOR ANY PURPOSE OTHER THAN THAT FOR WHICH IT IS SPECIFICALLY FURNISHED EXCEPT BY WRITTEN PERMISSION OF DYNAQUIP CONTROLS.

VALVE DATA

BODY/END CAP	ASTM A351 GR CF8M
STEM	STAINLESS STEEL - 316
BALL	STAINLESS STEEL - 316
SEATS	PTFE +15% GLASS FILLED
THRUST WASHER	P.E.E.K. FOOD GRADE
STEM SEAL	PTFE/VITON O-RINGS

NO. VYSA SERIES FILE NO. SLB128.1
TITLE
BALL VALVE
3-WAY SS - L PORT - NPT
ELECTRIC ACTUATOR

DR	DATE	CH'KD	DATE	ENGR	DATE
MJP	08-28-09	MJP	08-28-09	MJP	08-28-09

