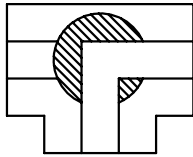
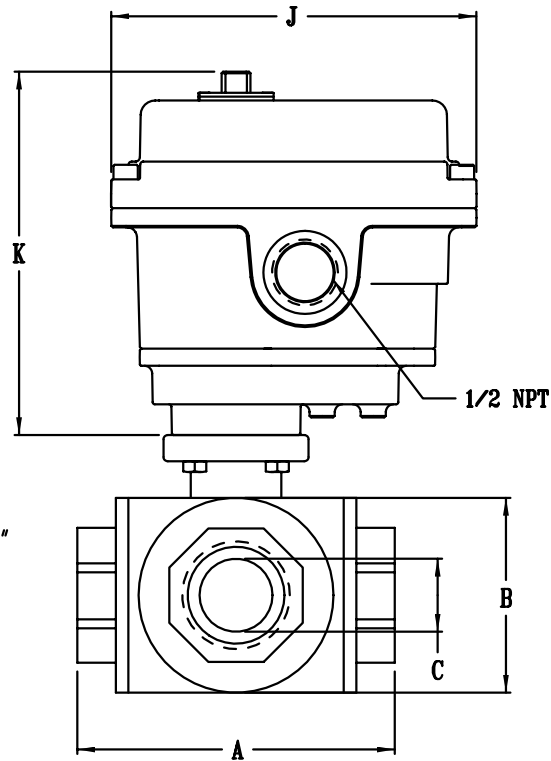
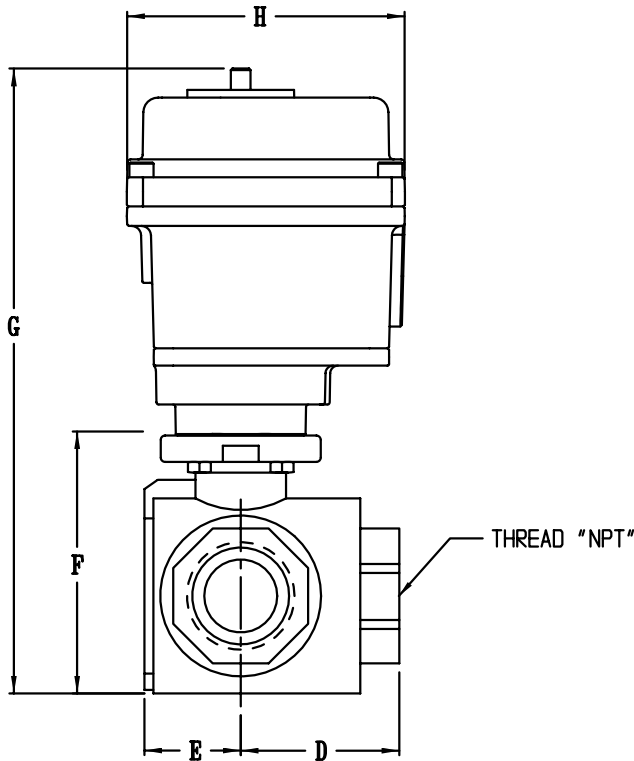


CLOSED POSITION



OPEN POSITION

MODEL	EHYG1AUE20	EHYG2AUE20	EHYG3AUE20	EHYG4AUE20	EHYG5AUE25	EHYG6AUE25	EYHG7AUE25	EYHG8AUF06	EYHG9AUF06	EYHGAAUF06
ACTUATOR	DE153	DE153	DE153	DE153	DE305	DE305	DE305	AE607	AE607	AE607
SIZE	1/4 NPT	3/8 NPT	1/2 NPT	3/4 NPT	1 NPT	1 1/4 NPT	1 1/2 NPT	2 NPT	2 1/2 NPT	3 NPT
A	2.64	2.64	2.87	3.19	3.74	4.39	4.86	5.73	6.93	7.08
B	1.34	1.34	1.34	1.53	1.89	2.36	2.83	3.38	4.37	4.45
C	.39	.43	.43	.59	.79	.98	1.26	1.57	1.95	1.95
D	1.32	1.32	1.44	1.60	1.87	2.20	2.43	2.87	3.47	3.54
E	.77	.77	.77	.87	1.00	1.22	1.79	1.75	2.20	2.20
F	1.87	1.87	1.87	2.06	2.58	3.03	3.76	4.59	5.54	5.58
G	6.59	6.59	6.59	6.78	7.95	8.40	9.13	11.71	12.66	12.70
H	3.58	3.58	3.58	3.58	3.58	3.58	3.58	7.00	7.00	7.00
J	4.75	4.75	4.75	4.75	4.75	4.75	4.75	7.00	7.00	7.00
K	4.72	4.72	4.72	4.72	5.37	5.37	5.37	7.12	7.12	7.12
WT. LBS	4.92	4.86	4.91	5.14	6.54	8.05	9.92	21.58	28.83	32.05



3-WAY L-PORT BRASS BALL VALVE  
 ISO 5211 MOUNTING PAD  
 PRESSURE RATING; 400 WDG - 100 WSP

VALVE DATA	
BODY/END CAP	BRASS
STEM	BRASS, NI PL
BALL	BRASS, NI-CHROME PL
SEATS	PTFE
THRUST WASHER	PTFE
STEM SEAL	VITON O-RINGS

**UNCONTROLLED DRAWING**

THIS PRINT IS THE PROPERTY OF DYNAQUIP CONTROLS AND SHALL NOT BE COPIED, REPRODUCED, LOANED, OR DISPOSED OF DIRECTLY OR INDIRECTLY, NOR USED FOR ANY PURPOSE OTHER THAN THAT FOR WHICH IT IS SPECIFICALLY FURNISHED EXCEPT BY WRITTEN PERMISSION OF DYNAQUIP CONTROLS. IV-MA

**NO. VYH SERIES** FILE NO. SUB138.1

**TITLE**  
**3-WAY L-PORT BALL VALVE**  
**ELECTRIC ACTUATOR**

DR	DATE	CHK'D	DATE	ENGR	DATE
LJH	05-26-05	LJH	05-26-05	LJH	05-26-05

