

12	END CAP	STEEL C12L14, ZINC PHOS COAT
11	END CAP SEAL	PTFE
10	BALL	STEEL C12L14, CHROME PLT.
9	BALL SEAT	CARBON/GLASS FILLED PTFE
8	HANDLE COVER	VINYL
8	HANDLE	STEEL, ZINC PLATE
7	NUT	STEEL, ZINC PLATE
6	SPRING WASHER	STEEL, ZINC PLATE
5	FOLLOWER	STAINLESS STEEL, 304
4	STEM SEAL	CARBON/GRAPHITE FILLED PTFE
3	THRUSTWASHER	CARBON/GRAPHITE FILLED PTFE
2	STEM	STEEL C12L14, NICKEL PLT.
1	BODY	STEEL C12L14, ZINC PHOS COAT
ITEM	PART NAME	MATERIAL

CATALOG NO.	DIMENSIONS						PRESSURE RATING	C _v	WT. LBS.
	A	B	C	D	E	F			
VLE2.AK 1/4	.40	2.00	1.00	3.78	1.63	.53	3000 CWP 150 SWP	6	.6
VLE2.AK 3/8	.40	2.00	1.00	3.78	1.63	.53	3000 CWP 150 SWP	12	.6
VLE2.AK 1/2	.50	2.72	1.40	4.78	2.16	.81	3000 CWP 150 SWP	19	1.5
VLE2.AK 3/4	.75	3.49	1.83	4.78	2.35	.94	3000 CWP 150 SWP	34	2.4
VLE2.AK 1	1.00	3.93	2.05	6.10	2.85	1.25	3000 CWP 150 SWP	54	5.3

UNCONTROLLED DRAWING

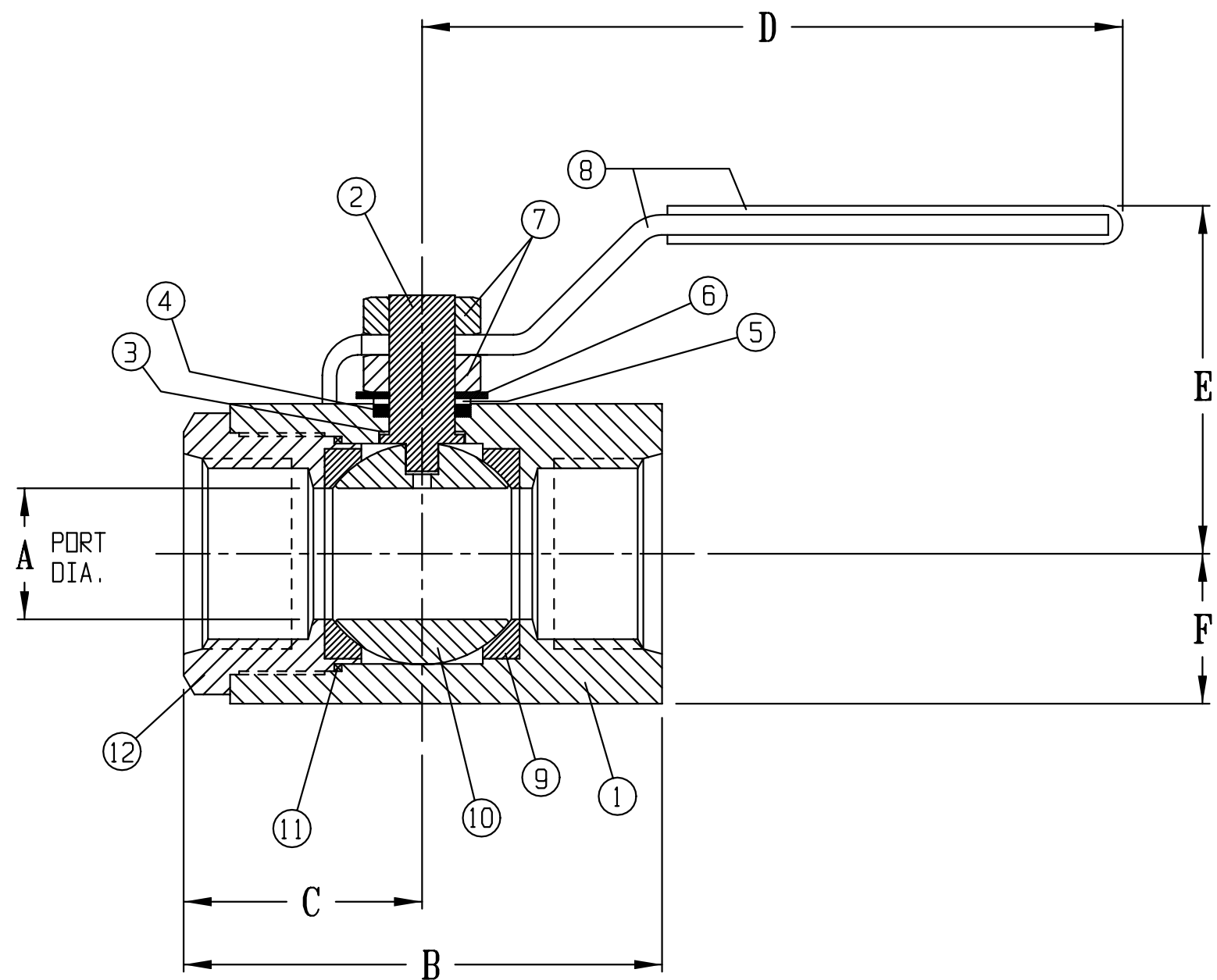
THIS PRINT IS THE PROPERTY OF DYNAQUIP CONTROLS AND SHALL NOT BE COPIED, REPRODUCED, LOANED, OR DISPOSED OF DIRECTLY OR INDIRECTLY, NOR USED FOR ANY PURPOSE OTHER THAN THAT FOR WHICH IT IS SPECIFICALLY FURNISHED EXCEPT BY WRITTEN PERMISSION OF DYNAQUIP CONTROLS.

NO. VLE2.AK **FILE NO. SUB085**

TITLE
BALL VALVE - VLE SERIES
BAR STOCK - NPT THREADS

DR	DATE	CH'KD	DATE	ENGR	DATE
TAP	11-15-00	LJH	10-22-97	LJH	10-22-97





12	END CAP	STEEL C12L14, ZINC PHOS COAT
11	END CAP SEAL	PTFE
10	BALL	STEEL C12L14, CHROME PLT.
9	BALL SEAT	CARBON/GLASS FILLED PTFE
8	HANDLE COVER	VINYL
8	HANDLE	STEEL, ZINC PLATE
7	NUT	STEEL, ZINC PLATE
6	SPRING WASHER	STEEL, ZINC PLATE
5	FOLLOWER	STAINLESS STEEL, 304
4	STEM SEAL	CARBON/GRAPHITE FILLED PTFE
3	THRUSTWASHER	CARBON/GRAPHITE FILLED PTFE
2	STEM	STEEL C12L14, NICKEL PLT.
1	BODY	STEEL C12L14, ZINC PHOS COAT
ITEM	PART NAME	MATERIAL

CATALOG NO.	DIMENSIONS						THREAD SAE J1926	PRESSURE RATING	C _v	WT. LBS.
	A	B	C	D	E	F				
VLE2.NK 1/4	.40	2.01	1.00	3.78	1.63	.53	-4 SAE 7/16-20UNF	3000 CWP 150 SWP	6	.6
VLE2.NK 3/8	.40	2.01	1.00	3.78	1.63	.53	-6 SAE 9/16-18UNF	3000 CWP 150 SWP	12	.6
VLE2.NK 1/2	.50	2.84	1.52	4.78	2.16	.81	-8 SAE 3/4-16UNF	3000 CWP 150 SWP	19	1.5
VLE2.NK 3/4	.75	3.71	2.05	4.78	2.35	.94	-12 SAE 1 1/16-12UN	3000 CWP 150 SWP	34	2.4
VLE2.NK 1	1.00	4.15	2.27	6.10	2.85	1.25	-16 SAE 1 5/16-12UN	3000 CWP 150 SWP	54	5.3

UNCONTROLLED DRAWING

THIS PRINT IS THE PROPERTY OF DYNAQUIP CONTROLS AND SHALL NOT BE COPIED, REPRODUCED, LOANED, OR DISPOSED OF DIRECTLY OR INDIRECTLY, NOR USED FOR ANY PURPOSE OTHER THAN THAT FOR WHICH IT IS SPECIFICALLY FURNISHED EXCEPT BY WRITTEN PERMISSION OF DYNAQUIP CONTROLS.

NO. VLE2.NK **FILE NO. SUB086**

TITLE
BALL VALVE - VLE SERIES
SAE O-RING BOSS

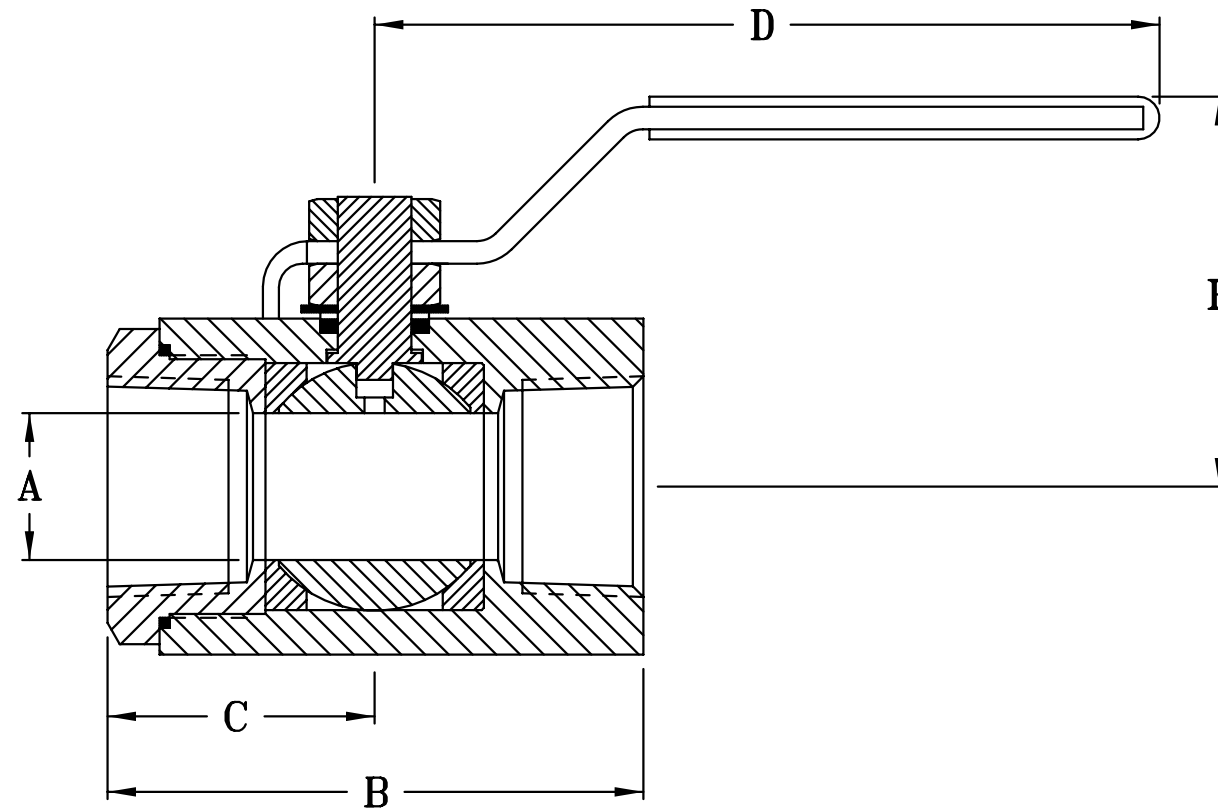
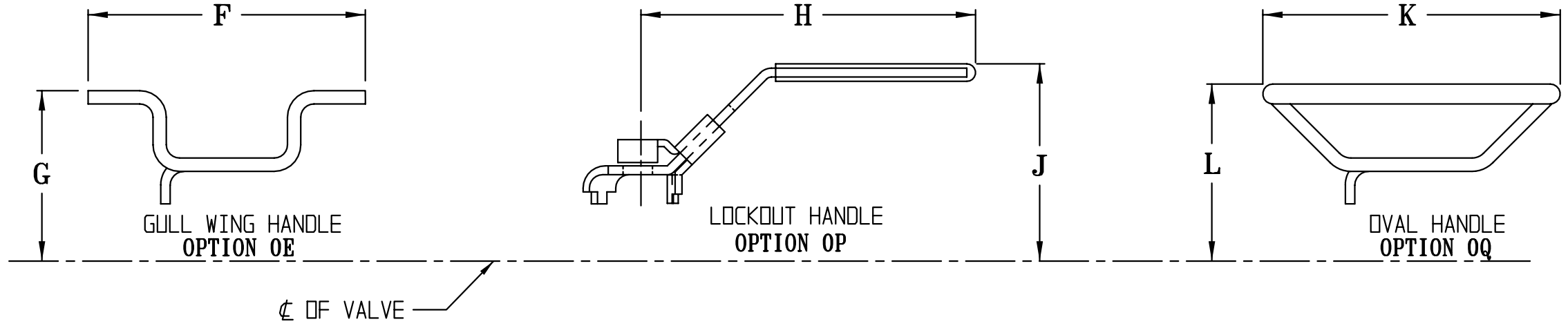
DR	DATE	CH'KD	DATE	ENGR	DATE
KBS	03-30-01	LJH	10-24-97	LJH	10-24-97



VLE2.AKXX 1/4

OPTION CODES

- BLANK - LEVER HANDLE
- OE - GULL WING HANDLE
- OP - LOCKOUT HANDLE
- OQ - OVAL HANDLE



CATALOG NO.	A	B	C	D	E	F	G	H	J	K	L
VLE2-AK 1/4	.40	2.00	1.00	3.78	1.63	2.90	1.41	4.18	2.23	3.56	1.66
VLE2-NK 1/4	.40	2.01	1.00	3.78	1.63	2.90	1.41	4.18	2.23	3.56	1.66
VLE2-AK 3/8	.40	2.00	1.00	3.78	1.63	2.90	1.41	4.18	2.23	3.56	1.66
VLE2-NK 3/8	.40	2.01	1.00	3.78	1.63	2.90	1.41	4.18	2.23	3.56	1.66
VLE2-AK 1/2	.50	2.72	1.40	4.78	2.16	----	----	4.75	2.55	----	----
VLE2-NK 1/2	.50	2.84	1.40	4.78	2.16	----	----	4.75	2.55	----	----
VLE2-AK 3/4	.75	3.49	1.83	4.78	2.35	----	----	5.33	2.81	----	----
VLE2-NK 3/4	.75	3.71	1.83	4.78	2.35	----	----	5.33	2.81	----	----
VLE2-AK 1	1.00	3.93	2.05	6.10	2.85	----	----	6.20	3.65	----	----
VLE2-NK 1	1.00	4.15	2.05	6.10	2.85	----	----	6.20	3.65	----	----

UNCONTROLLED DRAWING

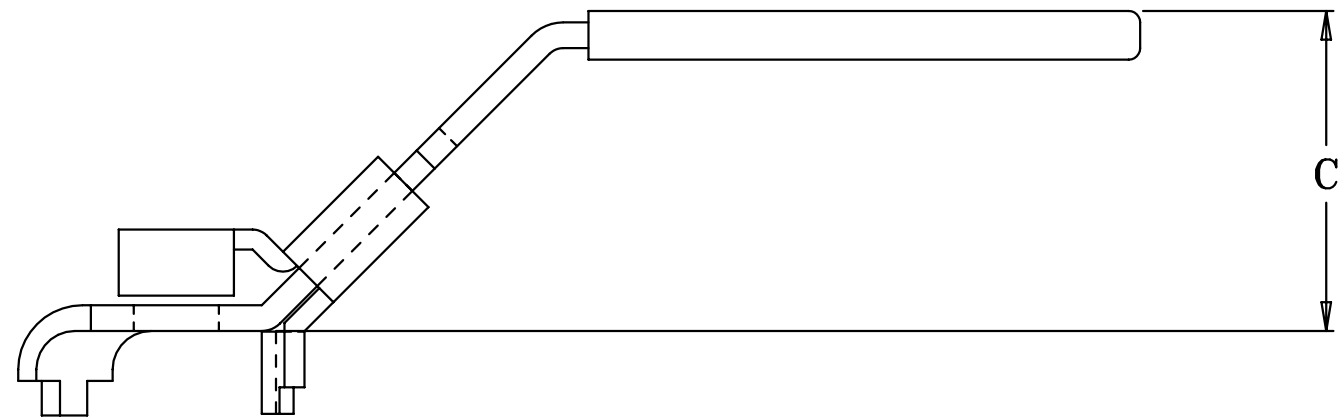
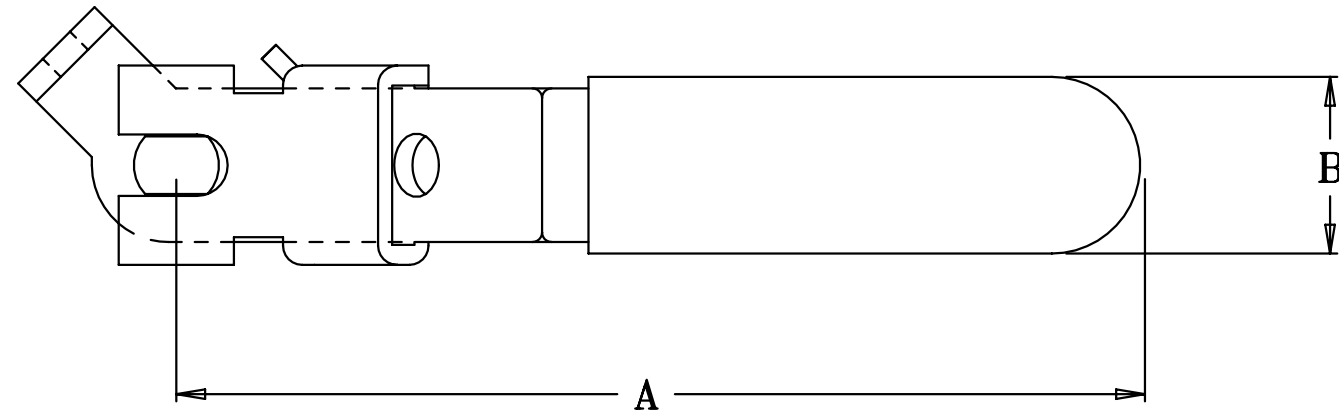
THIS PRINT IS THE PROPERTY OF DYNAQUIP CONTROLS AND SHALL NOT BE COPIED, REPRODUCED, LOANED, OR DISPOSED OF DIRECTLY OR INDIRECTLY, NOR USED FOR ANY PURPOSE OTHER THAN THAT FOR WHICH IT IS SPECIFICALLY FURNISHED EXCEPT BY WRITTEN PERMISSION OF DYNAQUIP CONTROLS.

NO. VLE SERIES FILE NO. SUB186

TITLE
VLE SERIES HANDLE OPTIONS

DR	DATE	CH'KD	DATE	ENGR	DATE
LJH	10-21-05	LJH	10-24-05	LJH	10-24-05





HANDLE NUMBER	DIMENSIONS			VALVE SIZE
	A	B	C	VLE2
143147.01	4.18	0.84	1.39	1/4 3/8
143363.01	4.75	0.86	1.37	1/2
143366.01	5.33	0.86	1.46	3/4
143369.01	6.20	1.02	1.85	1

UNCONTROLLED DRAWING

THIS PRINT IS THE PROPERTY OF DYNAQUIP CONTROLS AND SHALL NOT BE COPIED, REPRODUCED, LOANED, OR DISPOSED OF DIRECTLY OR INDIRECTLY, NOR USED FOR ANY PURPOSE OTHER THAN THAT FOR WHICH IT IS SPECIFICALLY FURNISHED EXCEPT BY WRITTEN PERMISSION OF DYNAQUIP CONTROLS.

NO. VLE SERIES **FILE NO.**
SUB183

TITLE
LOCK HANDLE
VLE SERIES

DR	DATE	CH' KD	DATE	ENGR	DATE
LJH	10-20-05	LJH	10-21-05	LJH	10-21-05

