

ACTUATOR WIRING DIAGRAM  
ACTUATOR SHOWN IN OPEN POSITION

### SPECIFICATIONS

OUTPUT TORQUE.....100 IN LBS  
 CYCLE TIME.....2.5 SEC/90°  
 DUTY CYCLE.....75%  
 MOTOR.....115VAC 50/60Hz  
                   1 Ph - REVERSING  
 THERMAL OVERLOAD PROTECTION STANDARD  
 ENCLOSURE.....NEMA 4  
   MATERIAL - CAST ALUMINUM  
   COATING - POLYESTER URETHANE  
                   CHARCOAL COLOR  
 FASTENERS.....304 SS  
 OUTPUT SHAFT.....416 SS  
 TERMINAL STRIP - STANDARD - AWG 14  
   WIRED FOR LIGHT INDICATION  
 SWITCHES - 10A, 1/2 HP 125 - 250 VAC  
                   0.1A, 125 VDC  
 LOCK ROTOR AMPS.....0.55 AMP  
 LUBRICATION.....PERMANENT  
 OPERATING TEMP. RANGE -40°F TO 150°F  
 MOUNTING.....ISO 5211/F03  
                   ISO 5211/F04  
 WEIGHT.....5.4 lbs.

### MOUNTING SPECS

DIM.	AE103	AE104
A	F03 .354 SQ. .39 DP.	F04 .433 SQ. .44 DP.
B	M5-.38 DP. 4 PLACES	M5-.38 DP. 4 PLACES
C	1.417 DIA.	1.654 DIA.
D	1.002 SQ.	1.169 SQ.

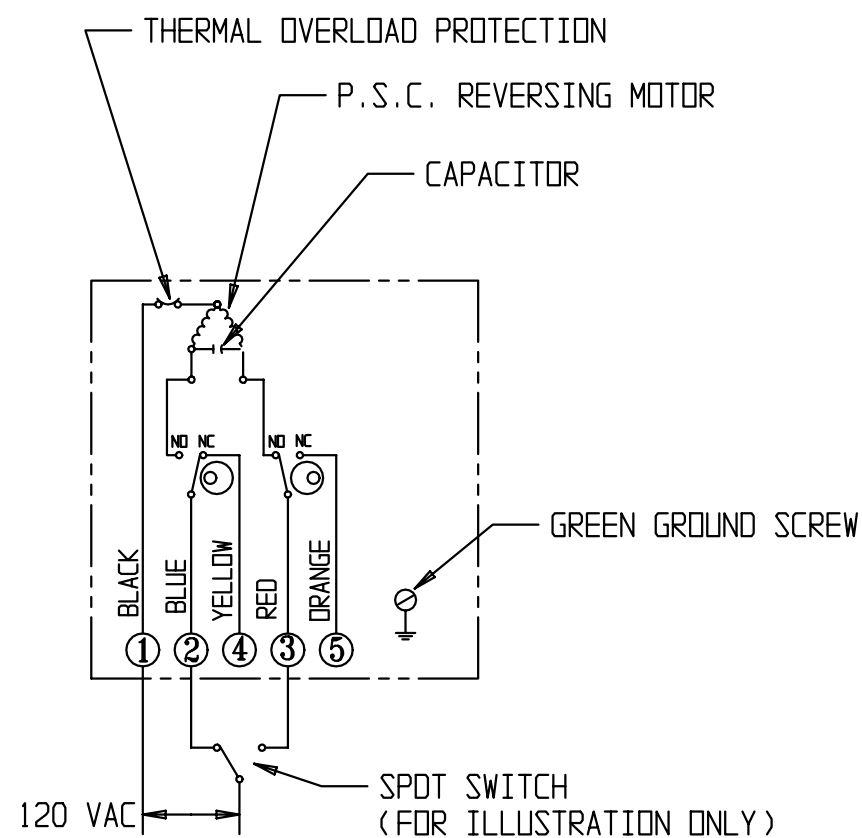
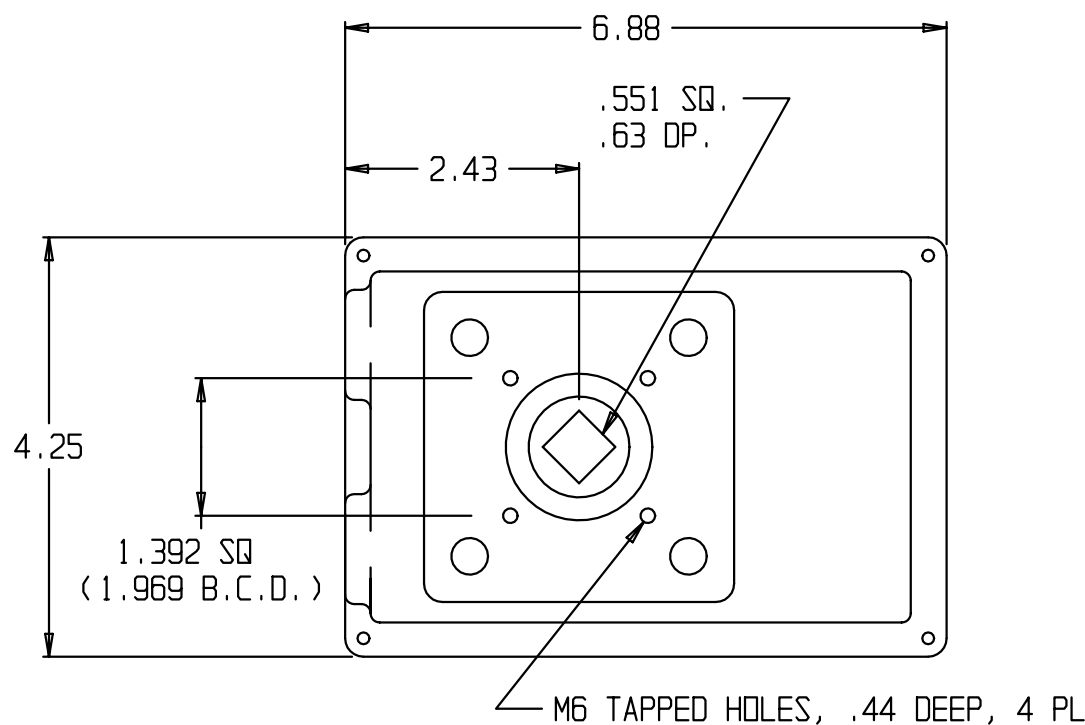
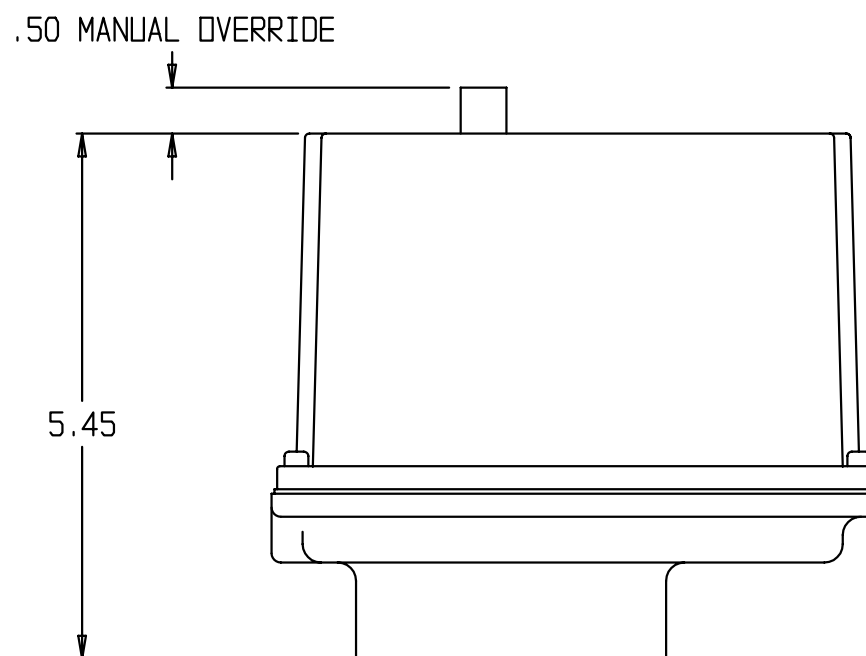
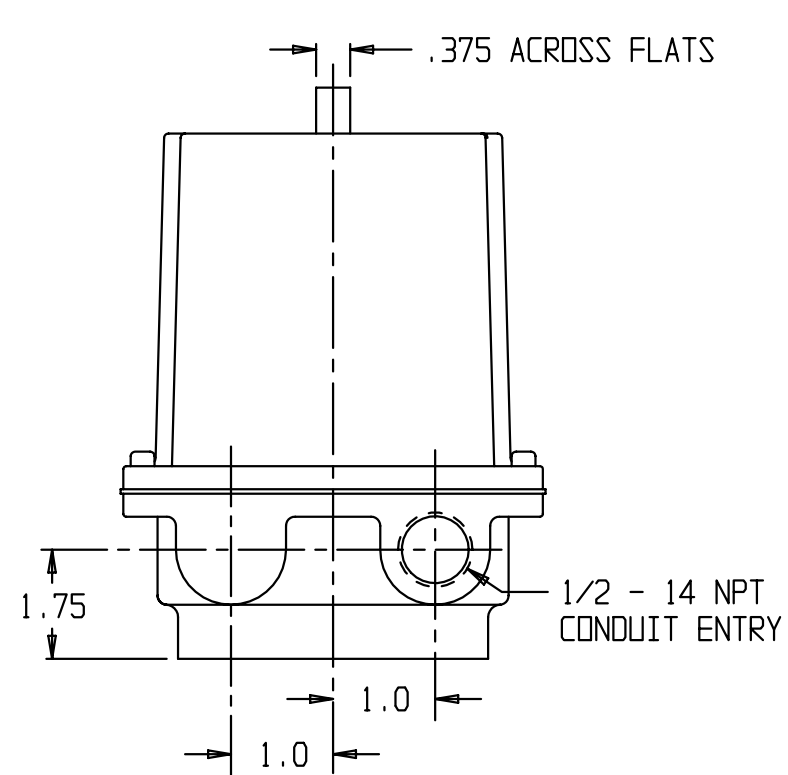
**UNCONTROLLED DRAWING**

Data is for general information only, and is subject to change without notice.

<b>NO.</b>	AE100-ACT		<b>FILE NO.</b>	SUB092	
<b>TITLE</b>	ELECTRIC ACTUATOR AE100 SERIES				

DR	DATE	CH'KD	DATE	ENGR	DATE
KBS	04-06-01	LJH	04-06-01	LJH	04-06-01





ACTUATOR SHOWN IN OPEN POSITION

SPECIFICATIONS

OUTPUT TORQUE.....200 IN LBS  
 CYCLE TIME.....5 SEC/90°  
 DUTY CYCLE.....25%  
 MOTOR.....115VAC 50/60Hz  
 1 Ph - REVERSING  
 THERMAL OVERLOAD PROTECTION STANDARD  
 ENCLOSURE.....NEMA 4  
 MATERIAL - CAST ALUMINUM  
 COATING - POLYESTER URETHANE  
 CHARCOAL COLOR  
 FASTENERS.....304 SS  
 OUTPUT SHAFT.....416 SS  
 TERMINAL STRIP - STANDARD - AWG 14  
 WIRED FOR LIGHT INDICATION  
 SWITCHES - 15A, 1/2 HP 125 - 250 VAC  
 0.5A, 125 VDCz  
 LOCK ROTOR AMPS.....0.75 AMP  
 LUBRICATION.....PERMANENT  
 OPERATING TEMP. RANGE -40°F TO 150°F  
 MOUNTING.....IDS 5211/F05  
 WEIGHT.....7.1 lbs.

UNCONTROLLED DRAWING

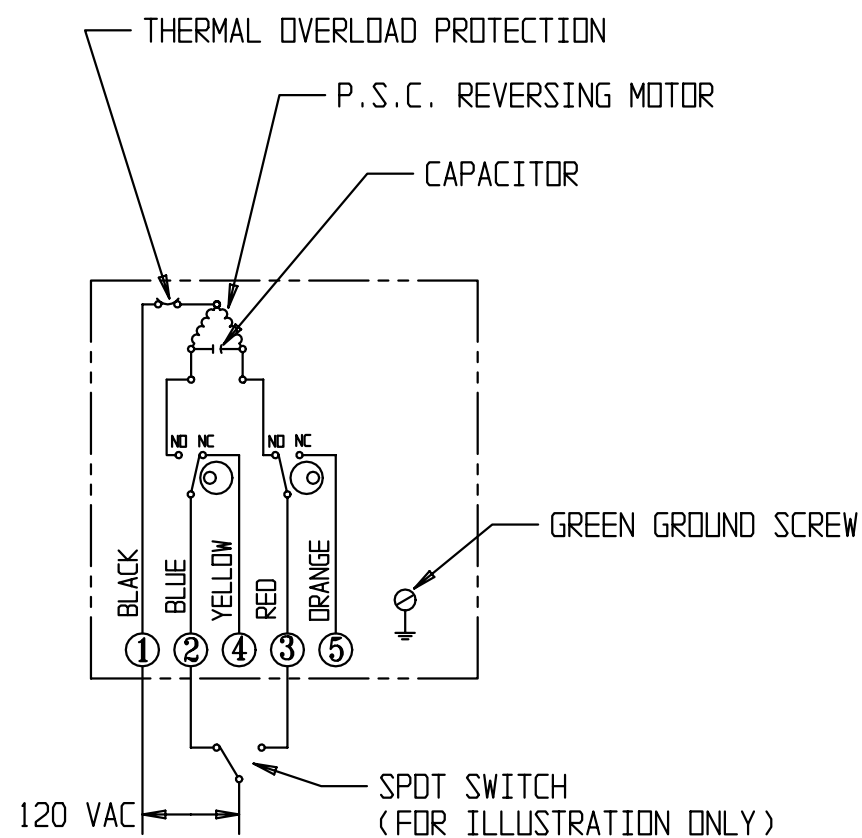
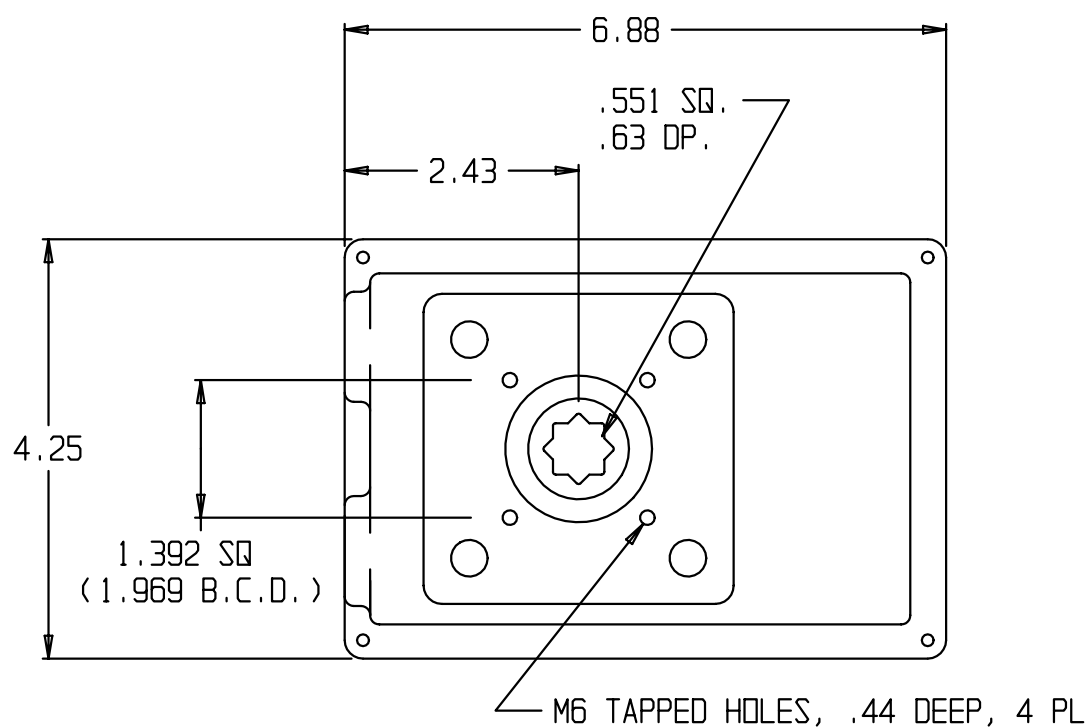
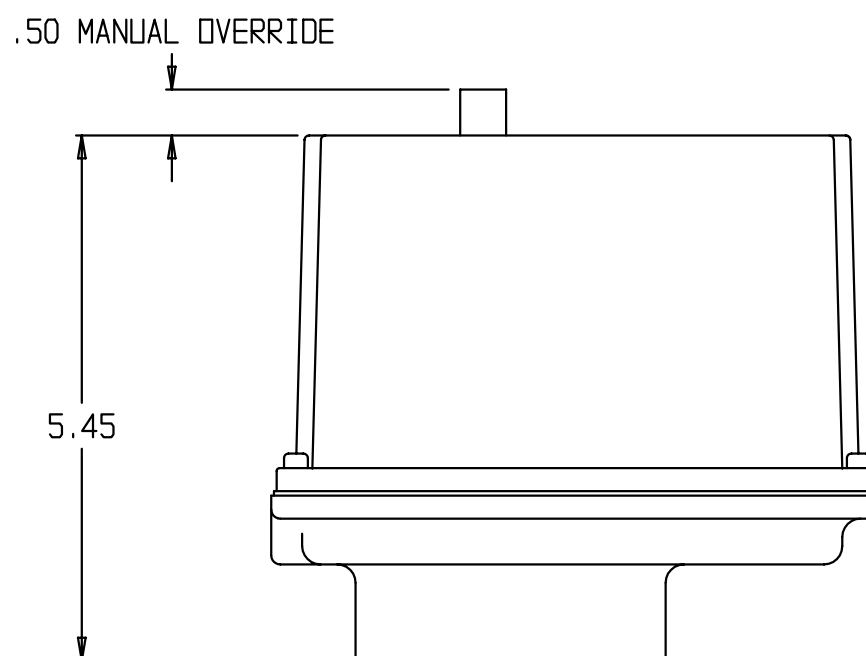
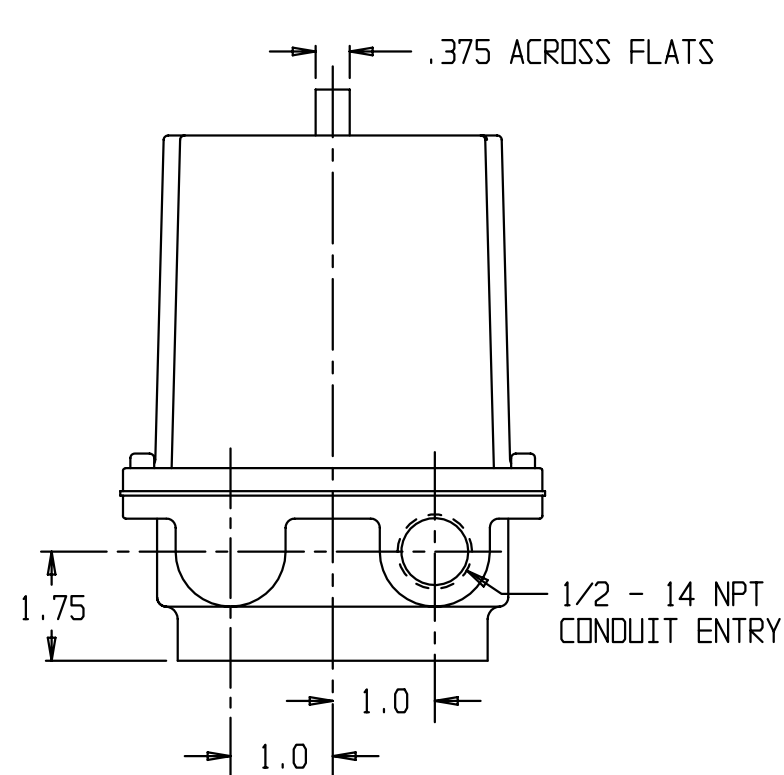
THIS PRINT IS THE PROPERTY OF DYNAQUIP CONTROLS AND SHALL NOT BE COPIED, REPRODUCED, LOANED, OR DISPOSED OF DIRECTLY OR INDIRECTLY, NOR USED FOR ANY PURPOSE OTHER THAN THAT FOR WHICH IT IS SPECIFICALLY FURNISHED EXCEPT BY WRITTEN PERMISSION OF DYNAQUIP CONTROLS. IV-MA

NO. AE205-ACT FILE NO. SLIB005

TITLE ELECTRIC ACTUATOR AE-205

DR	DATE	CH'KD	DATE	ENGR	DATE
KBS	04-06-01	LJH	04-06-01	LJH	04-06-01





ACTUATOR SHOWN IN OPEN POSITION

SPECIFICATIONS

OUTPUT TORQUE.....300 IN LBS  
 CYCLE TIME.....5 SEC/90°  
 DUTY CYCLE.....25%  
 MOTOR.....115VAC 50/60Hz  
   1 Ph - REVERSING  
 THERMAL OVERLOAD PROTECTION STANDARD  
 ENCLOSURE.....NEMA 4  
                   MATERIAL - CAST ALUMINUM  
                   COATING - POLYESTER URETHANE  
   CHARCOAL COLOR  
 FASTENERS.....304 SS  
 OUTPUT SHAFT.....416 SS  
 TERMINAL STRIP - STANDARD - AWG 14  
                   WIRED FOR LIGHT INDICATION  
 SWITCHES - 15A, 1/2 HP 125 - 250 VAC  
                   0.5A, 125 VDCz  
 LOCK ROTOR AMPS.....0.99 AMP  
 LUBRICATION.....PERMANENT  
 OPERATING TEMP. RANGE -40°F TO 150°F  
 MOUNTING.....IOS 5211/F05  
 WEIGHT.....7.1 lbs.

**UNCONTROLLED  
DRAWING**

Data is for general information only, and is subject to change without notice.

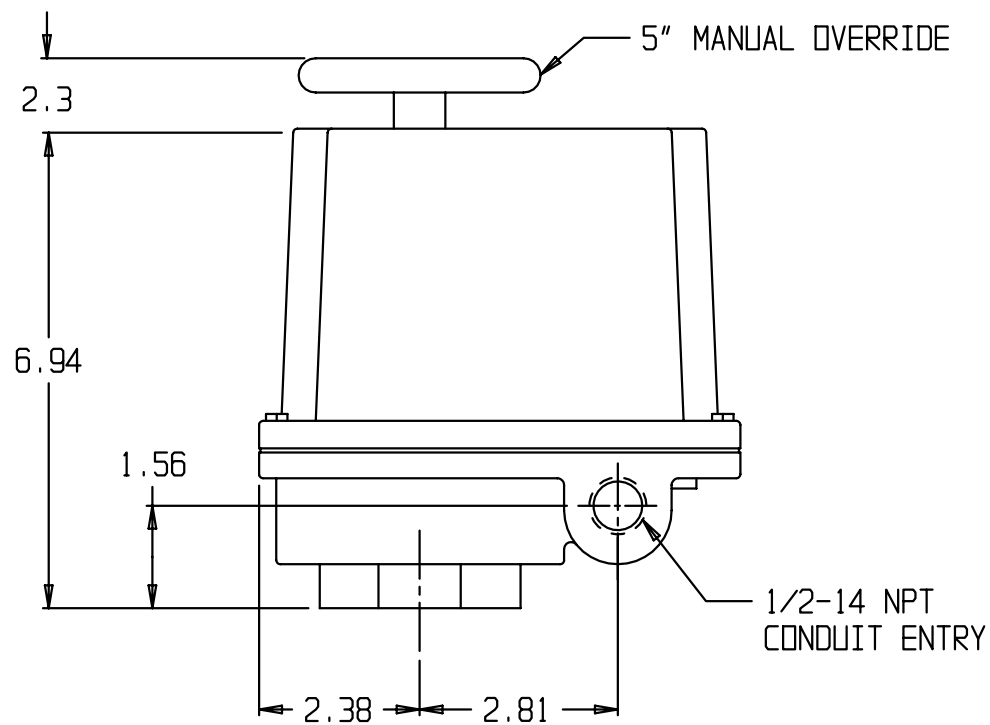
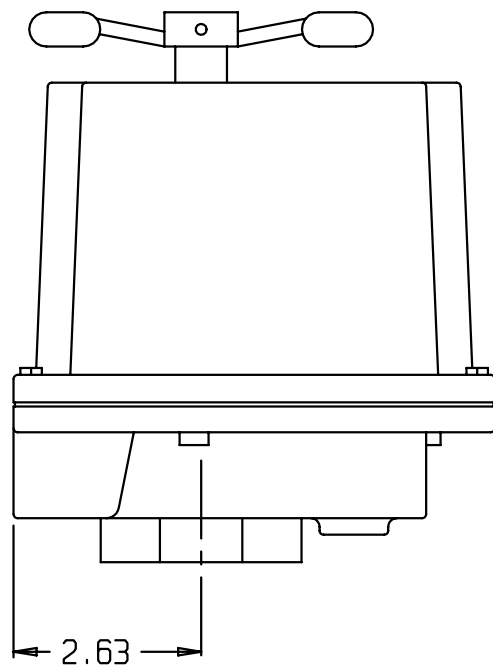
NO. AE305-ACT FILE NO. SLB093

TITLE  
ELECTRIC ACTUATOR  
AE305

DR	DATE	CH'KD	DATE	ENGR	DATE
KBS	04-06-01	LJH	08-12-98	LJH	08-12-98

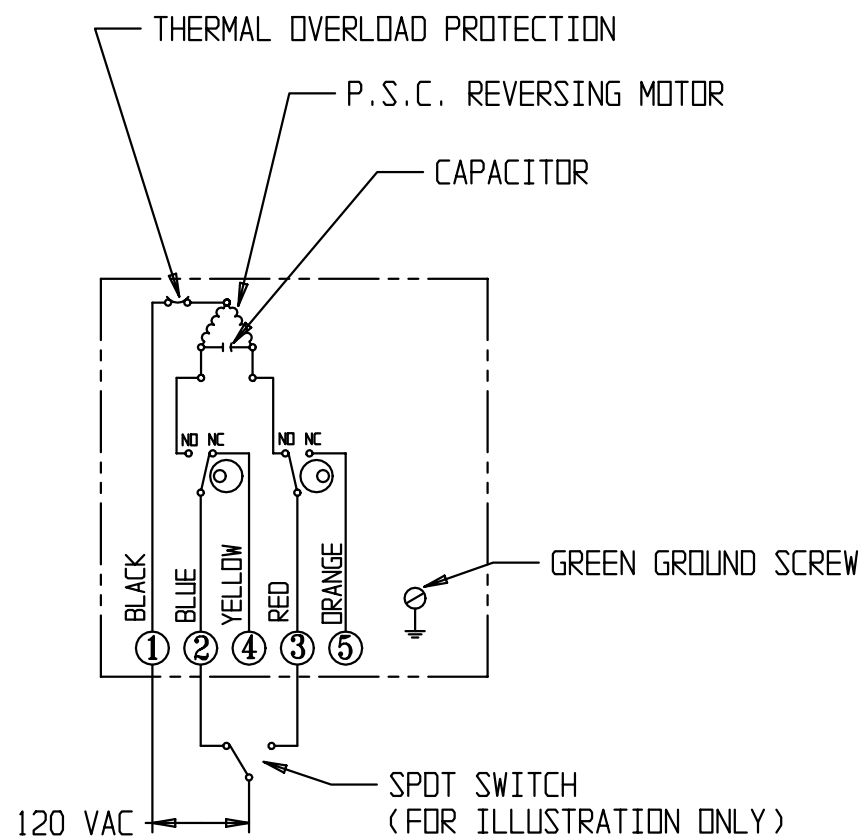
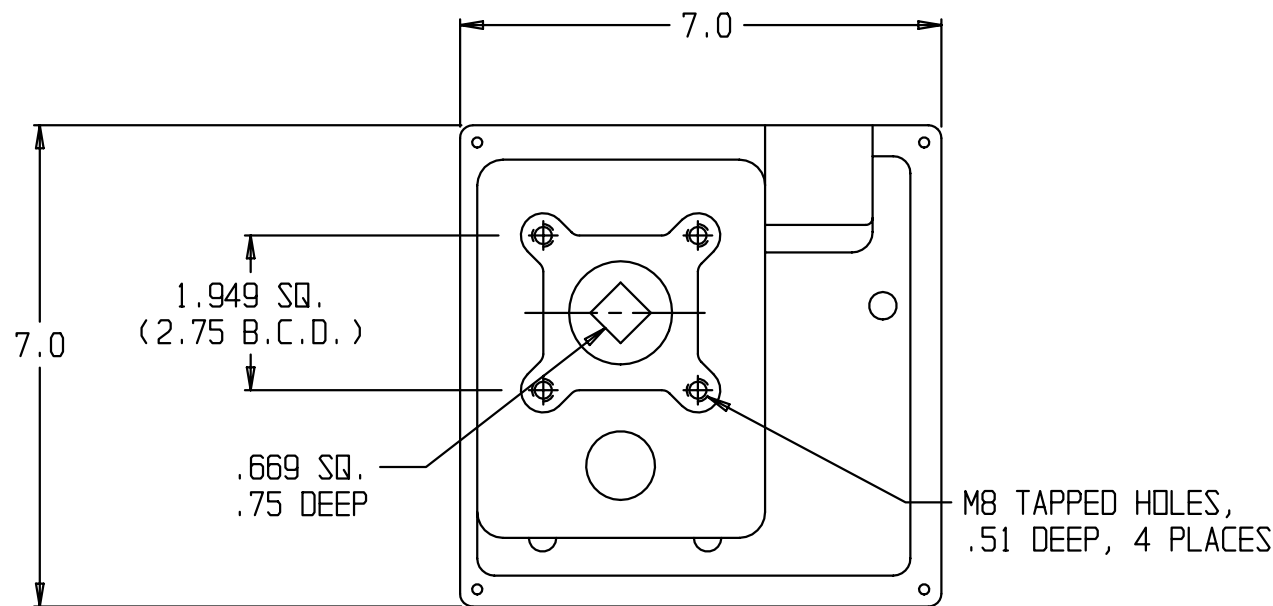






**SPECIFICATIONS**

OUTPUT TORQUE.....675 IN. LBS  
 CYCLE TIME.....15 SEC/90°  
 DUTY CYCLE.....25%  
 MOTOR.....115VAC 50/60Hz  
   1 Ph - REVERSING  
 THERMAL OVERLOAD PROTECTION STANDARD  
 ENCLOSURE.....NEMA 4  
   MATERIAL - CAST ALUMINUM  
   COATING - POLYESTER URETHANE  
   CHARCOAL COLOR  
 FASTENERS.....304 SS  
 OUTPUT SHAFT......416 SS  
 TERMINAL STRIP - STANDARD - AWG 14  
   WIRED FOR LIGHT INDICATION  
 SWITCHES - 15A. 1/2 HP 125 - 250 VAC  
   0.5A, 125 VDCz  
 LOCK ROTOR AMPS.....0.75 AMP  
 LUBRICATION.....PERMANENT  
 OPERATING TEMP. RANGE -40°F TO 150°F  
 MOUNTING.....ISO 5211/F07



ACTUATOR SHOWN IN OPEN POSITION

**UNCONTROLLED DRAWING**

THIS PRINT IS THE PROPERTY OF DYNAQUIP CONTROLS AND SHALL NOT BE COPIED, REPRODUCED, LOANED, OR DISPOSED OF DIRECTLY OR INDIRECTLY, NOR USED FOR ANY PURPOSE OTHER THAN THAT FOR WHICH IT IS SPECIFICALLY FURNISHED EXCEPT BY WRITTEN PERMISSION OF DYNAQUIP CONTROLS. IV-MA

<b>NO.</b> AE675-ACT		<b>FILE NO.</b> SUB006	
<b>TITLE</b> ELECTRIC ACTUATOR AE675			
<b>DR</b> TAP	<b>DATE</b> 08-11-98	<b>CH'KD</b>	<b>DATE</b>
<b>ENGR</b>	<b>DATE</b>		

