

MODEL	PHS21AJD01	PHS23AJD01	PHS24AJD02	PHS25AJD02	PHS27AJD03	PHS28AJD06	PHS2AAJD08
ACTUATOR	AP10DA	AP10DA	AP20DA	AP20DA	AP30DA	AP73DA	AP148DA
SIZE	1/4 NPT	1/2 NPT	3/4 NPT	1 NPT	1 1/2 NPT	2 NPT	3 NPT
A	1.97	2.95	3.15	3.54	4.72	5.51	7.56
B	1.32	1.38	1.78	2.01	2.95	3.77	5.50
C	0.45	0.59	0.79	0.98	1.50	2.00	3.14
D	1.31	1.38	1.63	1.75	2.17	2.62	4.02
E	4.81	4.88	5.45	5.57	6.54	7.57	10.47
F	4.65	4.65	5.26	5.26	5.53	7.20	8.77
G	2.61	2.61	2.82	2.82	3.23	3.90	4.72
H	3.50	3.50	3.82	3.82	4.37	4.95	6.45
MAX. Δ PSI	500 CWP	500 CWP	500 CWP	500 CWP	300 CWP	300 CWP	300 CWP
WT. LBS	1.55	1.77	3.36	3.83	7.23	12.51	34.38

VALVE DATA

BODY/END CAP	ASTM A351 GR. CF8M (316 SS)
STEM	316 STAINLESS STEEL
BALL	316 STAINLESS STEEL
SEATS	RTFE (CARBON)
THRUSTWASHER	PTFE
STEM SEAL	PTFE / VITON O-RING

UNCONTROLLED DRAWING

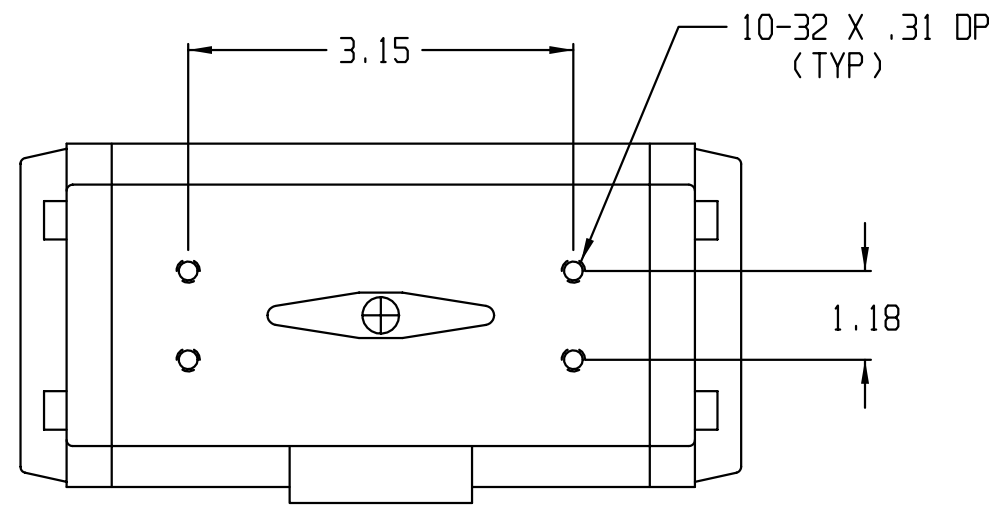
THIS PRINT IS THE PROPERTY OF DYNAQUIP CONTROLS AND SHALL NOT BE COPIED, REPRODUCED, LOANED, OR DISPOSED OF DIRECTLY OR INDIRECTLY, NOR USED FOR ANY PURPOSE OTHER THAN THAT FOR WHICH IT IS SPECIFICALLY FURNISHED EXCEPT BY WRITTEN PERMISSION OF DYNAQUIP CONTROLS.

NO. VHS2 SERIES FILE NO. SUB119.1

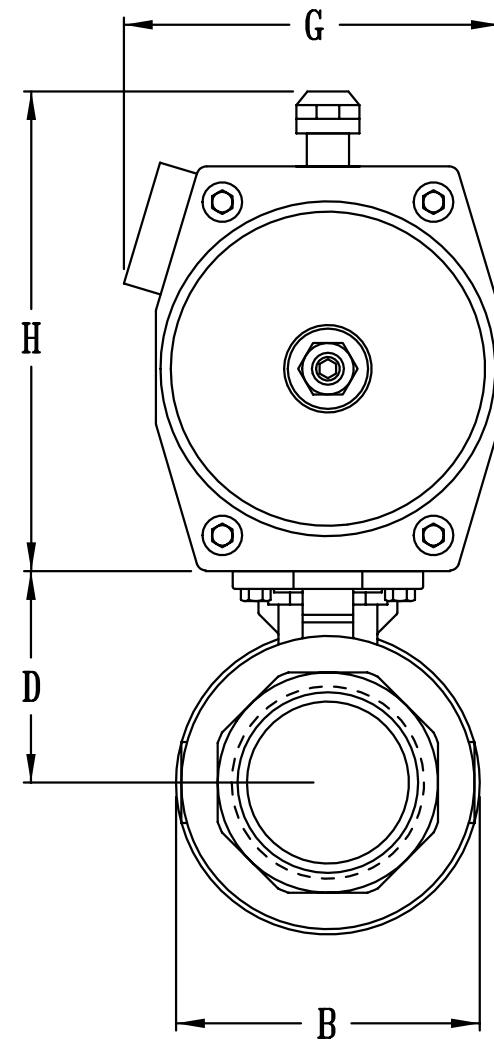
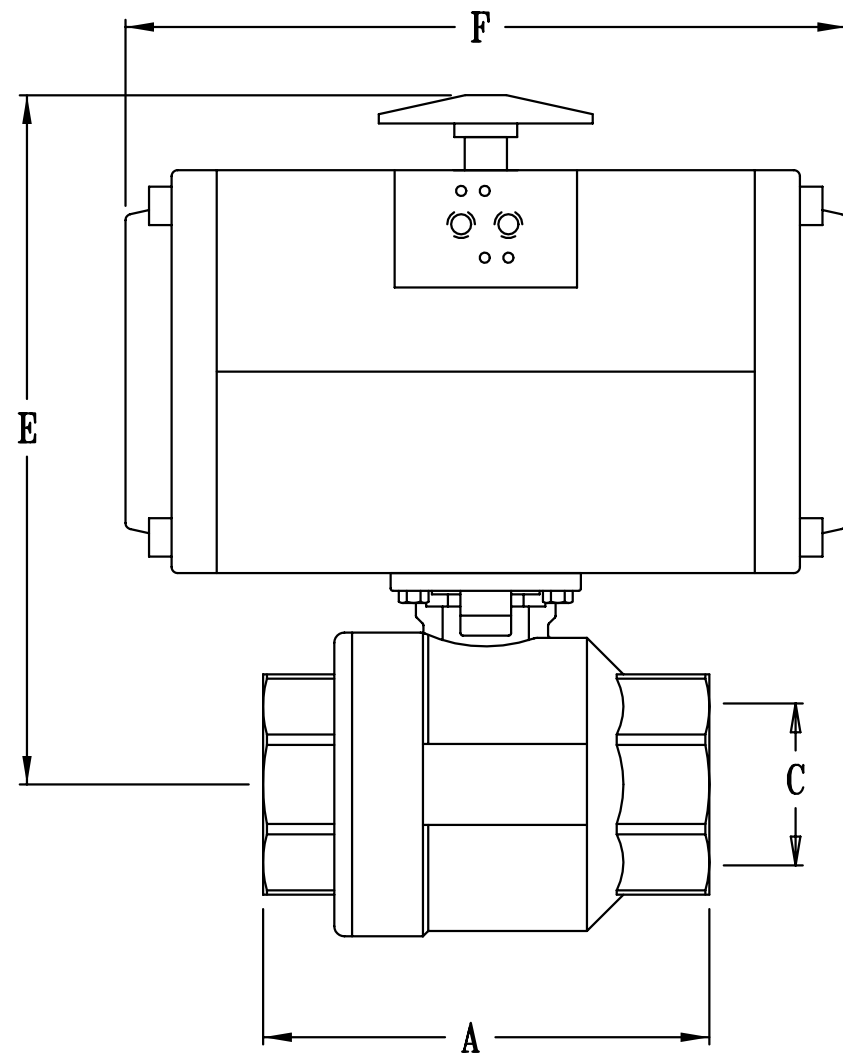
TITLE
BALL VALVE
316 SS - FULL PORT - NPT
AP-DA ACTUATOR

DR	DATE	CH'KD	DATE	ENGR	DATE
FBA	06-30-05	LJH	09-15-04	LJH	09-15-04





MODEL	PHS21AJS012F	PHS23AJS023F	PHS24AJS024F	PHS25AJS034F	PHS27AJS053F	PHS28AJS084F	PHS2AAJS104F
ACTUATOR	AP10SR2F	AP20SR3F	AP20SR4F	AP30SR4F	AP52SR3F	AP148SR4F	AP295SR4F
SIZE	1/4 NPT	1/2 NPT	3/4 NPT	1 NPT	1 1/2 NPT	2 NPT	3 NPT
A	1.97	2.95	3.15	3.54	4.72	5.51	7.56
B	1.32	1.38	1.78	2.01	2.95	3.77	5.50
C	0.45	0.59	0.79	0.98	1.50	2.00	3.14
D	1.31	1.38	1.63	1.75	2.17	2.62	4.02
E	4.81	5.20	5.45	6.12	7.01	9.07	11.53
F	4.65	5.26	5.26	5.53	6.38	8.77	11.75
G	2.61	2.82	2.82	3.23	3.73	4.72	5.39
H	3.50	3.82	3.82	4.37	4.84	6.45	7.51
MAX. Δ PSI	500 CWP	500 CWP	500 CWP	500 CWP	300 CWP	300 CWP	300 CWP
WT. LBS	1.55	2.77	3.38	4.85	8.55	17.60	42.80



VALVE DATA

BODY/END CAP	ASTM A351 GR. CF8M (316 SS)
STEM	316 STAINLESS STEEL
BALL	316 STAINLESS STEEL
SEATS	RTFE (CARBON)
THRUSTWASHER	PTFE
STEM SEAL	PTFE / VITON O-RING

UNCONTROLLED DRAWING

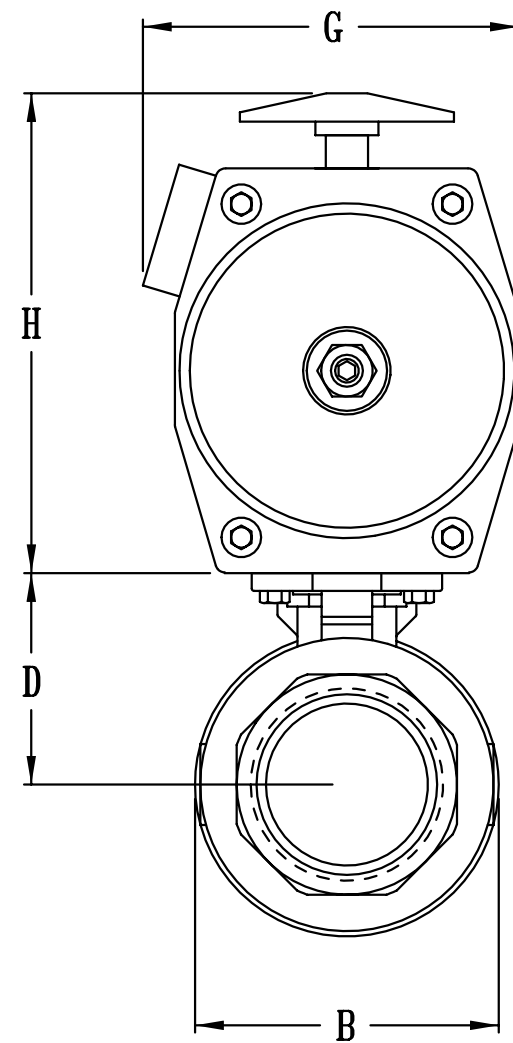
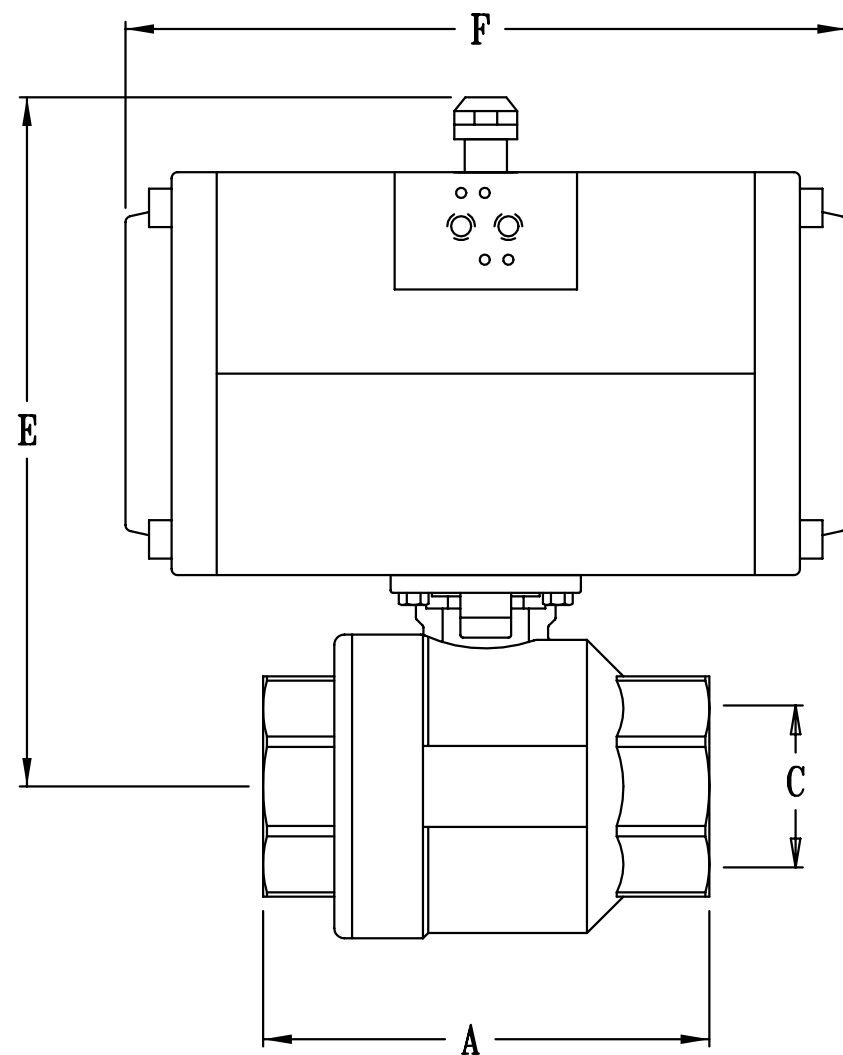
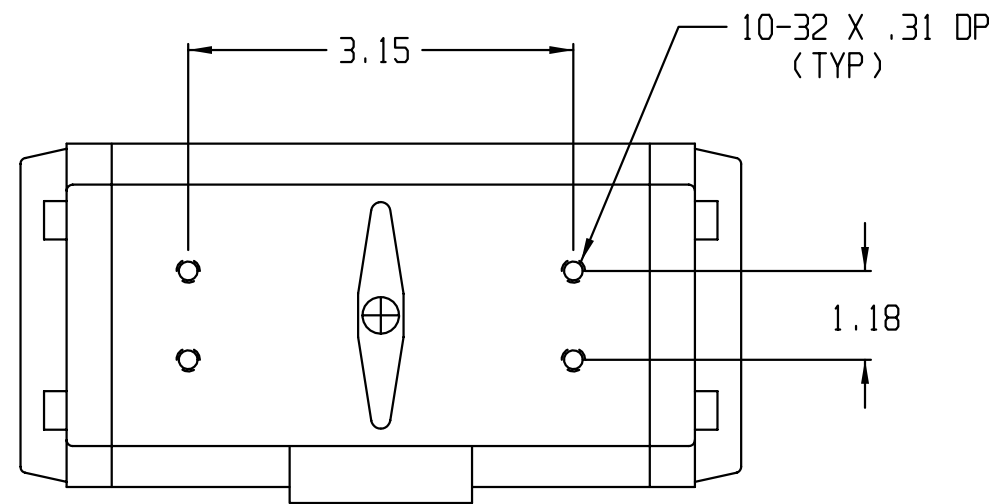
THIS PRINT IS THE PROPERTY OF DYNAQUIP CONTROLS AND SHALL NOT BE COPIED, REPRODUCED, LOANED, OR DISPOSED OF DIRECTLY OR INDIRECTLY, NOR USED FOR ANY PURPOSE OTHER THAN THAT FOR WHICH IT IS SPECIFICALLY FURNISHED EXCEPT BY WRITTEN PERMISSION OF DYNAQUIP CONTROLS.

NO. VHS2 SERIES FILE NO. SUB135.1

TITLE
BALL VALVE
316 SS - FULL PORT - NPT
AP-SR NO ACTUATOR

DR	DATE	CH' KD	DATE	ENGR	DATE
FBA	06-30-05	LJH	09-15-04	LJH	09-15-04





MODEL	PHS21AJS012	PHS23AJS022	PHS24AJS034	PHS25AJS034	PHS27AJS064	PHS28AJS075	PHS2AAJS105
ACTUATOR	AP10SR2	AP20SR2	AP30SR4	AP30SR4	AP73SR4	AP103SR5	AP295SR5
SIZE	1/4 NPT	1/2 NPT	3/4 NPT	1 NPT	1 1/2 NPT	2 NPT	3 NPT
A	1.97	2.95	3.15	3.54	4.72	5.51	7.56
B	1.32	1.38	1.78	2.01	2.95	3.77	5.50
C	0.45	0.59	0.79	0.98	1.50	2.00	3.14
D	1.31	1.38	1.63	1.75	2.17	2.62	4.02
E	4.81	5.20	6.00	6.12	7.12	8.17	11.53
F	4.65	5.26	5.53	5.53	7.20	8.30	11.75
G	2.61	2.82	3.23	3.23	3.90	4.40	5.39
H	3.50	3.82	4.37	4.37	4.95	5.55	7.51
MAX. Δ PSI	500 CWP	500 CWP	500 CWP	500 CWP	300 CWP	300 CWP	300 CWP
WT. LBS	1.55	2.77	4.38	4.85	9.77	14.40	42.80

VALVE DATA

BODY/END CAP	ASTM A351 GR. CF8M (316 SS)
STEM	316 STAINLESS STEEL
BALL	316 STAINLESS STEEL
SEATS	RTFE (CARBON)
THRUSTWASHER	PTFE
STEM SEAL	PTFE / VITON O-RING

UNCONTROLLED DRAWING

THIS PRINT IS THE PROPERTY OF DYNAQUIP CONTROLS AND SHALL NOT BE COPIED, REPRODUCED, LOANED, OR DISPOSED OF DIRECTLY OR INDIRECTLY, NOR USED FOR ANY PURPOSE OTHER THAN THAT FOR WHICH IT IS SPECIFICALLY FURNISHED EXCEPT BY WRITTEN PERMISSION OF DYNAQUIP CONTROLS.

NO. VHS2 SERIES FILE NO. SUB120.1

TITLE
BALL VALVE
316 SS - FULL PORT - NPT
AP-SR NC ACTUATOR

DR	DATE	CH'KD	DATE	ENGR	DATE
FBA	06-30-05	LJH	09-15-04	LJH	09-15-04

