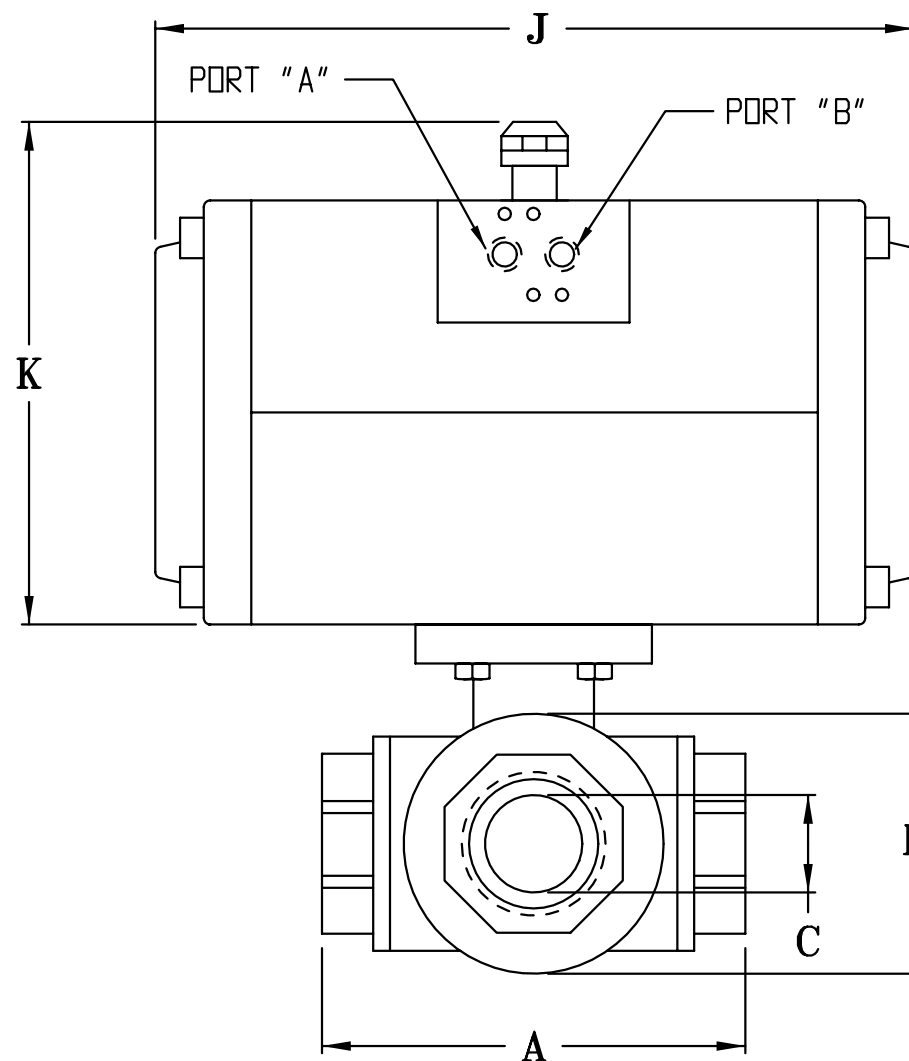
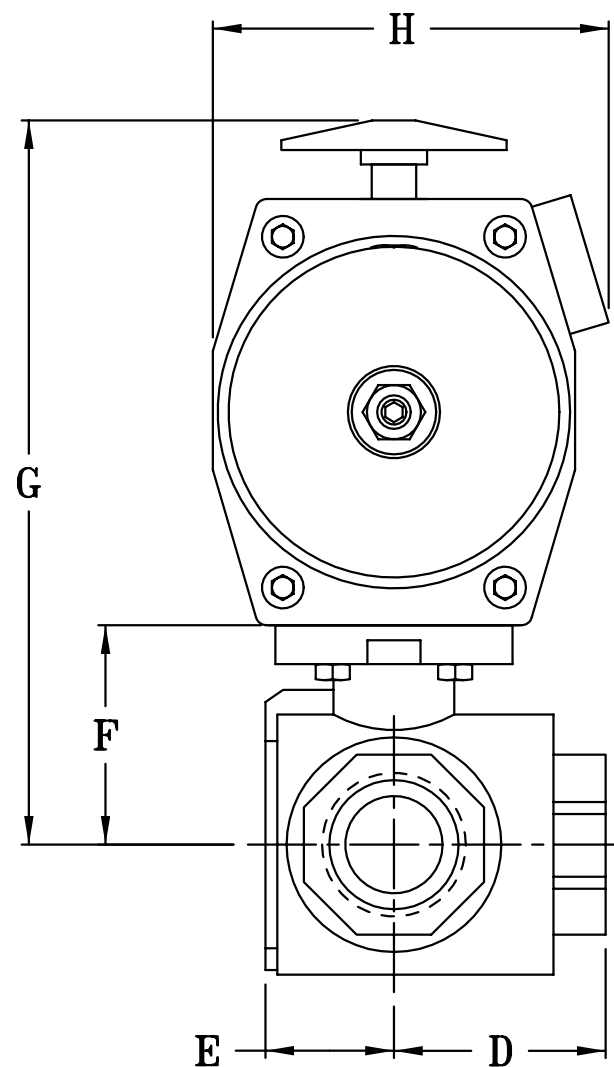
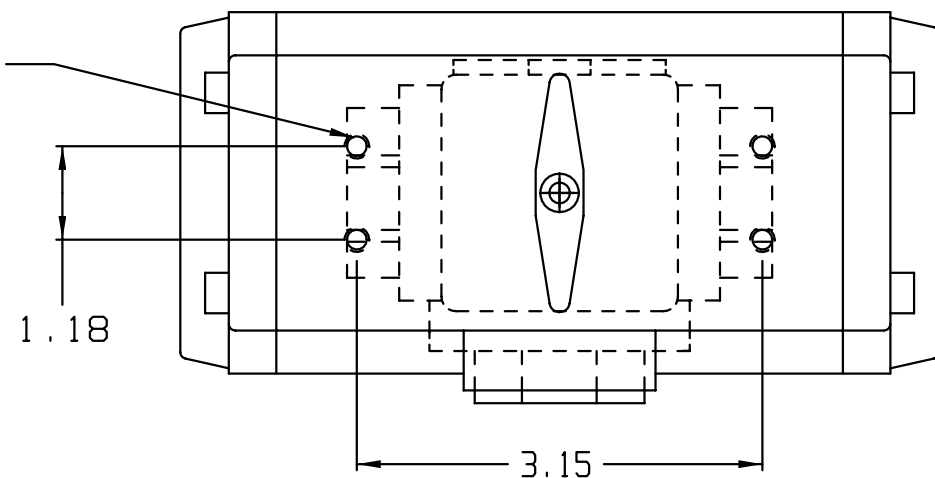


10-32 X .31 DP
(TYP)



MODEL	PYSA3AJD02	PYSA4AJD02	PYSA5AJD05	PYSA7AJD07	PYSA8AJD08
ACTUATOR	AP20DA	AP20DA	AP52DA	AP103DA	AP148DA
SIZE	1/2 NPT	3/4 NPT	1 NPT	1 1/2 NPT	2 NPT
A	3.14	3.77	4.37	5.67	6.68
B	1.73	2.08	2.58	3.65	4.61
C	0.59	0.79	1.00	1.50	2.00
D	1.57	1.89	2.18	2.84	3.34
E	0.86	1.20	1.27	1.83	2.25
F	1.60	1.91	2.14	2.89	3.63
G	5.42	5.73	6.98	8.44	10.08
H	2.82	2.82	3.94	4.40	4.72
J	5.26	5.26	6.38	8.30	8.77
K	3.82	3.82	4.84	5.55	6.45
MAX. ΔPSI	300 CWP	300 CWP	300 CWP	300 CWP	300 CWP
WT. LBS	3.98	5.30	9.88	19.60	33.40

VALVE DATA

BODY/END CAP	ASTM A351 GR CF8M
STEM	STAINLESS STEEL - 316
BALL	STAINLESS STEEL - 316
SEATS	PTFE +15% GLASS FILLED
THRUST WASHER	P.E.E.K. FOOD GRADE
STEM SEAL	PTFE/VITON O-RINGS

NOTE:

ROTATION: (FROM TOP VIEW)

PRESSURIZED PORT "A" PRODUCES CCW ROTATION (CENTER TO RIGHT)
PRESSURIZED PORT "B" PRODUCES CW ROTATION (CENTER TO LEFT)

UNCONTROLLED DRAWING

THIS PRINT IS THE PROPERTY OF DYNAQUIP CONTROLS AND SHALL NOT BE COPIED, REPRODUCED, LOANED, OR DISPOSED OF DIRECTLY OR INDIRECTLY, NOR USED FOR ANY PURPOSE OTHER THAN THAT FOR WHICH IT IS SPECIFICALLY FURNISHED EXCEPT BY WRITTEN PERMISSION OF DYNAQUIP CONTROLS.

NO. VYSA SERIES

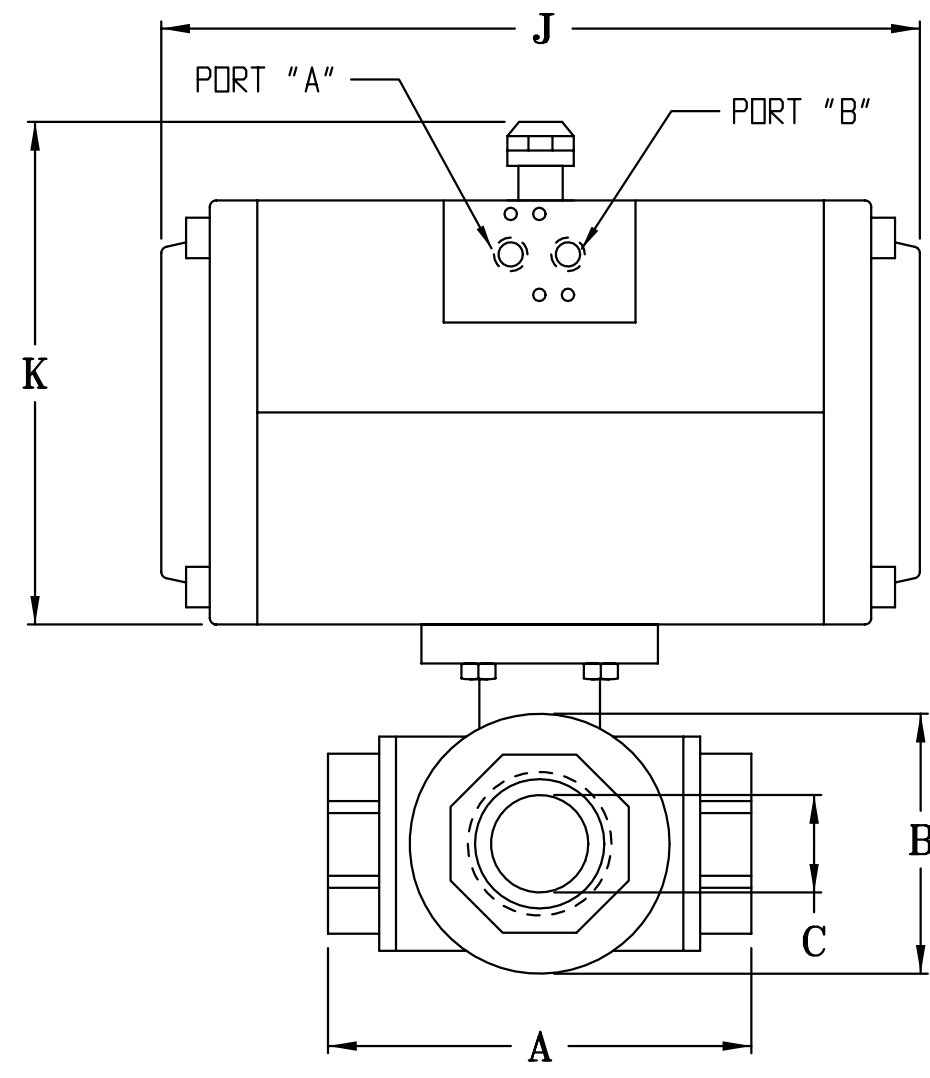
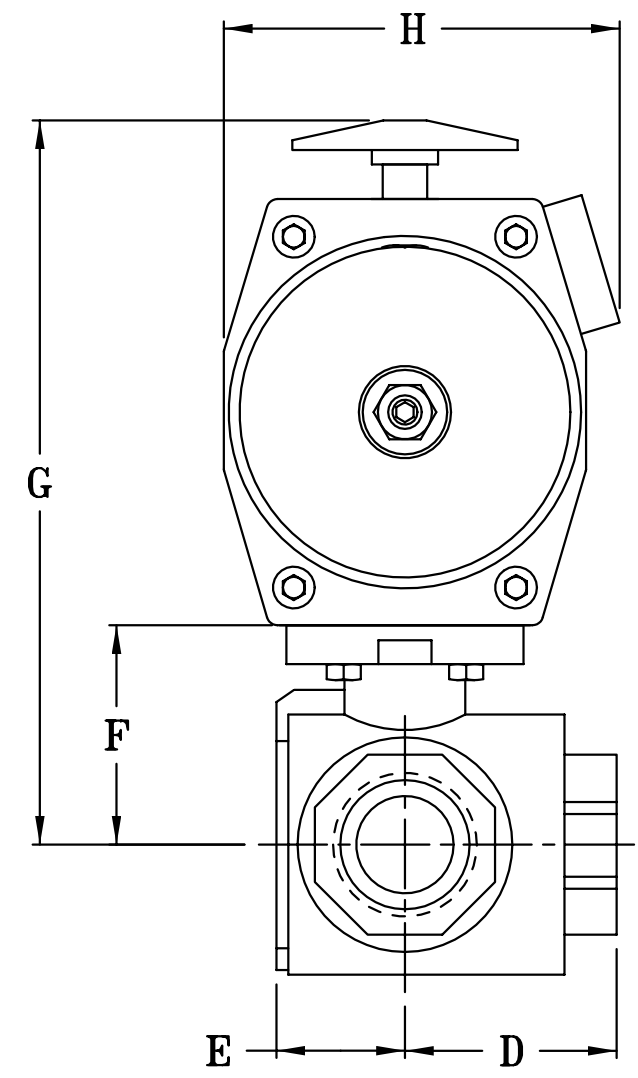
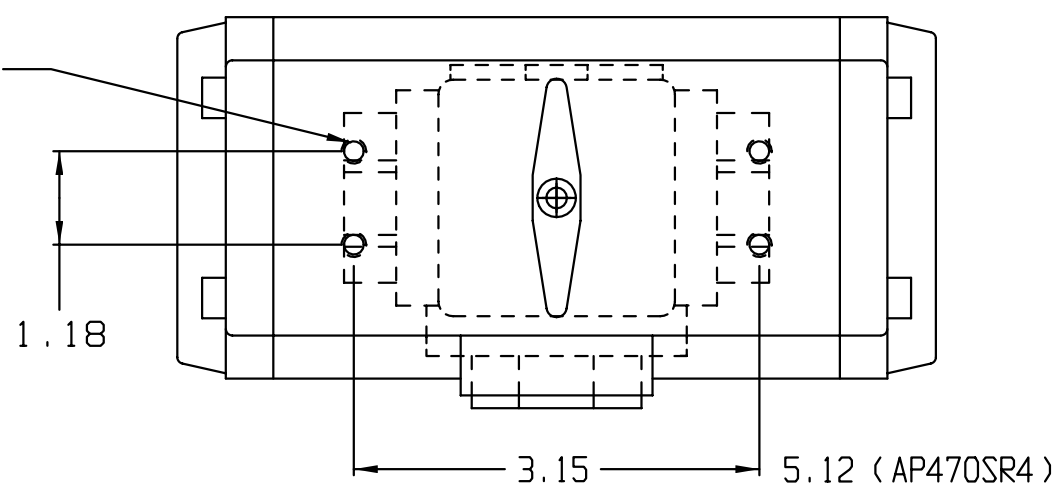
FILE NO.
SUB121.1

TITLE
BALL VALVE
3-WAY SS - L PORT - NPT
AP-DA ACTUATOR

DR	DATE	CH' KD	DATE	ENGR	DATE
FBA	07-05-05	LJH	09-20-05	LJH	09-20-05



10-32 X .31 DP
(TYP)



MODEL	PYSA3AJS044	PYSA4AJS054	PYSA5AJS074	PYSA7AJS094	PYSA8AJS114
ACTUATOR	AP34SR4	AP52SR4	AP103SR4	AP222SR4	AP470SR4
SIZE	1/2 NPT	3/4 NPT	1 NPT	1 1/2 NPT	2 NPT
A	3.14	3.77	4.37	5.67	6.68
B	1.73	2.08	2.58	3.65	4.61
C	0.59	0.79	1.00	1.50	2.00
D	1.57	1.89	2.18	2.84	3.34
E	0.86	1.20	1.27	1.83	2.25
F	1.60	1.91	2.14	2.89	3.63
G	5.97	6.75	7.69	9.60	13.33
H	3.23	3.73	4.40	4.72	6.77
J	5.53	6.38	8.30	11.52	13.27
K	4.37	4.84	5.55	6.71	9.70
MAX. Δ PSI	300 CWP	300 CWP	300 CWP	300 CWP	300 CWP
WT. LBS	4.98	7.70	12.78	27.20	53.20

VALVE DATA

BODY/END CAP	ASTM A351 GR CF8M
STEM	STAINLESS STEEL - 316
BALL	STAINLESS STEEL - 316
SEATS	PTFE +15% GLASS FILLED
THRUST WASHER	P.E.E.K. FOOD GRADE
STEM SEAL	PTFE/VITON O-RINGS

NOTE:

ROTATION: (FROM TOP VIEW)
PRESSURIZED PORT "A" PRODUCES CCW ROTATION (CENTER TO RIGHT)

UNCONTROLLED DRAWING

THIS PRINT IS THE PROPERTY OF DYNAQUIP CONTROLS AND SHALL NOT BE COPIED, REPRODUCED, LOANED, OR DISPOSED OF DIRECTLY OR INDIRECTLY, NOR USED FOR ANY PURPOSE OTHER THAN THAT FOR WHICH IT IS SPECIFICALLY FURNISHED EXCEPT BY WRITTEN PERMISSION OF DYNAQUIP CONTROLS.

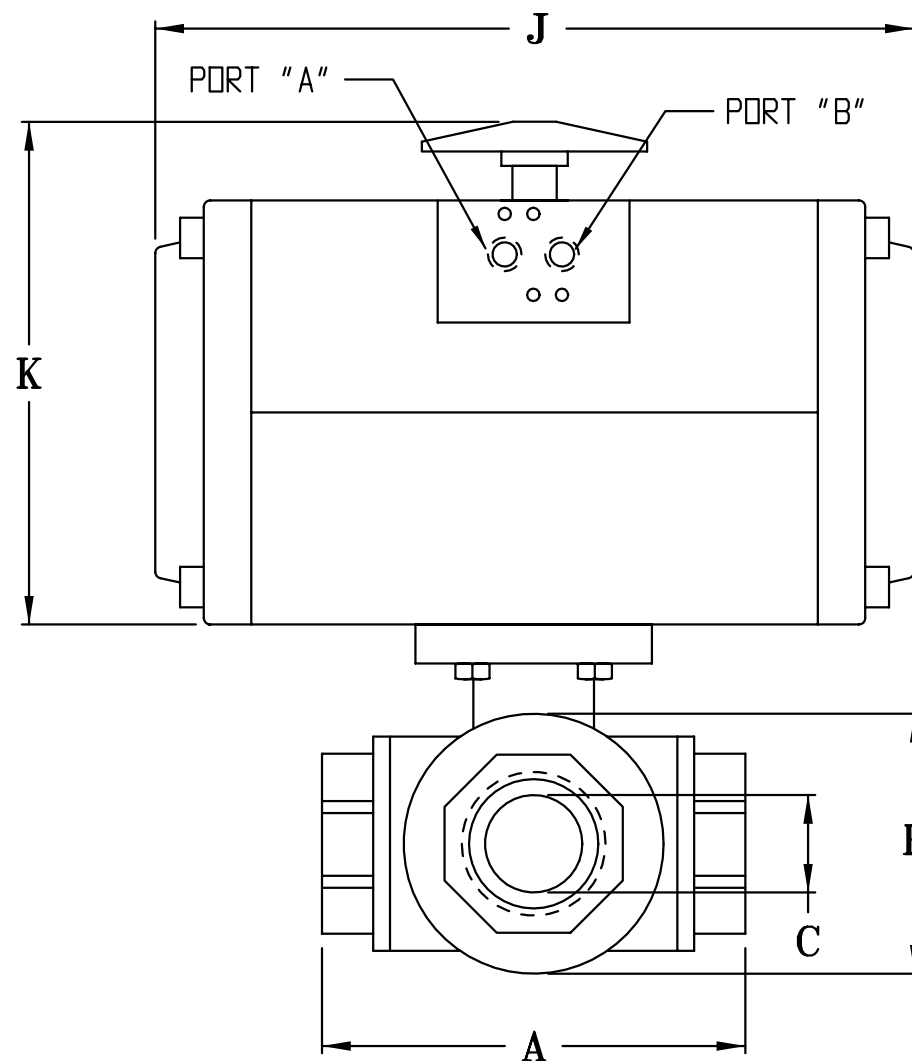
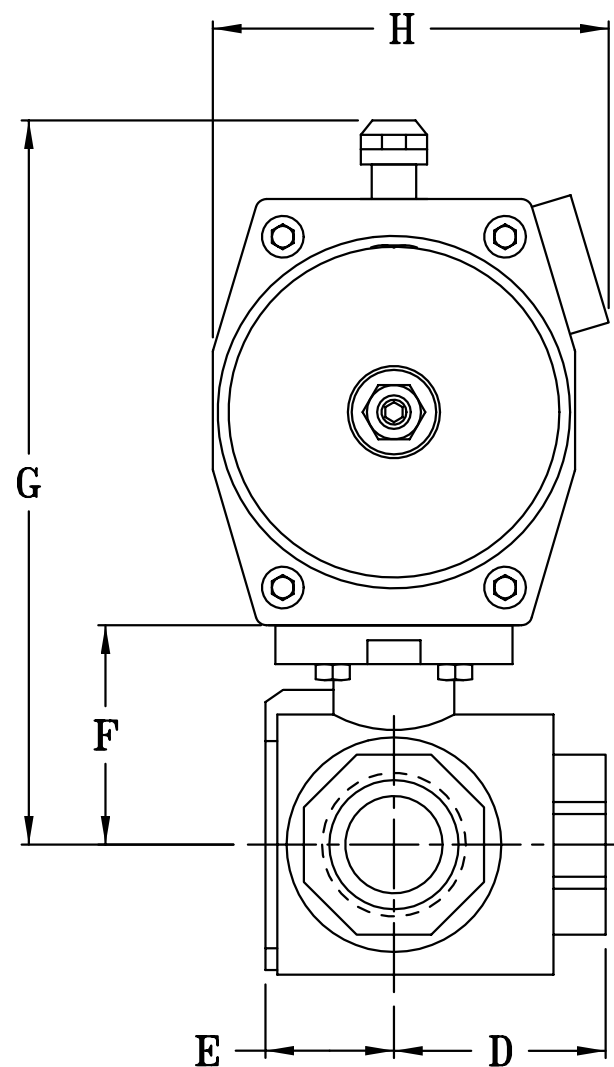
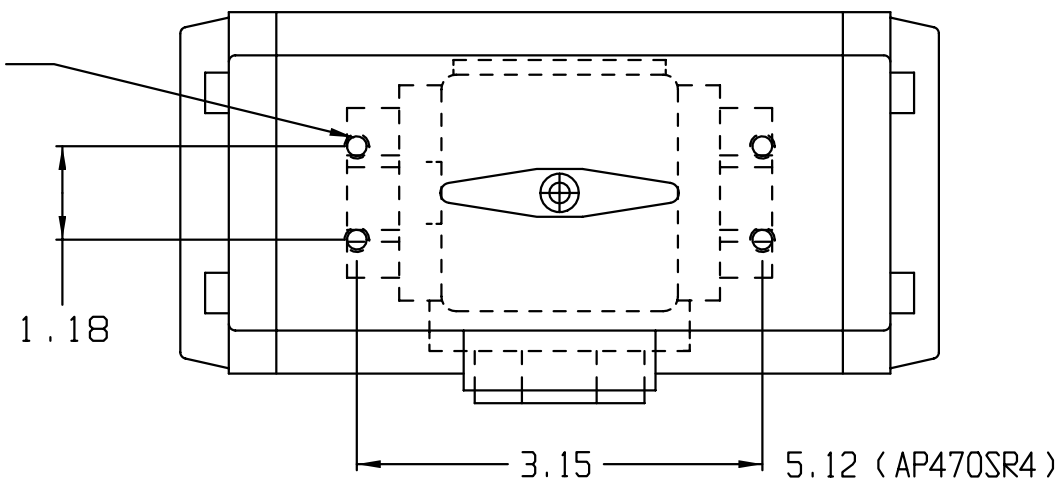
NO. VYSA SERIES FILE NO. SUB127.1

TITLE
BALL VALVE
3-WAY SS - L PORT - NPT
AP-SR NC ACTUATOR

DR	DATE	CH'KD	DATE	ENGR	DATE
FBA	07-06-05	LJH	09-20-05	LJH	09-20-05



10-32 X .31 DP
(TYP)



MODEL	PYSA3AJS044F	PYSA4AJS054F	PYSA5AJS074F	PYSA7AJS094F	PYSA8AJS114F
ACTUATOR	AP34SR4F	AP52SR4F	AP103SR4F	AP222SR4F	AP470SR4F
SIZE	1/2 NPT	3/4 NPT	1 NPT	1 1/2 NPT	2 NPT
A	3.14	3.77	4.37	5.67	6.68
B	1.73	2.08	2.58	3.65	4.61
C	0.59	0.79	1.00	1.50	2.00
D	1.57	1.89	2.18	2.84	3.34
E	0.86	1.20	1.27	1.83	2.25
F	1.60	1.91	2.14	2.89	3.63
G	5.97	6.75	7.69	9.60	13.33
H	3.23	3.73	4.40	4.72	6.77
J	5.53	6.38	8.30	11.52	13.27
K	4.37	4.84	5.55	6.71	9.70
MAX. ΔPSI	300 CWP	300 CWP	300 CWP	300 CWP	300 CWP
WT. LBS	4.98	7.70	12.78	27.20	53.20

VALVE DATA

BODY/END CAP	ASTM A351 GR CF8M
STEM	STAINLESS STEEL - 316
BALL	STAINLESS STEEL - 316
SEATS	PTFE +15% GLASS FILLED
THRUST WASHER	P.E.E.K. FOOD GRADE
STEM SEAL	PTFE/VITON O-RINGS

NOTE:

ROTATION: (FROM TOP VIEW)
PRESSURIZED PORT "A" PRODUCES CW ROTATION (CENTER TO LEFT)

**UNCONTROLLED
DRAWING**

THIS PRINT IS THE PROPERTY OF DYNAQUIP CONTROLS AND SHALL NOT BE COPIED, REPRODUCED, LOANED, OR DISPOSED OF DIRECTLY OR INDIRECTLY, NOR USED FOR ANY PURPOSE OTHER THAN THAT FOR WHICH IT IS SPECIFICALLY FURNISHED EXCEPT BY WRITTEN PERMISSION OF DYNAQUIP CONTROLS.

NO. VYSA SERIES FILE NO. SLB140

TITLE
BALL VALVE
3-WAY SS - L PORT - NPT
AP-SR NO ACTUATOR

DR	DATE	CH'KD	DATE	ENGR	DATE
FBA	07-06-05	LJH	09-20-05	LJH	09-20-05

