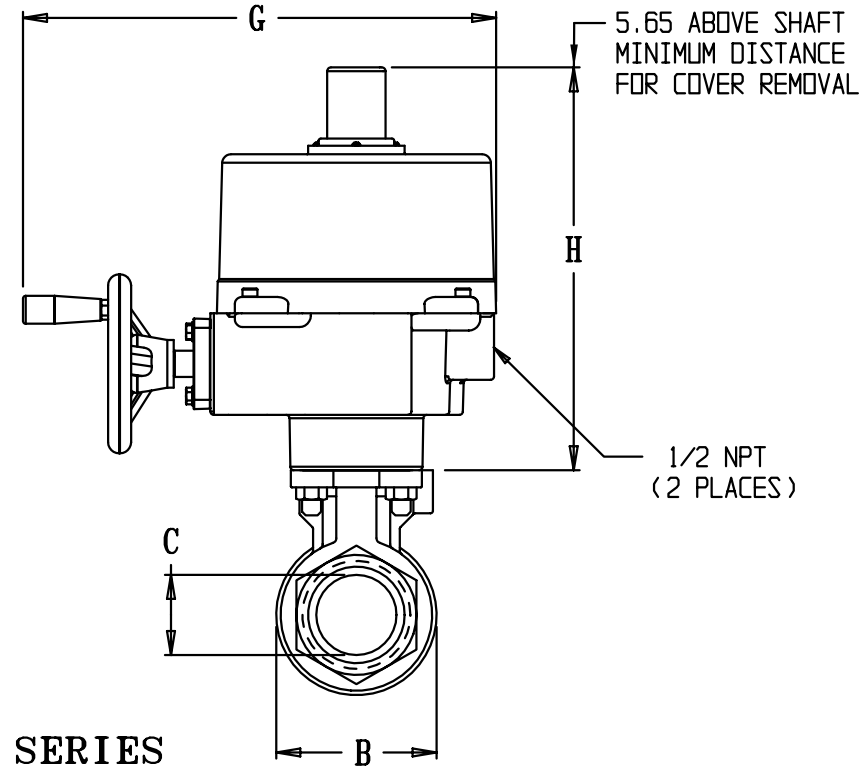
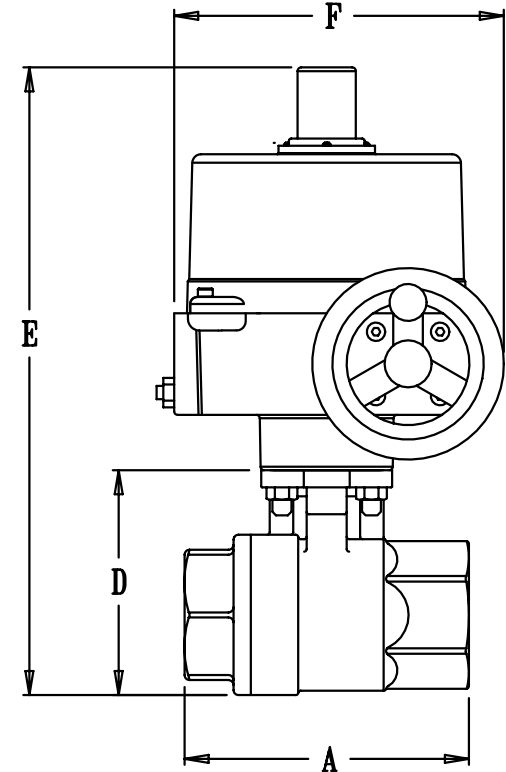
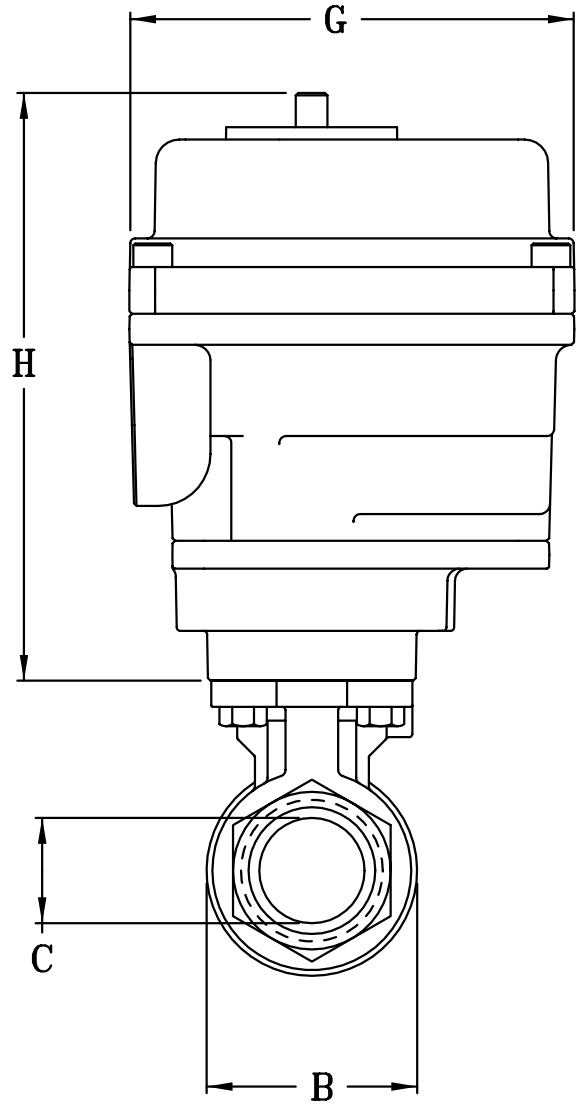
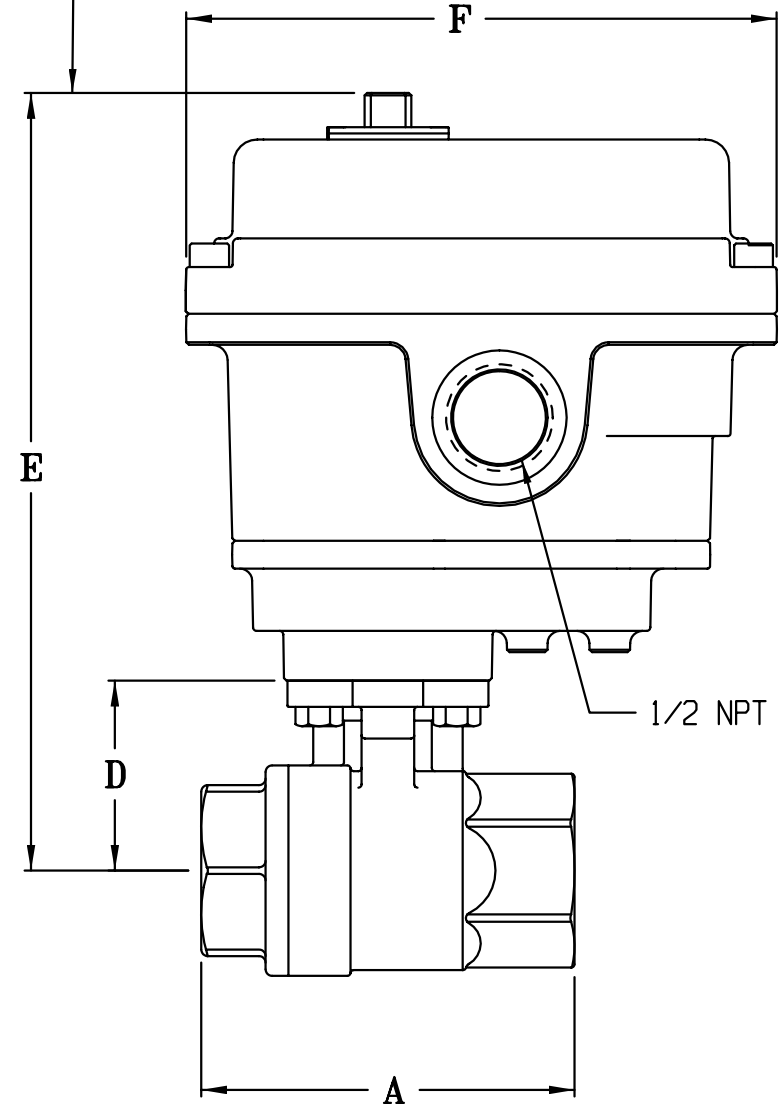


MODEL	EHS21AJE20	EHS23AJ320	EHS24AJE21	EHS25AJE21	EHS27AJE25	EHS28AJE01	EHS2AAJE02
ACTUATOR	DE153	DE153	DE154	DE154	DE305	MA7	MA13
SIZE	1/4 NPT	1/2 NPT	3/4 NPT	1 NPT	1 1/2 NPT	2 NPT	3 NPT
A	1.97	2.95	3.15	3.54	4.72	5.51	7.56
B	1.32	1.38	1.78	2.01	2.95	3.77	5.50
C	0.45	0.59	0.79	0.98	1.50	2.00	3.14
D	1.31	1.38	1.63	1.75	2.17	2.62	4.02
E	6.03	6.10	6.35	6.47	7.54	12.66	14.06
F	4.75	4.75	4.75	4.75	4.75	7.87	7.87
G	3.58	3.58	3.58	3.58	3.58	13.00	13.00
H	4.72	4.72	4.72	4.72	5.37	10.04	10.04
MAX. ΔPSI	500 CWP	500 CWP	500 CWP	500 CWP	300 CWP	300 CWP	300 CWP
WT. LBS	4.25	4.47	5.08	5.55	8.15	27.00	43.80

1.78 ABOVE SHAFT  
MINIMUM DISTANCE  
FOR COVER REMOVAL



MA SERIES

**VALVE DATA**

BODY/END CAP	ASTM A351 GR. CF8M (316 SS)
STEM	316 STAINLESS STEEL
BALL	316 STAINLESS STEEL
SEATS	RTFE (CARBON)
THRUSTWASHER	PTFE
STEM SEAL	PTFE / VITON O-RING

MODEL NO. VOLTAGE CODE  
EHS2XAJEXXY

CODE (SUFFIX)  
BLANK = 115VAC  
B = 240VAC  
H = 12 - 24 VAC/VDC (DE)

**UNCONTROLLED  
DRAWING**

THIS PRINT IS THE PROPERTY OF DYNAQUIP CONTROLS AND SHALL NOT BE COPIED, REPRODUCED, LOANED, OR DISPOSED OF DIRECTLY OR INDIRECTLY, NOR USED FOR ANY PURPOSE OTHER THAN THAT FOR WHICH IT IS SPECIFICALLY FURNISHED EXCEPT BY WRITTEN PERMISSION OF DYNAQUIP CONTROLS.

**NO. VHS2 SERIES** FILE NO. SUB126.3

TITLE  
**BALL VALVE  
316 SS - FULL PORT - NPT  
ELECTRIC ACTUATOR**

DR	DATE	CH'KD	DATE	ENGR	DATE
LJH	09-16-05	LJH	09-16-05	LJH	09-16-05

