

MODEL	ACTUATOR	VALVE SIZE	A	B	C	D	E	F	G
60F11302D31	APU30DA	2	10.75	3.23	5.53	4.37	4.00	6.38	1.75
60F11325D31	APU30DA	2.5	11.25	3.23	5.53	4.37	4.75	6.88	1.88
60F11303D32	APU52DA	3	11.97	3.73	6.38	4.84	5.13	7.13	1.88
60F11304D33	APU73DA	4	12.83	3.90	7.20	4.95	6.75	7.88	2.13
60F11305D34	APU103DA	5	13.93	4.40	8.30	5.55	7.75	8.38	2.25
60F11306D35	APU148DA	6	14.43	4.72	8.77	5.55	8.63	8.88	2.25
60F11308D36	APU222DA	8	16.96	4.72	11.52	6.71	10.56	10.25	2.50
60F11310D37	APU295DA	10	19.01	5.39	11.75	7.51	13.06	11.50	2.75
60F11312D38	APU470DA	12	22.95	6.77	13.27	9.70	16.00	13.25	3.13

BUTTERFLY VALVE  
SERIES 600169700

BODY: CAST IRON WAFER STYLE  
DISC: NICKEL PLATED DUCTILE IRON  
STEM: TYPE 416 STAINLESS STEEL  
SEAT: BLACK NITRILE (SANITARY BUANA)

ACTUATOR OPERATION - 80 PSIG CLEAN LUBRICATED AIR  
MAXIMUM 150 PSIG

**UNCONTROLLED  
DRAWING**

THIS PRINT IS THE PROPERTY  
OF DYNAQUIP CONTROLS AND  
SHALL NOT BE COPIED,  
REPRODUCED, LOANED,  
OR DISPOSED OF DIRECTLY  
OR INDIRECTLY, NOR USED  
FOR ANY PURPOSE OTHER THAN  
THAT FOR WHICH IT IS  
SPECIFICALLY FURNISHED  
EXCEPT BY WRITTEN  
PERMISSION OF  
DYNAQUIP CONTROLS.

**NO. 600 - ACT AP/DA**

**FILE NO.  
SUB129**

**TITLE**

**BUTTERFLY VALVE  
600 WAFER SERIES  
PNEUMATIC DA ACTUATOR**

**DR**

LJH

**DATE**

09-12-05

**CH'KD**

LJH

**DATE**

04-15-04

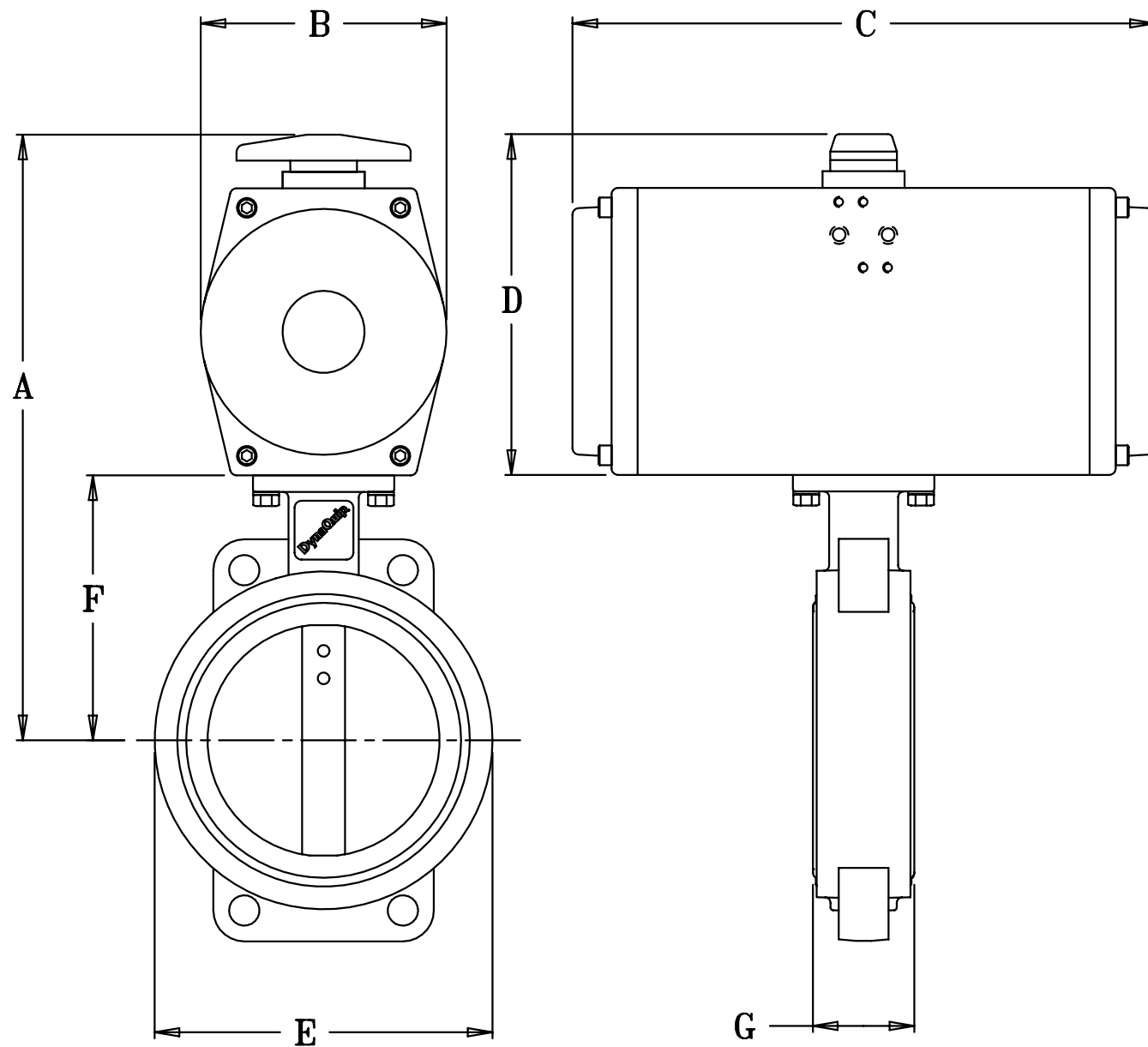
**ENGR**

LJH

**DATE**

04-15-04





MODEL	ACTUATOR	VALVE SIZE	A	B	C	D	E	F	G
60F11302S315	APU30SR5	2	10.75	3.23	5.53	4.37	4.00	6.38	1.75
60F11325S324	APU52SR4	2.5	11.72	3.73	6.38	4.84	4.75	6.88	1.88
60F11303S064	AP73SR4	3	12.08	3.90	7.20	4.95	5.13	7.13	1.88
60F11304S345	APU103SR5	4	13.43	4.40	8.30	5.55	6.75	7.88	2.13
60F11305S355	APU148SR5	5	14.83	4.72	8.77	6.45	7.75	8.38	2.25
60F11306S104	AP295SR4	6	16.39	5.39	11.75	7.51	8.63	8.88	2.25
60F11308S385	APU470SR5	8	19.95	6.77	13.27	9.70	10.56	10.25	2.50
60F11310S395	APU586SR5	10	21.20	6.77	14.49	9.70	13.06	11.50	2.75
60F11312S405	APU900SR5	12	25.02	8.82	16.62	11.77	16.00	13.25	3.13

BUTTERFLY VALVE  
SERIES 600169700

BODY: CAST IRON WAFER STYLE  
DISC: NICKEL PLATED DUCTILE IRON  
STEM: TYPE 416 STAINLESS STEEL  
SEAT: BLACK NITRILE (SANITARY BUINA N)

ACTUATOR OPERATION - 80 PSIG CLEAN LUBRICATED AIR  
MAXIMUM 150 PSIG

**UNCONTROLLED  
DRAWING**

THIS PRINT IS THE PROPERTY  
OF DYNAQUIP CONTROLS AND  
SHALL NOT BE COPIED,  
REPRODUCED, LOANED,  
OR DISPOSED OF DIRECTLY  
OR INDIRECTLY, NOR USED  
FOR ANY PURPOSE OTHER THAN  
THAT FOR WHICH IT IS  
SPECIFICALLY FURNISHED  
EXCEPT BY WRITTEN  
PERMISSION OF  
DYNAQUIP CONTROLS.

**NO. 600 - ACT AP/SR**

**FILE NO.  
SUB 130**

**TITLE**

**BUTTERFLY VALVE  
600 WAFER SERIES  
PNEUMATIC SR NC ACTUATOR**

**DR**

FBA

**DATE**

07-20-05

**CH'KD**

LJH

**DATE**

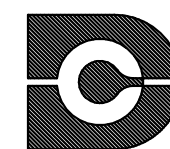
09-09-05

**ENGR**

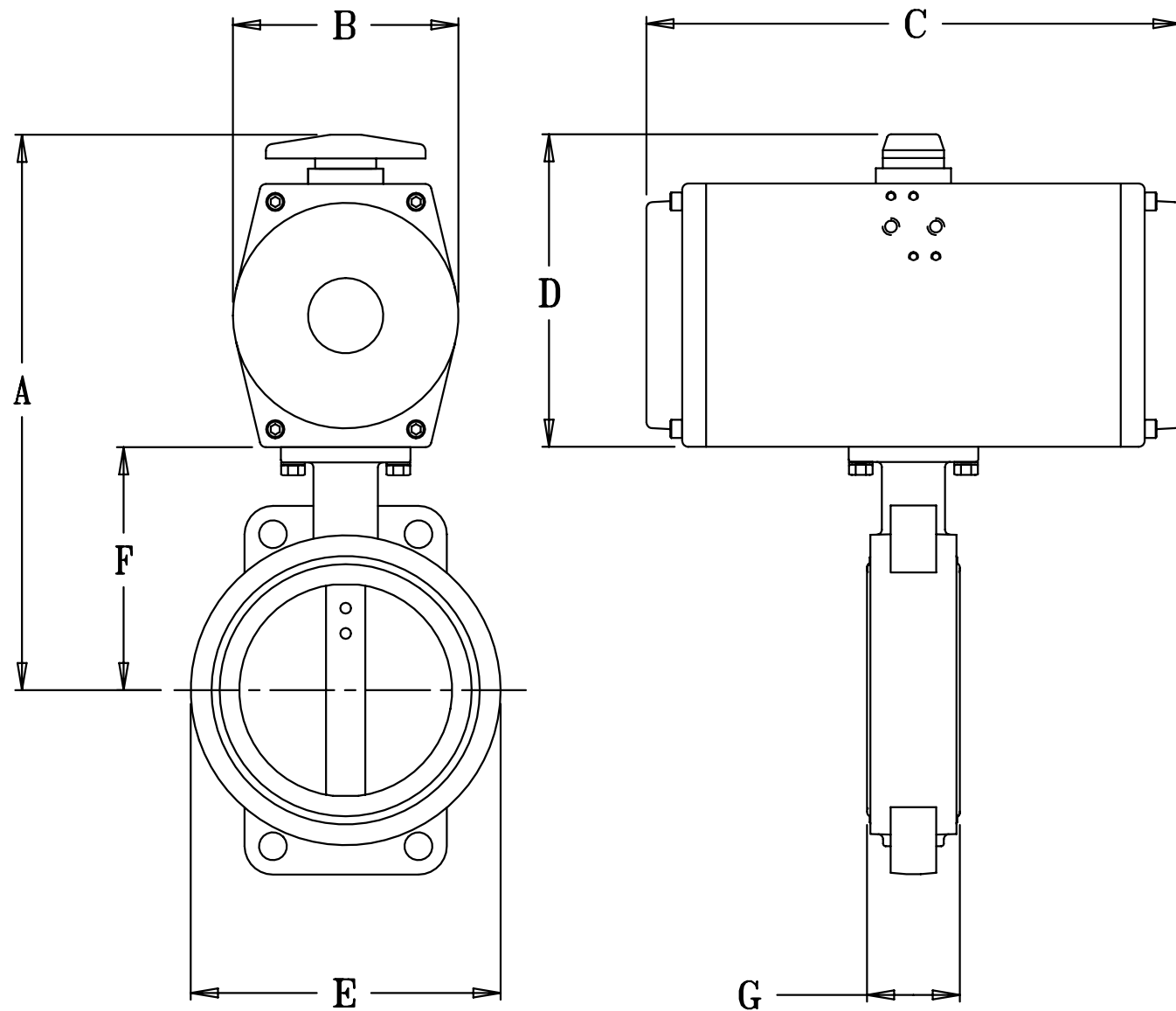
LJH

**DATE**

09-09-05



**DynaQuip  
Controls**



MODEL	ACTUATOR	VALVE SIZE	A	B	C	D	E	F	G
60F11302S314F	APL30SR4F	2	10.75	2.76	5.53	4.37	4.00	6.38	1.75
60F11325S324F	APL52SR4F	2.5	11.72	3.27	6.38	4.84	4.75	6.88	1.88
60F11303S064F	AP73SR4F	3	12.08	3.58	7.20	4.95	5.13	7.13	1.88
60F11304S344F	APL103SR4F	4	13.43	3.94	8.30	5.55	6.75	7.88	2.13
60F11305S354F	APL148SR4F	5	14.83	4.72	8.77	6.45	7.75	8.38	2.25
60F11306S104F	AP295SR4F	6	16.39	5.39	11.75	7.51	8.63	8.88	2.25
60F11308S384F	APL470SR4F	8	19.95	6.77	13.27	9.70	10.56	10.25	2.50
60F11310S394F	APL586SR4F	10	21.20	6.77	14.49	9.70	13.06	11.50	2.75
60F11312S404F	APL900SR4F	12	25.02	8.82	16.62	11.77	16.00	13.25	3.13

BUTTERFLY VALVE  
SERIES 600169700

BODY: CAST IRON WAFER STYLE  
DISC: NICKEL PLATED DUCTILE IRON  
STEM: TYPE 416 STAINLESS STEEL  
SEAT: BLACK NITRILE (SANITARY BUINA N)

ACTUATOR OPERATION - 80 PSIG CLEAN LUBRICATED AIR  
MAXIMUM 150 PSIG

**UNCONTROLLED  
DRAWING**

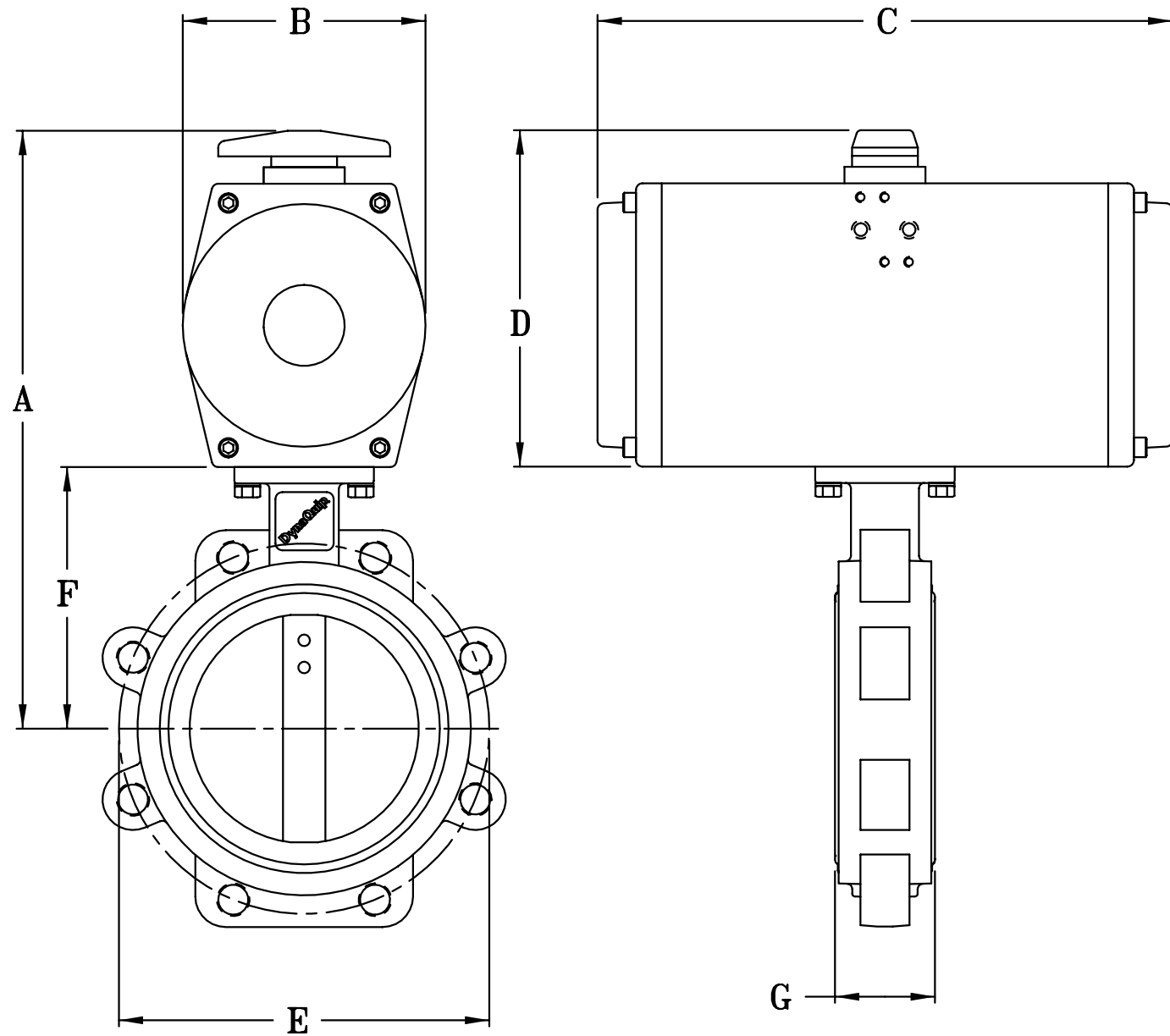
THIS PRINT IS THE PROPERTY  
OF DYNAQUIP CONTROLS AND  
SHALL NOT BE COPIED,  
REPRODUCED, LOANED,  
OR DISPOSED OF DIRECTLY  
OR INDIRECTLY, NOR USED  
FOR ANY PURPOSE OTHER THAN  
THAT FOR WHICH IT IS  
SPECIFICALLY FURNISHED  
EXCEPT BY WRITTEN  
PERMISSION OF  
DYNAQUIP CONTROLS.

**NO. 600 - ACT AP/SR** FILE NO.  
SUB 157

**TITLE**  
**BUTTERFLY VALVE**  
**600 WAFER SERIES**  
**PNEUMATIC SR NO ACTUATOR**

DR	DATE	CH'KD	DATE	ENGR	DATE
FBA	07-20-05	MJP	08-30-05	MJP	08-30-05





MODEL	ACTUATOR	VALVE SIZE	A	B	C	D	E	F	G
62F61302D31	APU30DA	2	10.75	3.23	5.53	4.37	4.75	6.38	1.75
62F61325D31	APU30DA	2.5	11.25	3.23	5.53	4.37	5.50	6.88	1.88
62F61303D32	APU52DA	3	11.97	3.73	6.38	4.84	6.00	7.13	1.88
62F61304D33	APU73DA	4	12.83	3.90	7.20	4.95	7.50	7.88	2.13
62F61305D34	APU103DA	5	13.93	4.40	8.30	5.55	8.50	8.38	2.25
62F61306D35	APU148DA	6	15.33	4.72	8.77	6.45	9.50	8.88	2.25
62F61308D36	APU222DA	8	16.96	4.72	11.52	6.71	11.75	10.25	2.50
62F61310D37	APU295DA	10	19.01	5.39	11.75	7.51	14.25	11.50	2.75
62F61312D38	APU470DA	12	22.95	6.77	13.27	9.70	17.00	13.25	3.13

BUTTERFLY VALVE  
SERIES 622182700

BODY: DUCTILE IRON LUG STYLE  
DISC: NICKEL PLATED DUCTILE IRON  
STEM: TYPE 416 STAINLESS STEEL  
SEAT: BLACK NITRILE (SANITARY BUANA)

ACTUATOR OPERATION - 80 PSIG CLEAN LUBRICATED AIR  
MAXIMUM 150 PSIG

**UNCONTROLLED  
DRAWING**

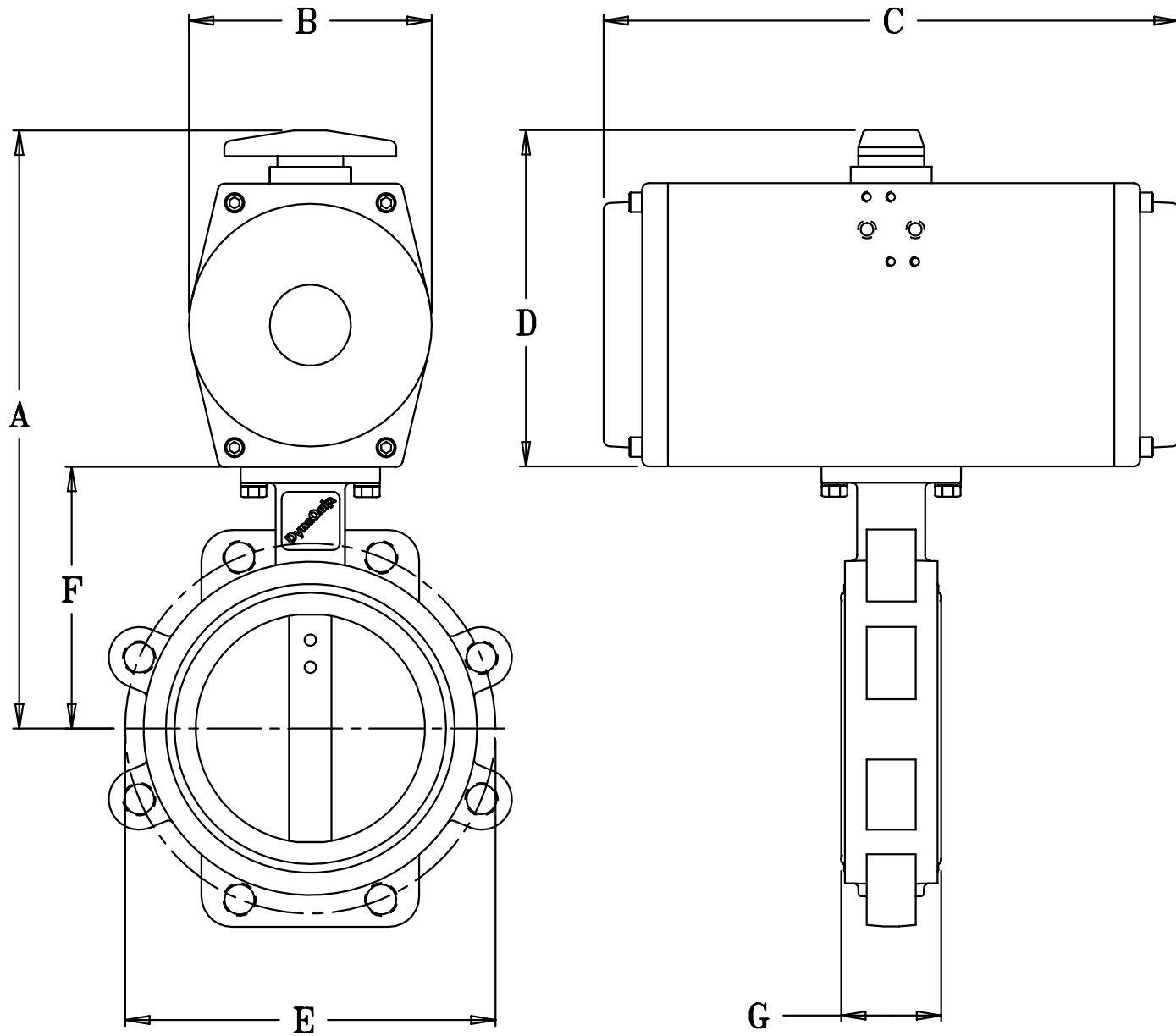
THIS PRINT IS THE PROPERTY OF DYNAQUIP CONTROLS AND SHALL NOT BE COPIED, REPRODUCED, LOANED, OR DISPOSED OF DIRECTLY OR INDIRECTLY, NOR USED FOR ANY PURPOSE OTHER THAN THAT FOR WHICH IT IS SPECIFICALLY FURNISHED EXCEPT BY WRITTEN PERMISSION OF DYNAQUIP CONTROLS.

**NO. 622 - ACT AP/DA** FILE NO. SUB132

**TITLE**  
**BUTTERFLY VALVE  
622 LUG SERIES  
PNEUMATIC DA ACTUATOR**

DR	DATE	CH'KD	DATE	ENGR	DATE
FBA	07-20-05	LJH	09-09-05	LJH	09-09-05





MODEL	ACTUATOR	VALVE SIZE	A	B	C	D	E	F	G
62F61302S315	APU30SR5	2	10.75	3.23	5.53	4.37	4.75	6.38	1.75
62F61325S324	APU52SR4	2.5	11.72	3.73	6.38	4.84	5.50	6.88	1.88
62F61303S064	AP73SR4	3	12.08	3.90	7.20	4.95	6.00	7.13	1.88
62F61304S345	APU103SR5	4	13.43	4.40	8.30	5.55	7.50	7.88	2.13
62F61305S355	APU148SR5	5	14.83	4.72	8.77	6.45	8.50	8.38	2.25
62F61306S104	AP295SR4	6	16.39	5.39	11.75	7.51	9.50	8.88	2.25
62F61308S385	APU470SR5	8	19.95	6.77	13.27	9.70	11.75	10.25	2.50
62F61310S395	APU586SR5	10	21.20	6.77	14.49	9.70	14.25	11.50	2.75
62F61312S405	APU900SR5	12	25.02	8.82	16.62	11.77	17.00	13.25	3.13

BUTTERFLY VALVE  
SERIES 622182700

BODY: DUCTILE IRON LUG STYLE  
DISC: NICKEL PLATED DUCTILE IRON  
STEM: TYPE 416 STAINLESS STEEL  
SEAT: BLACK NITRILE (SANITARY BUANA)

ACTUATOR OPERATION - 80 PSIG CLEAN LUBRICATED AIR  
MAXIMUM 150 PSIG

**UNCONTROLLED  
DRAWING**

THIS PRINT IS THE PROPERTY OF DYNAQUIP CONTROLS AND SHALL NOT BE COPIED, REPRODUCED, LOANED, OR DISPOSED OF DIRECTLY OR INDIRECTLY, NOR USED FOR ANY PURPOSE OTHER THAN THAT FOR WHICH IT IS SPECIFICALLY FURNISHED EXCEPT BY WRITTEN PERMISSION OF DYNAQUIP CONTROLS.

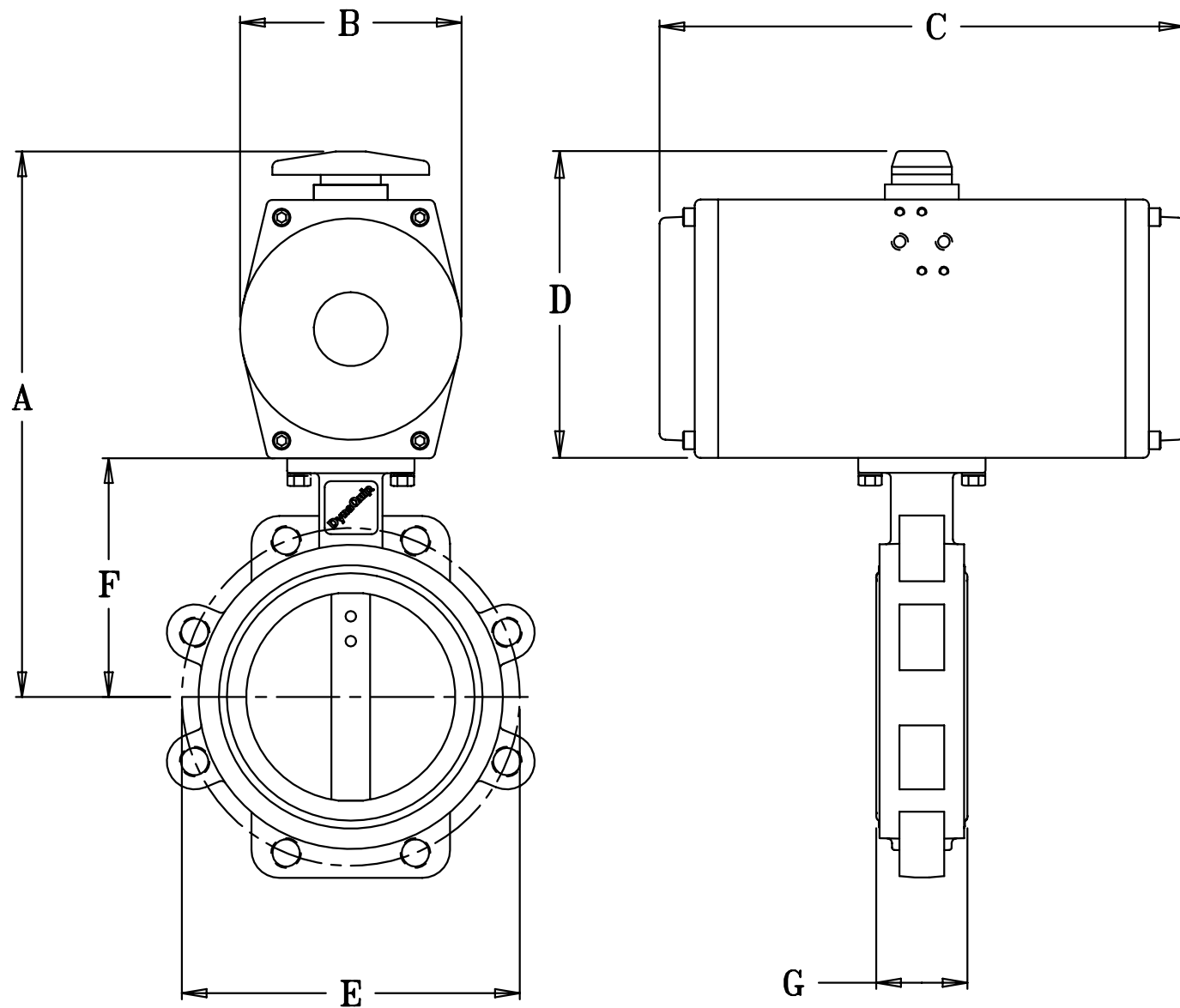
**NO. 622 - ACT AP/SR**

**FILE NO.**  
SLB133

**TITLE**  
BUTTERFLY VALVE  
622 LUG SERIES  
PNEUMATIC SR NC ACTUATOR

DR	DATE	CH'KD	DATE	ENGR	DATE
FBA	07-20-05	LJH	09-09-05	LJH	09-09-05





MODEL	ACTUATOR	VALVE SIZE	A	B	C	D	E	F	G
62F61302S314F	APU30SR4F	2	10.75	3.23	5.53	4.37	4.75	6.38	1.75
62F61325S324F	APU52SR4F	2.5	11.72	3.73	6.38	4.84	5.50	6.38	1.88
62F61303S064F	AP73SR4F	3	12.08	3.90	7.20	4.95	6.00	7.13	1.88
62F61304S344F	APU103SR4F	4	13.43	4.40	8.30	5.55	7.50	7.88	2.13
62F61305S354F	APU148SR4F	5	14.83	4.72	8.77	6.45	8.50	8.38	2.25
62F61306S104F	AP295SR4F	6	16.39	5.39	11.75	7.51	9.50	8.88	2.25
62F61308S384F	APU470SR4F	8	19.95	6.77	13.27	9.70	11.75	10.25	2.50
62F61310S394F	APU586SR4F	10	21.20	6.77	14.49	9.70	14.25	11.50	2.75
62F61312S404F	APU900SR4F	12	25.02	8.82	16.62	11.77	17.00	13.25	3.13

BUTTERFLY VALVE  
SERIES 622182700

BODY: DUCTILE IRON LUG STYLE  
DISC: NICKEL PLATED DUCTILE IRON  
STEM: TYPE 416 STAINLESS STEEL  
SEAT: BLACK NITRILE (SANITARY BUANA)

ACTUATOR OPERATION - 80 PSIG CLEAN LUBRICATED AIR  
MAXIMUM 150 PSIG

**UNCONTROLLED  
DRAWING**

THIS PRINT IS THE PROPERTY  
OF DYNAQUIP CONTROLS AND  
SHALL NOT BE COPIED,  
REPRODUCED, LOANED,  
OR DISPOSED OF DIRECTLY  
OR INDIRECTLY, NOR USED  
FOR ANY PURPOSE OTHER THAN  
THAT FOR WHICH IT IS  
SPECIFICALLY FURNISHED  
EXCEPT BY WRITTEN  
PERMISSION OF  
DYNAQUIP CONTROLS.

**NO. 622 - ACT AP/SR** FILE NO. SUB158

**TITLE**  
BUTTERFLY VALVE  
622 LUG SERIES  
PNEUMATIC SR NO ACTUATOR

DR	DATE	CH'KD	DATE	ENGR	DATE
FBA	07-20-05	MJP	08-30-05	MJP	08-30-05

