

MODEL	ACTUATOR	VALVE SIZE	A	B	C	D	E	F	G
60F11302E01	MA7	2	16.42	13.00	7.87	10.04	4.00	6.38	1.75
60F11325E01	MA7	2.5	16.92	13.00	7.87	10.04	4.75	6.88	1.88
60F11303E01	MA7	3	17.13	13.00	7.87	10.04	5.13	7.13	1.88
60F11304E01	MA7	4	17.92	13.00	7.87	10.04	6.75	7.88	2.13
60F11305E01	MA7	5	18.42	13.00	7.87	10.04	7.75	8.38	2.25
60F11306E02	MA13	6	18.92	13.00	7.87	10.04	8.63	8.88	2.25
60F11308E03	MA35	8	22.65	14.96	11.81	12.40	10.56	10.25	2.50
60F11310E03	MA35	10	23.90	14.96	11.81	12.40	13.06	11.50	2.75
60F11312E04	MA44	12	25.65	14.96	11.81	12.40	16.00	13.25	3.13

BUTTERFLY VALVE
SERIES 600169700

BODY: CAST IRON WAFER STYLE
DISC: NICKEL PLATED DUCTILE IRON
STEM: TYPE 416 STAINLESS STEEL
SEAT: BLACK NITRILE (SANITARY BUANA)

MA SERIES ELECTRIC ACTUATOR
120 VAC 60 HZ
2 EXTRA LIMIT SWITCHES

**UNCONTROLLED
DRAWING**

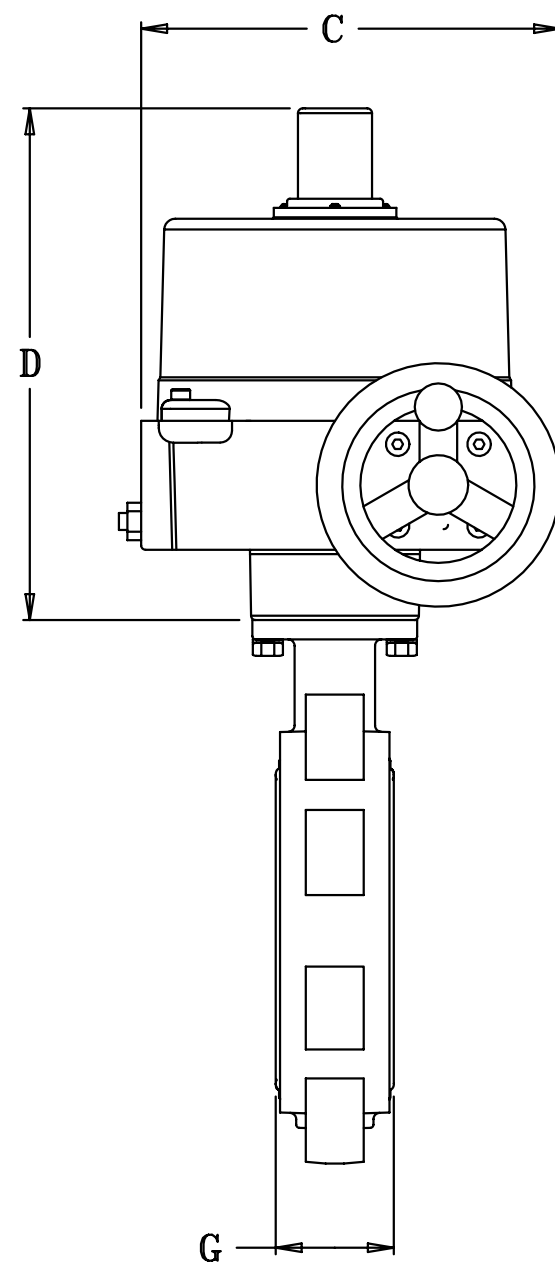
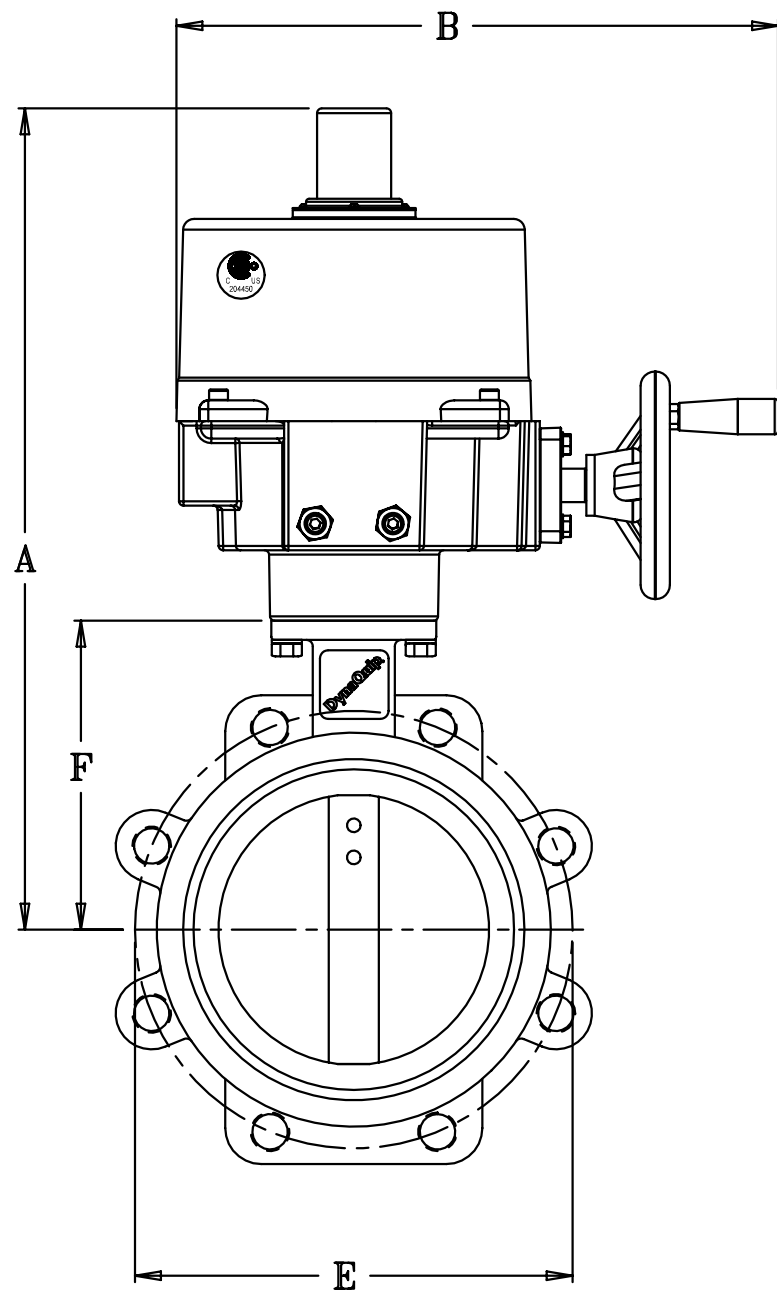
THIS PRINT IS THE PROPERTY OF DYNAQUIP CONTROLS AND SHALL NOT BE COPIED, REPRODUCED, LOANED, OR DISPOSED OF DIRECTLY OR INDIRECTLY, NOR USED FOR ANY PURPOSE OTHER THAN THAT FOR WHICH IT IS SPECIFICALLY FURNISHED EXCEPT BY WRITTEN PERMISSION OF DYNAQUIP CONTROLS.

NO. 600 - ACT MA **FILE NO. SUB131**

TITLE
BUTTERFLY VALVE
600 WAFER SERIES
ELECTRIC ACTUATOR

DR	DATE	CH'KD	DATE	ENGR	DATE
LJH	09-12-05	LJH	04-15-04	LJH	04-15-04





MODEL	ACTUATOR	VALVE SIZE	A	B	C	D	E	F	G
62F61302E01	MA7	2	16.42	13.00	7.87	10.04	4.75	6.38	1.75
62F61325E01	MA7	2.5	16.92	13.00	7.87	10.04	5.50	6.88	1.88
62F61303E01	MA7	3	17.17	13.00	7.87	10.04	6.00	7.13	1.88
62F61304E01	MA7	4	17.92	13.00	7.87	10.04	7.50	7.88	2.13
62F61305E01	MA7	5	18.42	13.00	7.87	10.04	8.50	8.38	2.25
62F61306E02	MA13	6	18.92	13.00	7.87	10.04	9.50	8.88	2.25
62F61308E03	MA35	8	22.65	14.96	11.81	12.40	11.75	10.25	2.50
62F61310E03	MA35	10	23.90	14.96	11.81	12.40	14.25	11.50	2.75
62F61312E04	MA44	12	25.65	14.96	11.81	12.40	17.00	13.25	3.13

BUTTERFLY VALVE
SERIES 622182700

BODY: DUCTILE IRON LUG STYLE
DISC: NICKEL PLATED DUCTILE IRON
STEM: TYPE 416 STAINLESS STEEL
SEAT: BLACK NITRILE (SANITARY BUANA)

MA SERIES ELECTRIC ACTUATOR
120 VAC 60 HZ
2 EXTRA LIMIT SWITCHES

**UNCONTROLLED
DRAWING**

THIS PRINT IS THE PROPERTY
OF DYNAQUIP CONTROLS AND
SHALL NOT BE COPIED,
REPRODUCED, LOANED,
OR DISPOSED OF DIRECTLY
OR INDIRECTLY, NOR USED
FOR ANY PURPOSE OTHER THAN
THAT FOR WHICH IT IS
SPECIFICALLY FURNISHED
EXCEPT BY WRITTEN
PERMISSION OF
DYNAQUIP CONTROLS.

NO. 622 - ACT MA FILE NO.
SLB134

TITLE
BUTTERFLY VALVE
622 LUG SERIES
ELECTRIC ACTUATOR

DR	DATE	CH'KD	DATE	ENGR	DATE
FBA	07-20-05	LJH	09-12-05	LJH	09-12-05

