

MODEL	PYHG1AUD01	PYHG2AUD01	PYHG3AUD01	PYHG4AUD01	PYHG5AUD02	PYHG6AUD02	PYHG7AUD02	PYHG8AUD05	PYHG9AUD05	PYHGAAUD05
ACTUATOR	AP10DA	AP10DA	AP10DA	AP10DA	AP20DA	AP20DA	AP20DA	AP52DA	AP52DA	AP52DA
SIZE	1/4 NPT	3/8 NPT	1/2 NPT	3/4 NPT	1 NPT	1 1/4 NPT	1 1/2 NPT	2 NPT	2 1/2 NPT	3 NPT
A	2.64	2.64	2.87	3.19	3.74	4.39	4.86	5.73	6.93	7.08
B	1.34	1.34	1.34	1.53	1.89	2.36	2.83	3.38	4.37	4.45
C	0.39	0.43	0.43	0.59	0.79	0.98	1.26	1.57	1.95	1.95
D	1.32	1.32	1.44	1.60	1.87	2.20	2.43	2.87	3.47	3.54
E	0.77	0.77	0.65	0.87	1.00	1.22	1.79	1.75	2.20	2.20
F	1.20	1.20	1.20	1.29	1.63	1.85	2.34	2.90	3.35	3.35
G	4.70	4.70	4.70	4.79	5.45	5.67	6.17	7.74	8.20	8.20
H	2.61	2.61	2.61	2.61	2.82	2.82	2.82	3.94	3.94	3.94
J	4.65	4.65	4.65	4.65	5.26	5.26	5.26	6.38	6.38	6.38
K	3.50	3.50	3.50	3.50	3.82	3.82	3.82	4.84	4.84	4.84
WT. LBS	2.22	2.16	2.21	2.47	4.62	6.13	8.00	13.60	20.63	23.85

3-WAY L-PORT BRASS BALL VALVE
 ISO 5211 MOUNTING PAD
 PRESSURE RATING; 400 CWP - 100 WSP

VALVE DATA	
BODY/END CAP	BRASS
STEM	BRASS, NI PL
BALL	BRASS, NI-CHROME PL
SEATS	PTFE
THRUST WASHER	PTFE
STEM SEAL	VITON O-RINGS

**UNCONTROLLED
DRAWING**

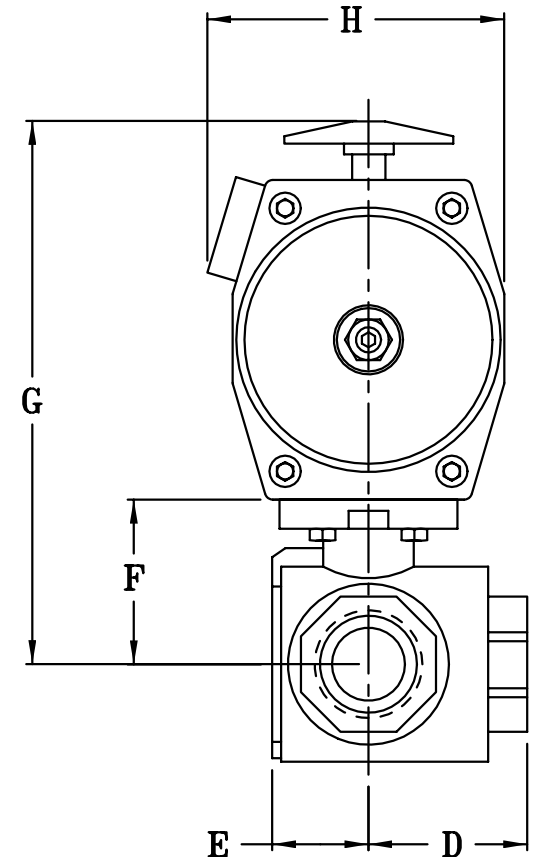
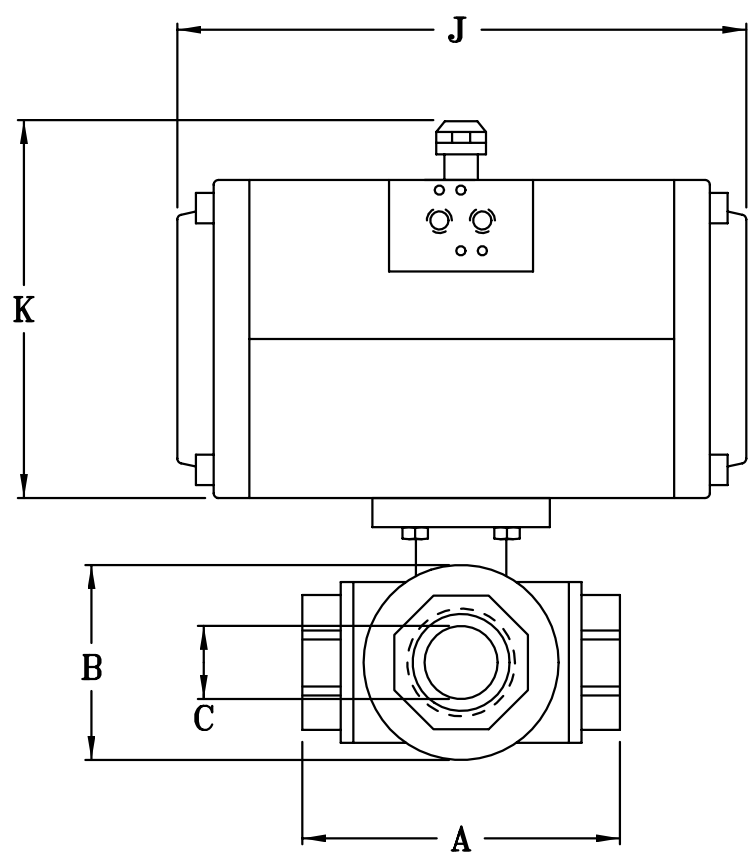
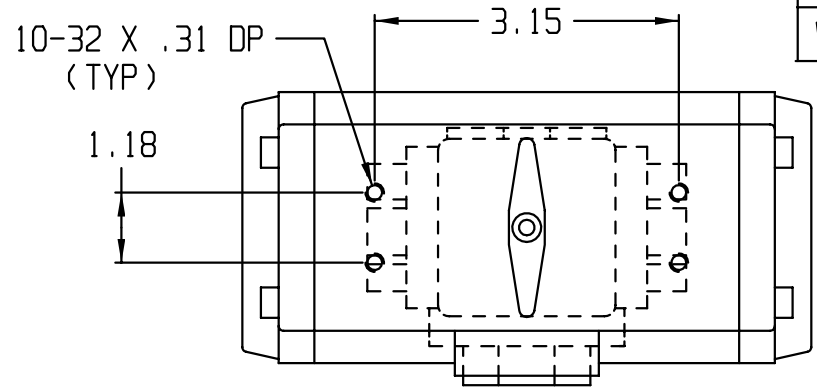
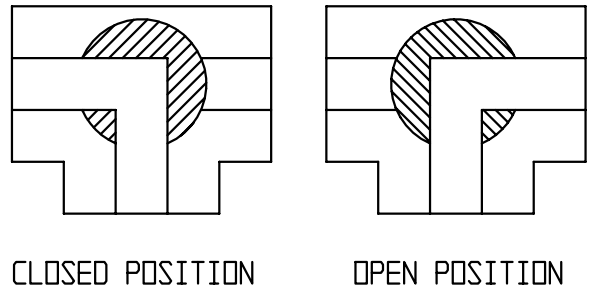
THIS PRINT IS THE PROPERTY OF DYNAQUIP CONTROLS AND SHALL NOT BE COPIED, REPRODUCED, LOANED, OR DISPOSED OF DIRECTLY OR INDIRECTLY, NOR USED FOR ANY PURPOSE OTHER THAN THAT FOR WHICH IT IS SPECIFICALLY FURNISHED EXCEPT BY WRITTEN PERMISSION OF DYNAQUIP CONTROLS.

NO.	VYHG SERIES		FILE NO.
TITLE	BALL VALVE		
	3-WAY L-PORT NPT		
	AP-DA ACTUATOR		

DR	DATE	CH'KD	DATE	ENGR	DATE
FBA	06-28-05	LJH	09-08-05	LJH	09-08-05



MODEL	PYHG1AUS024	PYHG2AUS024	PYHG3AUS024	PYHG4AUS024	PYHG5AUS054	PYHG6AUS054	PYHG7AUS054	PYHG8AUS074	PYHG9AUS074	PYHGAAUS074
ACTUATOR	AP20SR4	AP20SR4	AP20SR4	AP20SR4	AP52SR4	AP52SR4	AP52SR4	AP103SR4	AP103SR4	AP103SR4
SIZE	1/4 NPT	3/8 NPT	1/2 NPT	3/4 NPT	1 NPT	1 1/4 NPT	1 1/2 NPT	2 NPT	2 1/2 NPT	3 NPT
A	2.64	2.64	2.87	3.19	3.74	4.39	4.86	5.73	6.93	7.08
B	1.34	1.34	1.34	1.53	1.89	2.36	2.83	3.38	4.37	4.45
C	0.39	0.43	0.43	0.58	0.79	0.98	1.26	1.57	1.95	1.95
D	1.32	1.32	1.44	1.60	1.87	2.20	2.43	2.87	3.47	3.54
E	0.77	0.77	0.65	0.87	1.00	1.22	1.79	1.75	2.20	2.20
F	1.20	1.20	1.20	1.29	1.63	1.85	2.34	2.90	3.35	3.35
G	5.02	5.02	5.02	5.11	6.47	6.69	7.18	8.45	8.90	8.90
H	2.82	2.82	2.82	2.82	3.73	3.73	3.73	4.40	4.40	4.40
J	5.26	5.26	5.26	5.26	6.38	6.38	6.38	8.30	8.30	8.30
K	3.82	3.82	3.82	3.82	4.84	4.84	4.84	5.55	5.55	5.55
WT. LBS	3.22	3.16	3.21	3.47	6.94	8.45	10.32	16.70	23.73	26.95



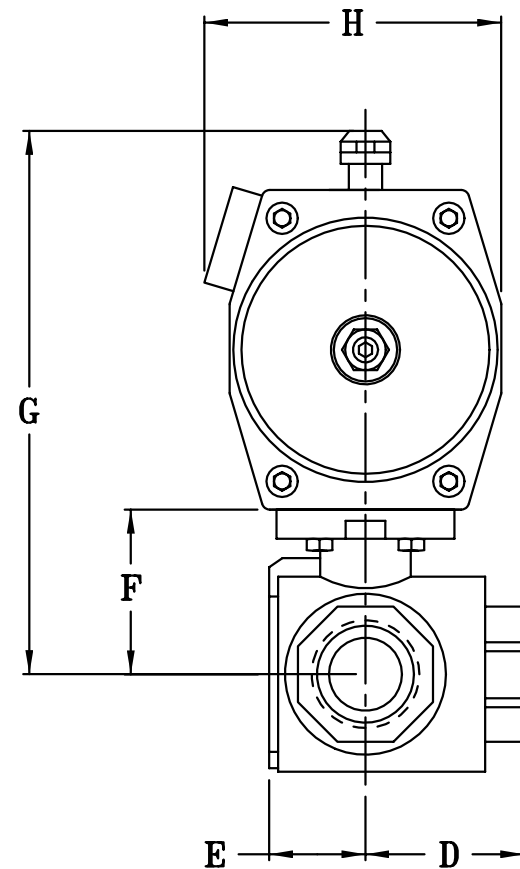
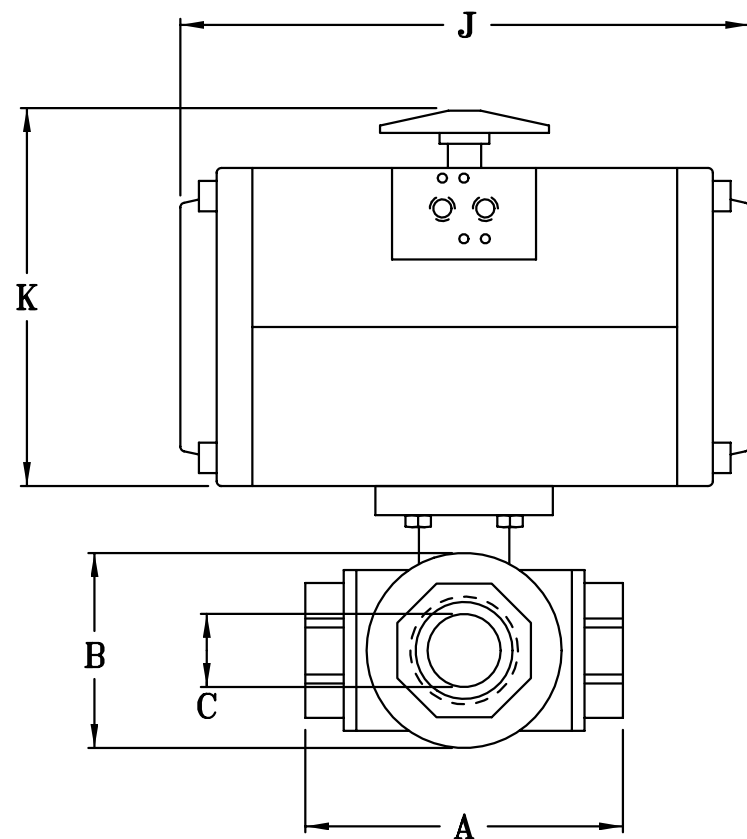
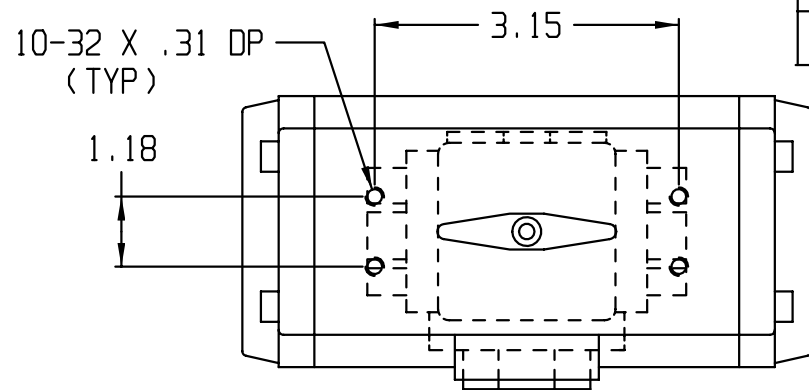
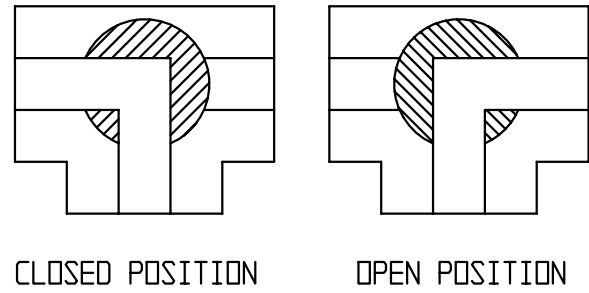
3-WAY L-PORT BRASS BALL VALVE
 ISO 5211 MOUNTING PAD
 PRESSURE RATING; 400 CWP - 100 WSP

VALVE DATA	
BODY/END CAP	BRASS
STEM	BRASS, NI PL
BALL	BRASS, NI-CHROME PL
SEATS	PTFE
THRUST WASHER	PTFE
STEM SEAL	VITON O-RINGS

UNCONTROLLED DRAWING
 THIS PRINT IS THE PROPERTY OF DYNAQUIP CONTROLS AND SHALL NOT BE COPIED, REPRODUCED, LOANED, OR DISPOSED OF DIRECTLY OR INDIRECTLY, NOR USED FOR ANY PURPOSE OTHER THAN THAT FOR WHICH IT IS SPECIFICALLY FURNISHED EXCEPT BY WRITTEN PERMISSION OF DYNAQUIP CONTROLS.

NO .		VYHG SERIES			FILE NO.
TITLE		BALL VALVE			
		3-WAY L-PORT NPT			
		AP-SR NC ACTUATOR			
DR	DATE	CH' ED	DATE	ENGR	DATE
FBA	06-29-05	LJH	09-06-05	LJH	09-06-05

MODEL	PYHG1AUS024F	PYHG2AUS024F	PYHG3AUS024F	PYHG4AUS024F	PYHG5AUS054F	PYHG6AUS054F	PYHG7AUS054F	PYHG8AUS074F	PYHG9AUS074F	PYHGAAUS074F
ACTUATOR	AP20SR4F	AP20SR4F	AP20SR4F	AP20SR4F	AP52SR4F	AP52SR4F	AP52SR4F	AP103SR4F	AP103SR4F	AP103SR4F
SIZE	1/4 NPT	3/8 NPT	1/2 NPT	3/4 NPT	1 NPT	1 1/4 NPT	1 1/2 NPT	2 NPT	2 1/2 NPT	3 NPT
A	2.64	2.64	2.87	3.19	3.74	4.39	4.86	5.73	6.93	7.08
B	1.34	1.34	1.34	1.53	1.89	2.36	2.83	3.38	4.37	4.45
C	0.39	0.43	0.43	0.58	0.79	0.98	1.26	1.57	1.95	1.95
D	1.32	1.32	1.44	1.60	1.87	2.20	2.43	2.87	3.47	3.54
E	0.77	0.77	0.65	0.87	1.00	1.22	1.79	1.75	2.20	2.20
F	1.20	1.20	1.20	1.29	1.63	1.85	2.34	2.90	3.35	3.35
G	5.02	5.02	5.02	5.11	6.47	6.69	7.18	8.45	8.90	8.90
H	2.82	2.82	2.82	2.82	3.73	3.73	3.73	4.40	4.40	4.40
J	5.26	5.26	5.26	5.26	6.38	6.38	6.38	8.30	8.30	8.30
K	3.82	3.82	3.82	3.82	4.84	4.84	4.84	5.55	5.55	5.55
WT. LBS	3.22	3.16	3.21	3.47	6.94	8.45	10.32	16.70	23.73	26.95



3-WAY L-PORT BRASS BALL VALVE
 ISO 5211 MOUNTING PAD
 PRESSURE RATING; 400 CWP - 100 WSP

VALVE DATA	
BODY/END CAP	BRASS
STEM	BRASS, NI PL
BALL	BRASS, NI-CHROME PL
SEATS	PTFE
THRUST WASHER	PTFE
STEM SEAL	VITON O-RINGS

UNCONTROLLED DRAWING

THIS PRINT IS THE PROPERTY OF DYNAQUIP CONTROLS AND SHALL NOT BE COPIED, REPRODUCED, LOANED, OR DISPOSED OF DIRECTLY OR INDIRECTLY, NOR USED FOR ANY PURPOSE OTHER THAN THAT FOR WHICH IT IS SPECIFICALLY FURNISHED EXCEPT BY WRITTEN PERMISSION OF DYNAQUIP CONTROLS.

NO .		VYHG SERIES			FILE NO.
TITLE		BALL VALVE			
		3-WAY L-PORT NPT			
		AP-SR NO ACTUATOR			
DR	DATE	CHK'D	DATE	ENGR	DATE
LJH	06-29-05	LJH	09-06-05	LJH	09-06-05

