

MODEL	ACTUATOR	VALVE SIZE	A	B	C	D	E	F	G
30F21302D31	APU30DA	2	8.31	2.76	5.53	4.37	4.03	3.94	1.63
30F21303D32	APU52DA	3	9.72	3.27	6.38	4.84	5.25	4.88	1.75
30F21304D33	APU73DA	4	10.95	3.58	7.20	4.95	6.75	6.00	2.00
30F21305D34	APU103DA	5	11.55	3.94	8.30	5.55	7.63	6.00	2.13
30F21306D08	AP148DA	6	12.95	4.72	8.77	6.45	8.63	6.50	2.13
30F21308D10	AP295DA	8	15.82	5.39	11.75	7.51	10.81	8.31	2.50
30F21310D38	APU470DA	10	18.70	6.77	13.27	9.70	13.38	9.00	2.50
30F21312D39	APU586DA	12	20.33	6.77	14.49	9.70	16.19	10.63	3.00

BUTTERFLY VALVE
 SERIES 340170700
 BODY: DUCTILE IRON WAFER STYLE
 DISC: NYLON COATED DUCTILE IRON
 STEM: TYPE 17-4 STAINLESS STEEL
 SEAT: BLACK NITRILE (SANITARY BUINA N)

ACTUATOR OPERATION - 80 PSIG CLEAN LUBRICATED AIR
 MAXIMUM 150 PSIG

**UNCONTROLLED
 DRAWING**

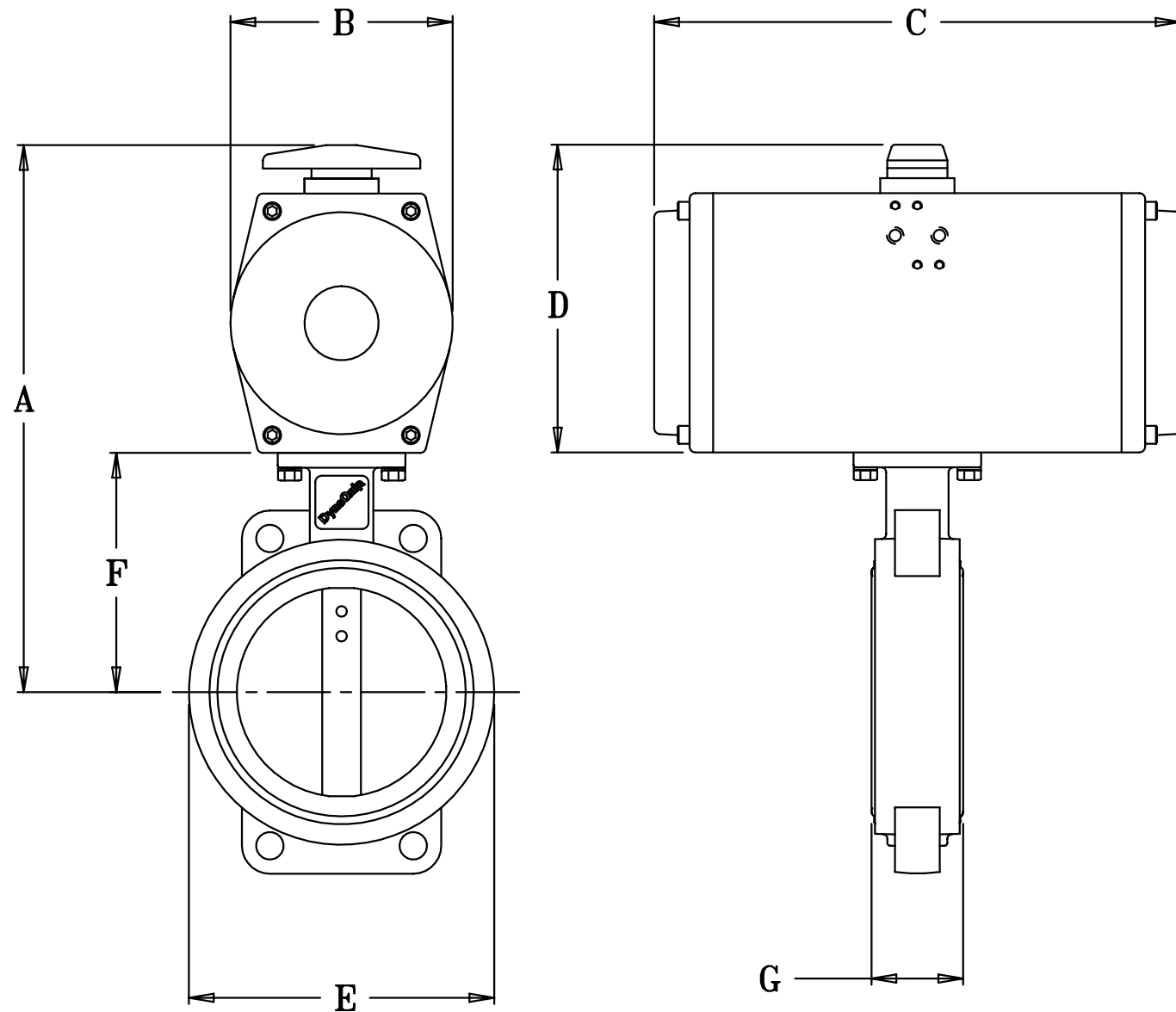
THIS PRINT IS THE PROPERTY OF DYNAQUIP CONTROLS AND SHALL NOT BE COPIED, REPRODUCED, LOANED, OR DISPOSED OF DIRECTLY OR INDIRECTLY, NOR USED FOR ANY PURPOSE OTHER THAN THAT FOR WHICH IT IS SPECIFICALLY FURNISHED EXCEPT BY WRITTEN PERMISSION OF DYNAQUIP CONTROLS.

NO. 340 - ACT AP/DA FILE NO. SUB141

TITLE
 BUTTERFLY VALVE
 340 WAFER SERIES
 PNEUMATIC DA ACTUATOR

DR	DATE	CH'KD	DATE	ENGR	DATE
FBA	07-14-05	MJP	08-24-05	MJP	08-24-05





MODEL	ACTUATOR	VALVE SIZE	A	B	C	D	E	F	G
30F21302S324	APU52SR4	2	8.87	3.27	6.38	4.84	4.03	3.94	1.63
30F21303S065	AP73SR5	3	9.83	3.58	7.20	4.95	5.25	4.88	1.75
30F21304S354	APU148SR4	4	12.45	4.72	8.77	6.45	6.75	6.00	2.00
30F21305S094	AP222SR4	5	12.71	4.72	11.52	6.71	7.63	6.00	2.13
30F21306S105	AP295SR5	6	14.01	5.39	11.75	7.51	8.63	6.50	2.13
30F21308S386	APU470SR6	8	18.01	6.77	13.27	9.70	10.81	8.31	2.50
30F21310S404	APU900SR4	10	20.77	8.82	16.62	11.77	13.38	9.00	2.50
30F21312S415	APU1213SR5	12	22.40	8.82	17.72	11.77	16.19	10.63	3.00

BUTTERFLY VALVE
SERIES 340170700

BODY: DUCTILE IRON WAFER STYLE
DISC: NYLON COATED DUCTILE IRON
STEM: TYPE 17-4 STAINLESS STEEL
SEAT: BLACK NITRILE (SANITARY BUANA N)

ACTUATOR OPERATION - 80 PSIG CLEAN LUBRICATED AIR
MAXIMUM 150 PSIG

**UNCONTROLLED
DRAWING**

THIS PRINT IS THE PROPERTY OF DYNAQUIP CONTROLS AND SHALL NOT BE COPIED, REPRODUCED, LOANED, OR DISPOSED OF DIRECTLY OR INDIRECTLY, NOR USED FOR ANY PURPOSE OTHER THAN THAT FOR WHICH IT IS SPECIFICALLY FURNISHED EXCEPT BY WRITTEN PERMISSION OF DYNAQUIP CONTROLS.

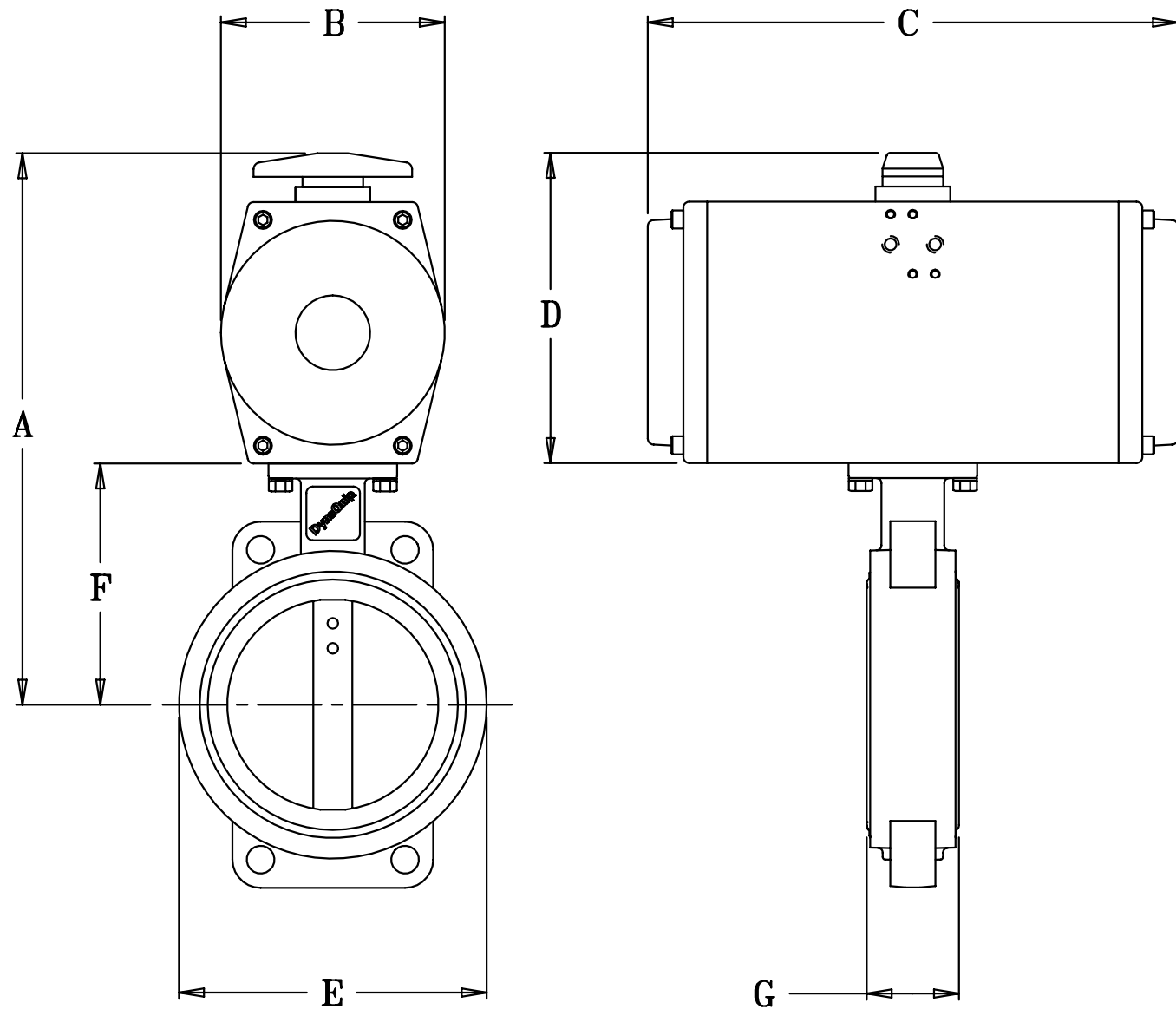
NO. 340 - ACT AP/SR

FILE NO. SLB142

TITLE
BUTTERFLY VALVE
340 WAFER SERIES
PNEUMATIC SR NC ACTUATOR

DR	DATE	CH'KD	DATE	ENGR	DATE
FBA	07-15-05	MJP	08-24-05	MJP	08-24-05





MODEL	ACTUATOR	VALVE SIZE	A	B	C	D	E	F	G
30F21302S324F	APU52SR4F	2	8.87	3.27	6.38	4.84	4.03	3.94	1.63
30F21303S064F	AP73SR4F	3	9.83	3.58	7.20	4.95	5.25	4.88	1.75
30F21304S354F	APU148SR4F	4	12.45	4.72	8.77	6.45	6.75	6.00	2.00
30F21305S094F	AP222SR4F	5	12.71	4.72	11.52	6.71	7.63	6.00	2.13
30F21306S104F	AP295SR4F	6	14.01	5.39	11.75	7.51	8.63	6.50	2.13
30F21308S384F	APU470SR4F	8	18.01	6.77	13.27	9.70	10.81	8.31	2.50
30F21310S404F	APU900SR4F	10	20.77	8.82	16.62	11.77	13.38	9.00	2.50
30F21312S414F	AP1213SR4F	12	22.40	8.82	17.72	11.77	16.19	10.63	3.00

BUTTERFLY VALVE
SERIES 340170700

BODY: DUCTILE IRON WAFER STYLE
DISC: NYLON COATED DUCTILE IRON
STEM: TYPE 17-4 STAINLESS STEEL
SEAT: BLACK NITRILE (SANITARY BUANA N)

ACTUATOR OPERATION - 80 PSIG CLEAN LUBRICATED AIR
MAXIMUM 150 PSIG

**UNCONTROLLED
DRAWING**

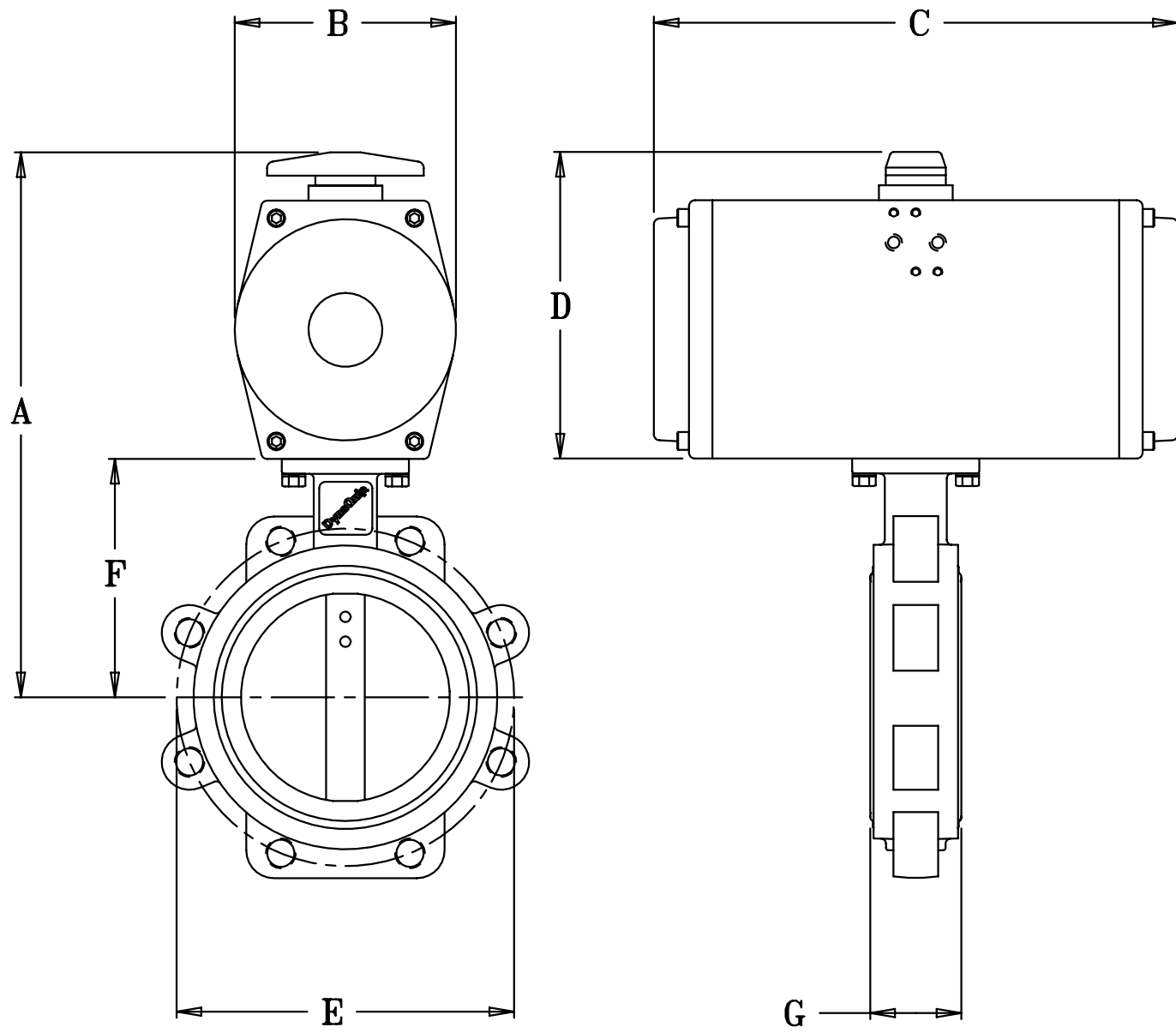
THIS PRINT IS THE PROPERTY
OF DYNAQUIP CONTROLS AND
SHALL NOT BE COPIED,
REPRODUCED, LOANED,
OR DISPOSED OF DIRECTLY
OR INDIRECTLY, NOR USED
FOR ANY PURPOSE OTHER THAN
THAT FOR WHICH IT IS
SPECIFICALLY FURNISHED
EXCEPT BY WRITTEN
PERMISSION OF
DYNAQUIP CONTROLS.

NO. 340 - ACT AP/SR

FILE NO.
SUB143

TITLE
BUTTERFLY VALVE
340 WAFER SERIES
PNEUMATIC SR NO ACTUATOR

DR	DATE	CH'KD	DATE	ENGR	DATE
FBA	07-15-05	MJP	08-24-05	MJP	08-24-05




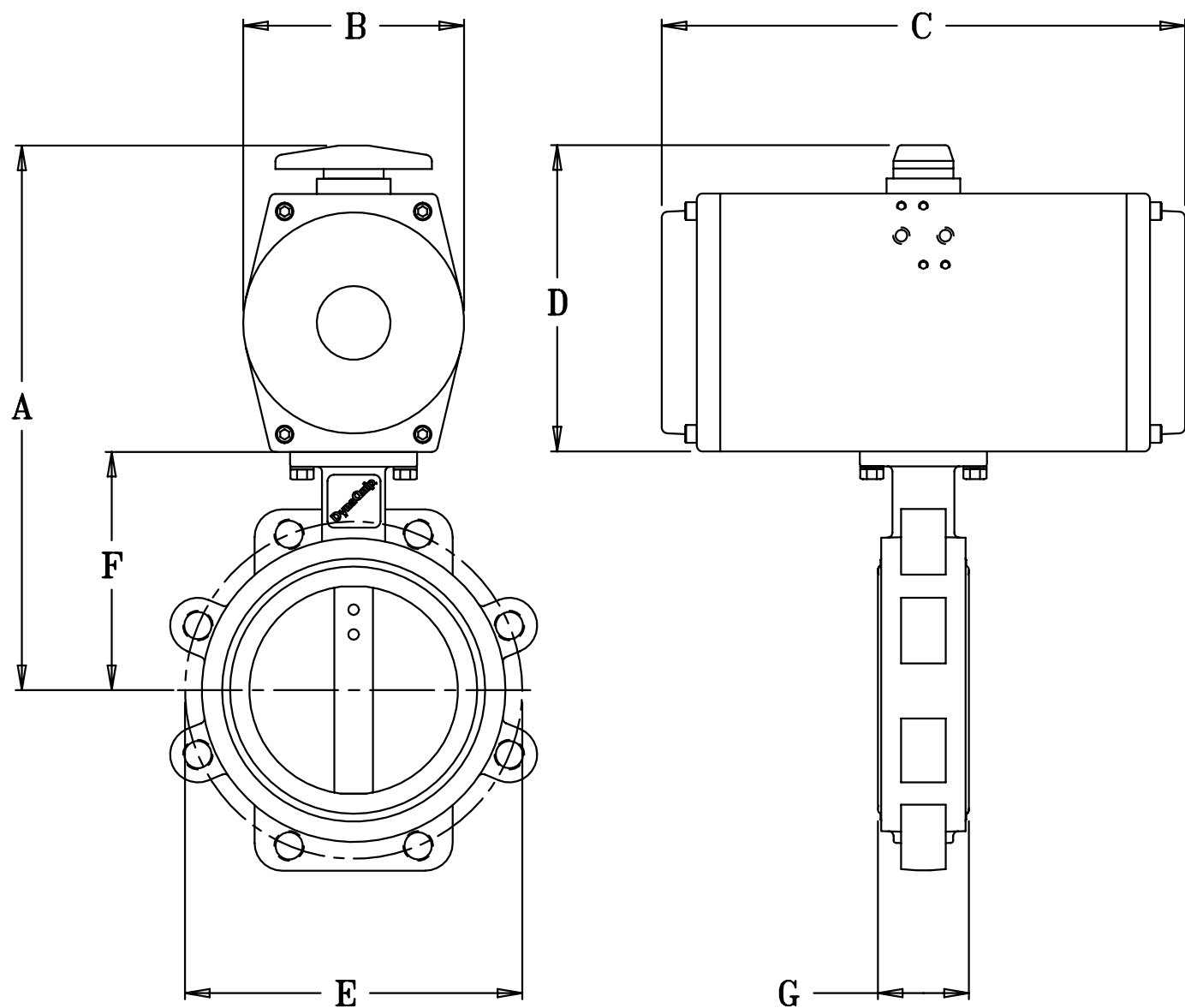
MODEL	ACTUATOR	VALVE SIZE	A	B	C	D	E	F	G
32F21302D31	APU30DA	2	8.31	2.76	5.53	4.37	4.75	3.94	1.63
32F21303D32	APU52DA	3	9.72	3.27	6.38	4.84	6.00	4.88	1.75
32F21304D33	APU73DA	4	10.95	3.58	7.20	4.95	7.50	6.00	2.00
32F21305D34	APU103DA	5	11.55	3.94	8.30	5.55	8.50	6.00	2.13
32F21306D08	AP148DA	6	12.95	4.72	8.77	6.45	9.50	6.50	2.13
32F21308D10	AP295DA	8	15.82	5.39	11.75	7.51	11.75	8.31	2.50
32F21310D38	APU470DA	10	18.70	6.77	13.27	9.70	14.25	9.00	2.50
32F21312D39	APU586DA	12	20.33	6.77	14.49	9.70	17.00	10.63	3.00

BUTTERFLY VALVE
 SERIES 342170700
 BODY: DUCTILE IRON LUG STYLE
 DISC: NICKEL PLATED DUCTILE IRON
 STEM: TYPE 17-4 STAINLESS STEEL
 SEAT: BLACK NITRILE (SANITARY BUANA N)

ACTUATOR OPERATION - 80 PSIG CLEAN LUBRICATED AIR
 MAXIMUM 150 PSIG

UNCONTROLLED DRAWING THIS PRINT IS THE PROPERTY OF DYNAQUIP CONTROLS AND SHALL NOT BE COPIED, REPRODUCED, LOANED, OR DISPOSED OF DIRECTLY OR INDIRECTLY, NOR USED FOR ANY PURPOSE OTHER THAN THAT FOR WHICH IT IS SPECIFICALLY FURNISHED EXCEPT BY WRITTEN PERMISSION OF DYNAQUIP CONTROLS.	NO. 342 - ACT AP/DA		FILE NO. SUB 145	
	TITLE BUTTERFLY VALVE 342 LUG SERIES PNEUMATIC DA ACTUATOR			
	DR FBA	DATE 07-18-05	CH'KD MJP	DATE 08-25-05





MODEL	ACTUATOR	VALVE SIZE	A	B	C	D	E	F	G
32F21302S324	APU52SR4	2	8.78	3.27	6.38	4.84	4.75	3.94	1.63
32F21303S065	AP73SR4	3	9.83	3.58	7.20	4.95	6.00	4.88	1.75
32F21304S354	APU148SR4	4	12.45	4.72	8.77	6.45	7.50	6.00	2.00
32F21305S094	AP222SR4	5	12.71	4.72	11.52	6.71	8.50	6.00	2.13
32F21306S105	AP295SR5	6	14.01	5.39	11.75	7.51	9.50	6.50	2.13
32F21308S386	APU470SR6	8	18.01	6.77	13.27	9.70	11.75	8.31	2.50
32F21310S404	APU900SR5	10	20.77	8.82	16.62	11.77	14.25	9.00	2.50
32F21312S415	AP1213SR5	12	22.40	8.82	17.72	11.77	17.00	10.63	3.00

BUTTERFLY VALVE
SERIES 342170700

BODY: DUCTILE IRON LUG STYLE
DISC: NICKEL PLATED DUCTILE IRON
STEM: TYPE 17-4 STAINLESS STEEL
SEAT: BLACK NITRILE (SANITARY BUANA N)

ACTUATOR OPERATION - 80 PSIG CLEAN LUBRICATED AIR
MAXIMUM 150 PSIG

**UNCONTROLLED
DRAWING**

THIS PRINT IS THE PROPERTY
OF DYNAQUIP CONTROLS AND
SHALL NOT BE COPIED,
REPRODUCED, LOANED,
OR DISPOSED OF DIRECTLY
OR INDIRECTLY, NOR USED
FOR ANY PURPOSE OTHER THAN
THAT FOR WHICH IT IS
SPECIFICALLY FURNISHED
EXCEPT BY WRITTEN
PERMISSION OF
DYNAQUIP CONTROLS.

NO. 342 - ACT AP/SR

**FILE NO.
SUB146**

TITLE

**BUTTERFLY VALVE
342 LUG SERIES
PNEUMATIC SR NC ACTUATOR**

DR

FBA

DATE

07-18-05

CH'KD

MJP

DATE

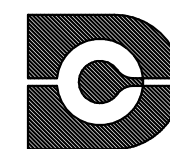
08-25-05

ENGR

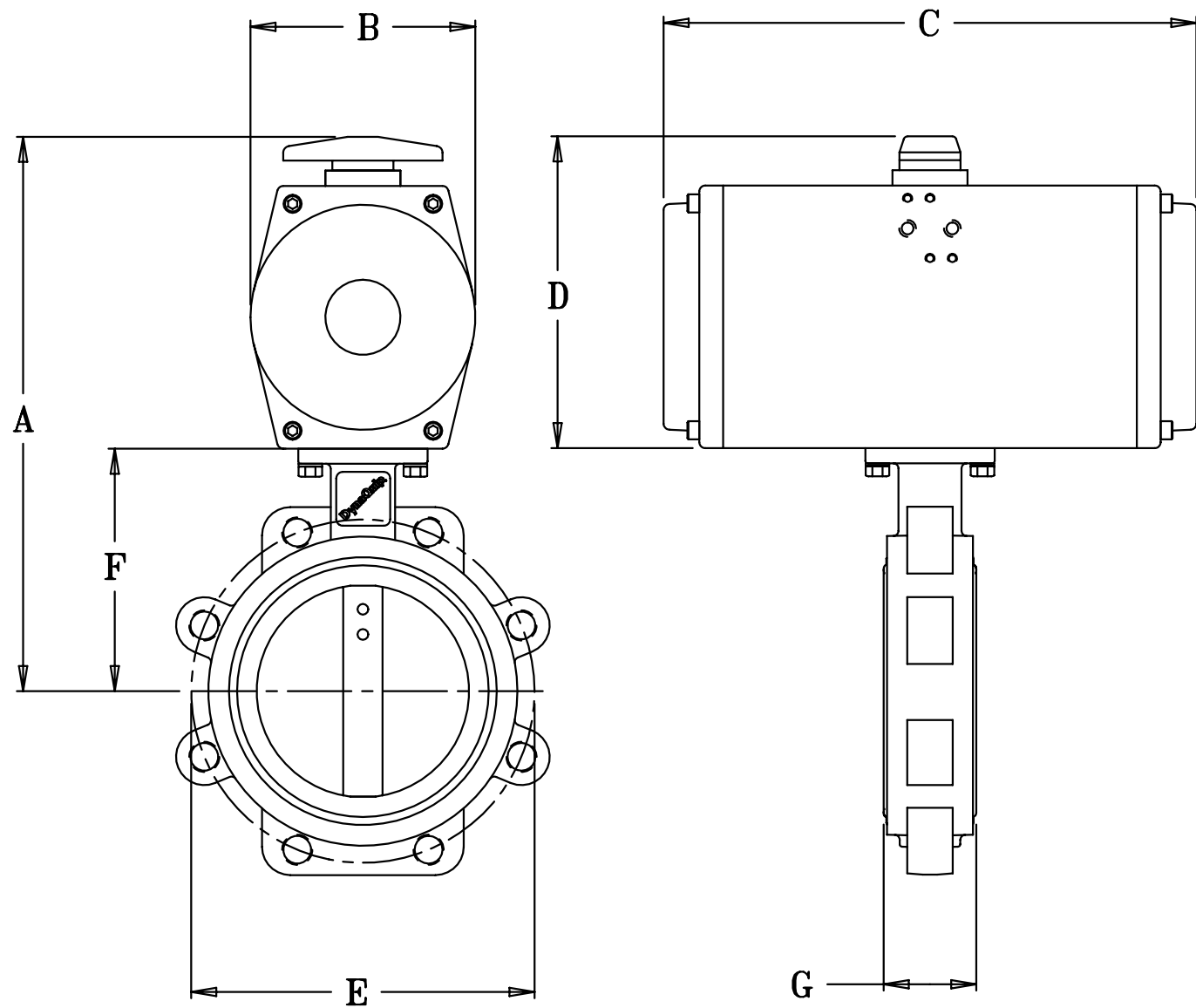
MJP

DATE

08-25-05



**DynaQuip
Controls**



MODEL	ACTUATOR	VALVE SIZE	A	B	C	D	E	F	G
32F21302S324F	APU52SR4F	2	8.78	3.27	6.38	4.84	4.75	3.94	1.63
32F21303S064F	AP73SR4F	3	9.83	3.58	7.20	4.95	6.00	4.88	1.75
32F21304S354F	APU148SR4F	4	12.45	4.72	8.77	6.45	7.50	6.00	2.00
32F21305S094F	AP222SR4F	5	12.71	4.72	11.52	6.71	8.50	6.00	2.13
32F21306S104F	AP295SR4F	6	14.01	5.39	11.75	7.51	9.50	6.50	2.13
32F21308S384F	APU470SR4F	8	18.01	6.77	13.27	9.70	11.75	8.31	2.50
32F21310S404F	APU90SR5F	10	20.77	8.82	16.62	11.77	14.25	9.00	2.50
32F21312S414F	AP1213SR5F	12	22.40	8.82	17.72	11.77	17.00	10.63	3.00

BUTTERFLY VALVE
SERIES:342170700

BODY: DUCTILE IRON LUG STYLE
DISC: NICKEL PLATED DUCTILE IRON
STEM: TYPE 17-4 STAINLESS STEEL
SEAT: BLACK NITRILE (SANITARY BUANA N)

ACTUATOR OPERATION - 80 PSIG CLEAN LUBRICATED AIR
MAXIMUM 150 PSIG

**UNCONTROLLED
DRAWING**

THIS PRINT IS THE PROPERTY
OF DYNAQUIP CONTROLS AND
SHALL NOT BE COPIED,
REPRODUCED, LOANED,
OR DISPOSED OF DIRECTLY
OR INDIRECTLY, NOR USED
FOR ANY PURPOSE OTHER THAN
THAT FOR WHICH IT IS
SPECIFICALLY FURNISHED
EXCEPT BY WRITTEN
PERMISSION OF
DYNAQUIP CONTROLS.

NO. 342 - ACT AP/SR FILE NO.
SUB147

TITLE
BUTTERFLY VALVE
342 LUG SERIES
PNEUMATIC SR NO ACTUATOR

DR	DATE	CH'KD	DATE	ENGR	DATE
FBA	07-18-05	MJP	08-25-05	MJP	08-25-05