

MODEL	ACTUATOR	VALVE SIZE	A	B	C	D	E	F	G
30F21302E01	MA7	2	13.98	13.00	7.87	10.04	4.03	3.94	1.63
30F21303E01	MA7	3	14.92	13.00	7.87	10.04	5.25	4.88	1.75
30F21304E01	MA7	4	16.04	13.00	7.87	10.04	6.75	6.00	2.00
30F21305E02	MA13	5	16.04	13.00	7.87	10.04	7.63	6.00	2.13
30F21306E02	MA13	6	16.54	13.00	7.87	10.04	8.63	6.50	2.13
30F21308E03	MA35	8	20.71	14.96	11.81	12.40	10.81	8.31	2.50
30F21310E04	MA44	10	21.40	14.96	11.81	12.40	13.38	9.00	2.50
30F21312E05	MA57	12	23.03	14.96	11.81	12.40	16.19	10.63	3.00

BUTTERFLY VALVE
 SERIES 340170700
 BODY: DUCTILE IRON WAFER STYLE
 DISC: NYLON COATED DUCTILE IRON
 STEM: TYPE 17-4 STAINLESS STEEL
 SEAT: BLACK NITRILE (SANITARY BUNA N)

MA SERIES ELECTRIC ACTUATOR
 120 VAC 60 HZ
 2 EXTRA LIMIT SWITCHES

**UNCONTROLLED
 DRAWING**

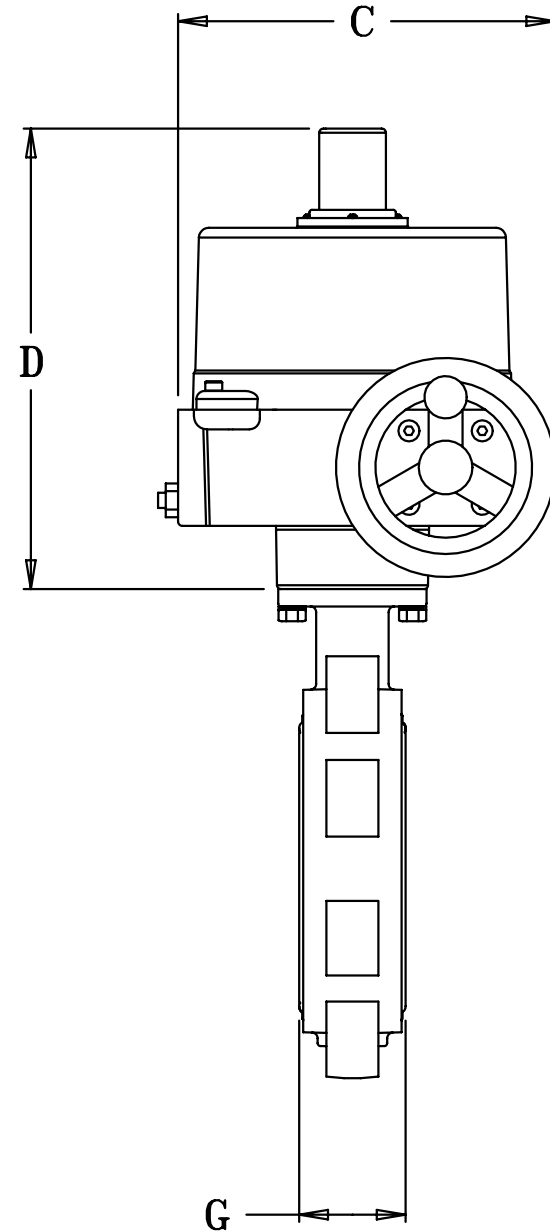
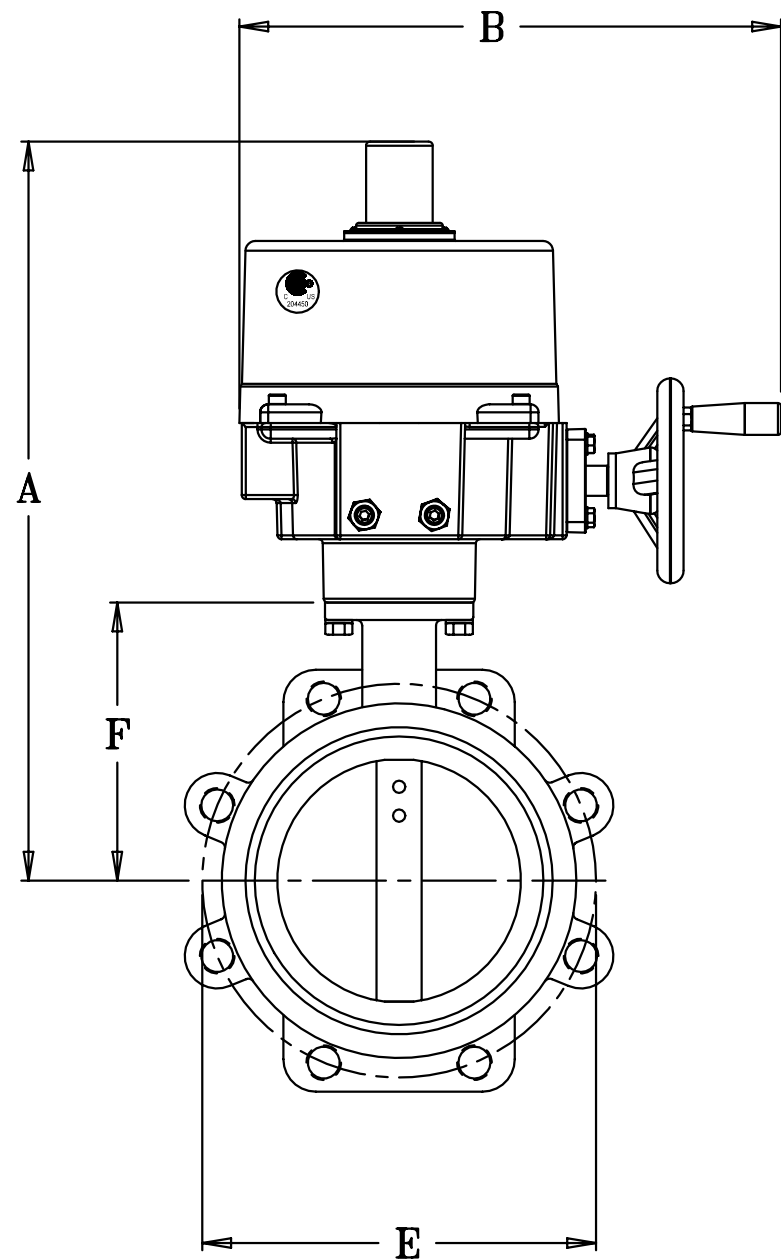
THIS PRINT IS THE PROPERTY
 OF DYNAQUIP CONTROLS AND
 SHALL NOT BE COPIED,
 REPRODUCED, LOANED,
 OR DISPOSED OF DIRECTLY
 OR INDIRECTLY, NOR USED
 FOR ANY PURPOSE OTHER THAN
 THAT FOR WHICH IT IS
 SPECIFICALLY FURNISHED
 EXCEPT BY WRITTEN
 PERMISSION OF
 DYNAQUIP CONTROLS.

NO. 340 - ACT MA **FILE NO.**
SUB144

TITLE
BUTTERFLY VALVE
340 WAFER SERIES
ELECTRIC ACTUATOR

DR	DATE	CH'KD	DATE	ENGR	DATE
FBA	07-14-05	MJP	08-24-05	MJP	08-24-05





MODEL	ACTUATOR	VALVE SIZE	A	B	C	D	E	F	G
32F21302E01	MA7	2	13.98	13.00	7.87	10.04	4.75	3.94	1.63
32F21303E01	MA7	3	14.92	13.00	7.87	10.04	6.00	4.88	1.75
32F21304E01	MA7	4	16.04	13.00	7.87	10.04	7.50	6.00	2.00
32F21305E02	MA13	5	16.04	13.00	7.87	10.04	8.50	6.00	2.13
32F21306E02	MA13	6	16.54	13.00	7.87	10.04	9.50	6.50	2.13
32F21308E03	MA35	8	20.71	14.96	11.81	12.40	11.75	8.31	2.50
32F21310E04	MA44	10	21.40	14.96	11.81	12.40	14.25	9.00	2.50
32F21312E05	MA57	12	23.03	14.96	11.81	12.40	17.00	10.63	3.00

BUTTERFLY VALVE
SERIES 342170700

BODY: DUCTILE IRON LUG STYLE
DISC: NICKEL PLATED DUCTILE IRON
STEM: TYPE 17-4 STAINLESS STEEL
SEAT: BLACK NITRILE (SANITARY BUANA N)

MA SERIES ELECTRIC ACTUATOR
120 VAC 60 HZ
2 EXTRA LIMIT SWITCHES

**UNCONTROLLED
DRAWING**

THIS PRINT IS THE PROPERTY
OF DYNAQUIP CONTROLS AND
SHALL NOT BE COPIED,
REPRODUCED, LOANED,
OR DISPOSED OF DIRECTLY
OR INDIRECTLY, NOR USED
FOR ANY PURPOSE OTHER THAN
THAT FOR WHICH IT IS
SPECIFICALLY FURNISHED
EXCEPT BY WRITTEN
PERMISSION OF
DYNAQUIP CONTROLS.

NO. 342 - ACT MA **FILE NO.**
SLB148

TITLE
BUTTERFLY VALVE
342 LUG SERIES
ELECTRIC ACTUATOR

DR	DATE	CH'KD	DATE	ENGR	DATE
FBA	07-15-05	MJP	08-25-05	MJP	08-25-05

