

MODEL	ACTUATOR	VALVE SIZE	A	B	C	D	E	F	G
50F61302D31	APU30DA	2	8.31	3.23	5.53	4.37	4.13	3.94	1.63
50F61325D32	APU52DA	2 1/2	9.34	3.73	6.38	4.84	4.83	4.50	1.75
50F61303D32	APU52DA	3	9.72	3.73	6.38	4.84	5.38	4.88	1.75
50F61304D33	APU73DA	4	10.95	3.90	7.20	4.95	6.88	6.00	2.00
50F61305D33	APU73DA	5	10.95	3.90	7.20	4.95	7.63	6.00	2.13
50F61306D08	AP148DA	6	12.95	4.72	8.77	6.45	8.75	6.50	2.13
50F61308D09	AP222DA	8	15.02	4.72	11.52	6.71	11.00	8.31	2.50
50F61310D37	APU295DA	10	16.51	5.39	11.75	7.51	13.38	9.00	2.50
50F61312D38	APU470DA	12	19.98	6.77	13.27	9.70	16.13	10.28	3.00

BUTTERFLY VALVE
SERIES 500182700

BODY: DUCTILE IRON WAFER STYLE
DISC: NICKEL PLATED DUCTILE IRON
STEM: TYPE 17-4 STAINLESS STEEL
SEAT: BLACK NITRILE (SANITARY BUNA N)

ACTUATOR OPERATION - 80 PSIG CLEAN LUBRICATED AIR
MAXIMUM 150 PSIG

**UNCONTROLLED
DRAWING**

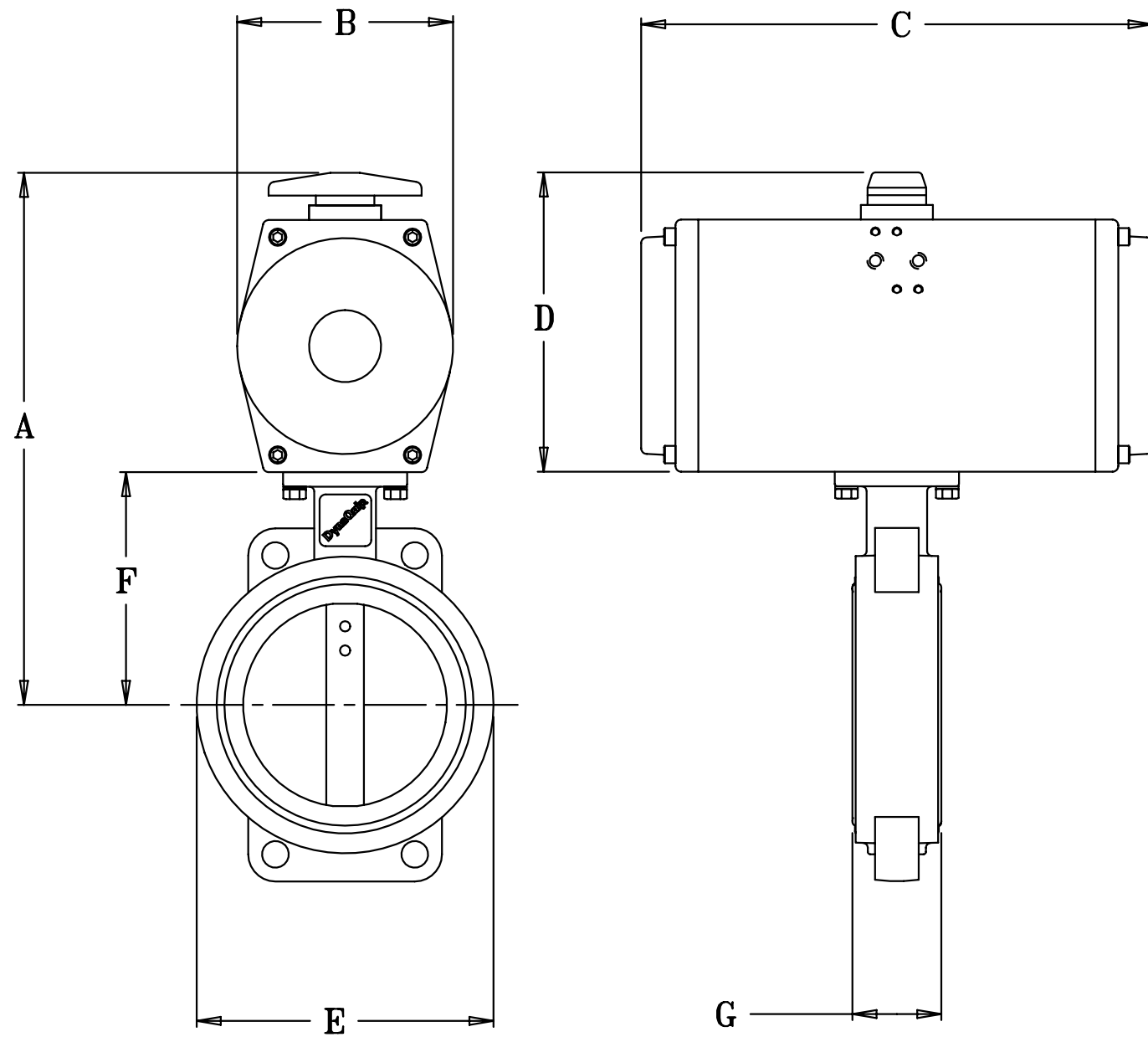
THIS PRINT IS THE PROPERTY OF DYNAQUIP CONTROLS AND SHALL NOT BE COPIED, REPRODUCED, LOANED, OR DISPOSED OF DIRECTLY OR INDIRECTLY, NOR USED FOR ANY PURPOSE OTHER THAN THAT FOR WHICH IT IS SPECIFICALLY FURNISHED EXCEPT BY WRITTEN PERMISSION OF DYNAQUIP CONTROLS.

NO. 500 - ACT AP/DA FILE NO. SLB149

TITLE
BUTTERFLY VALVE
500 WAFER SERIES
PNEUMATIC DA ACTUATOR

DR	DATE	CH'KD	DATE	ENGR	DATE
FBA	11-01-05	MJP	08-25-05	MJP	08-25-05





MODEL	ACTUATOR	VALVE SIZE	A	B	C	D	E	F	G
50F61302S324	APU52SR4	2	8.78	3.73	6.38	4.84	4.13	3.94	1.63
50F61325S065	AP73SR5	2 1/2	9.45	3.90	7.20	4.95	4.83	4.50	1.75
50F61303S065	AP73SR5	3	9.83	3.90	7.20	4.95	5.38	4.88	1.75
50F61304S345	APU103SR5	4	11.55	4.40	8.30	5.55	6.88	6.00	2.00
50F61305S085	AP148SR5	5	12.45	4.72	8.77	6.45	7.63	6.00	2.13
50F61306S104	AP295SR4	6	14.01	5.39	11.75	7.51	8.75	6.50	2.13
50F61308S385	APU470SR5	8	18.01	6.77	13.27	9.70	11.00	8.31	2.50
50F61310S395	APU586SR5	10	18.70	6.77	14.49	9.70	13.38	9.00	2.50
50F61312S405	APU900SR5	12	22.05	8.82	16.62	11.77	16.13	10.28	3.00

BUTTERFLY VALVE
SERIES 500182700

BODY: DUCTILE IRON WAFER STYLE
DISC: NICKEL PLATED DUCTILE IRON
STEM: TYPE 416 STAINLESS STEEL
SEAT: BLACK NITRILE (SANITARY BUANA)

ACTUATOR OPERATION - 80 PSIG CLEAN LUBRICATED AIR
MAXIMUM 150 PSIG

**UNCONTROLLED
DRAWING**

THIS PRINT IS THE PROPERTY
OF DYNAQUIP CONTROLS AND
SHALL NOT BE COPIED,
REPRODUCED, LOANED,
OR DISPOSED OF DIRECTLY
OR INDIRECTLY, NOR USED
FOR ANY PURPOSE OTHER THAN
THAT FOR WHICH IT IS
SPECIFICALLY FURNISHED
EXCEPT BY WRITTEN
PERMISSION OF
DYNAQUIP CONTROLS.

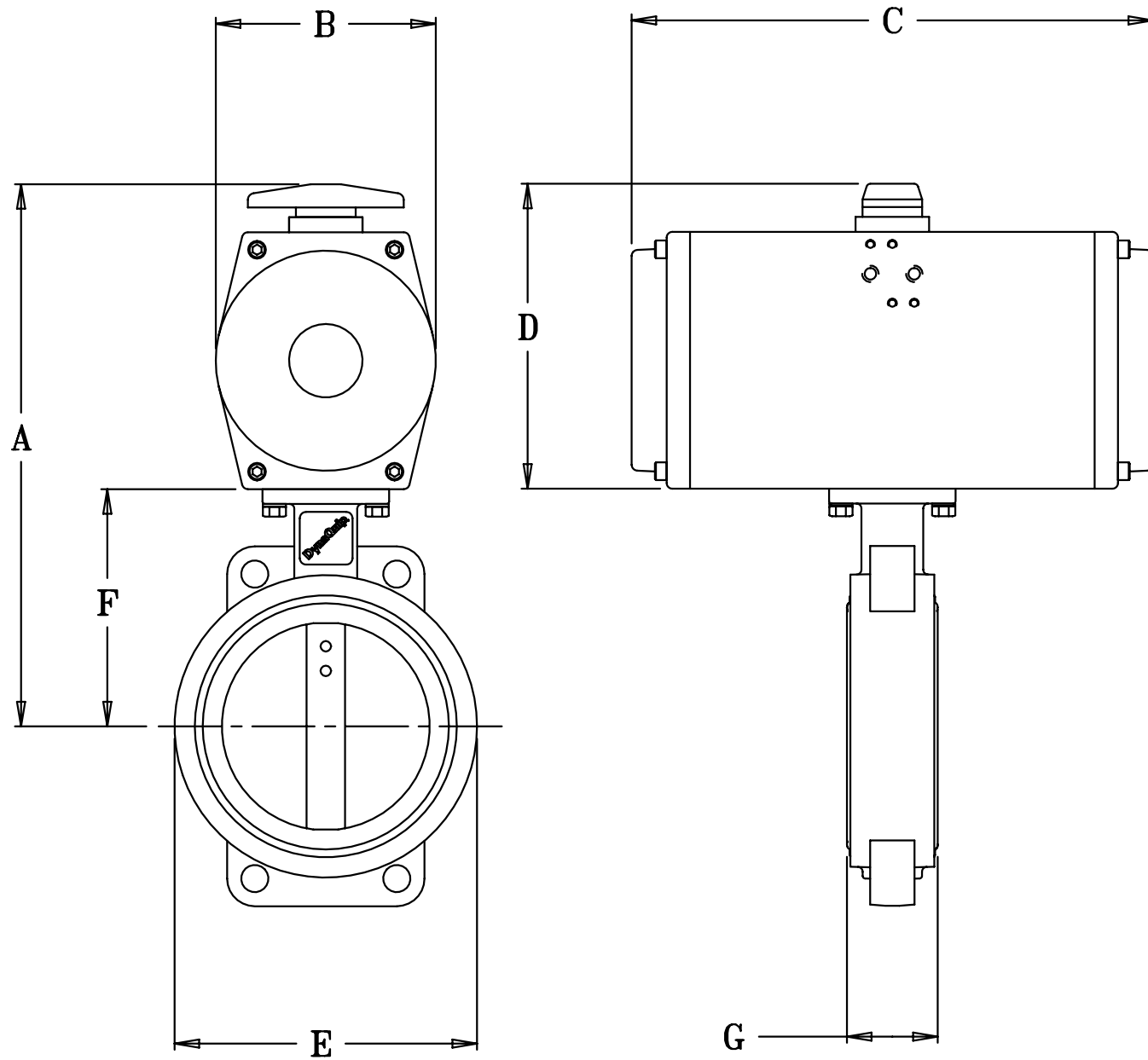
NO. 500 - ACT AP/SR

FILE NO.
SLB150

TITLE
BUTTERFLY VALVE
500 WAFER SERIES
PNEUMATIC SR NC ACTUATOR

DR	DATE	CH'KD	DATE	ENGR	DATE
FBA	11-01-05	MJP	08-25-05	MJP	08-25-05





MODEL	ACTUATOR	VALVE SIZE	A	B	C	D	E	F	G
50F61302S324F	APU52SR4F	2	8.78	3.73	6.38	4.84	4.13	3.94	1.63
50F61325S064F	AP73SR4F	2 1/2	9.45	3.90	7.20	4.95	4.83	4.50	1.75
50F61303S064F	AP73SR4F	3	9.83	3.90	7.20	4.95	5.38	4.88	1.75
50F61304S344F	APU103SR4F	4	11.55	4.40	8.30	5.55	6.88	6.00	2.00
50F61305S084F	AP148SR4F	5	12.45	4.72	8.77	6.45	7.63	6.00	2.13
50F61306S104F	AP295SR4F	6	14.01	5.39	11.75	7.51	8.75	6.50	2.13
50F61308S384F	APU470SR4F	8	18.01	6.77	13.27	9.70	11.00	8.31	2.50
50F61310S394F	APU586SR4F	10	18.70	6.77	14.49	9.70	13.38	9.00	2.50
50F61312S404F	APU900SR4F	12	22.05	8.82	16.62	11.77	16.13	10.28	3.00

BUTTERFLY VALVE
SERIES 500182700

BODY: DUCTILE IRON WAFER STYLE
DISC: NICKEL PLATED DUCTILE IRON
STEM: TYPE 416 STAINLESS STEEL
SEAT: BLACK NITRILE (SANITARY BUANA)

ACTUATOR OPERATION - 80 PSIG CLEAN LUBRICATED AIR
MAXIMUM 150 PSIG

**UNCONTROLLED
DRAWING**

THIS PRINT IS THE PROPERTY
OF DYNAQUIP CONTROLS AND
SHALL NOT BE COPIED,
REPRODUCED, LOANED,
OR DISPOSED OF DIRECTLY
OR INDIRECTLY, NOR USED
FOR ANY PURPOSE OTHER THAN
THAT FOR WHICH IT IS
SPECIFICALLY FURNISHED
EXCEPT BY WRITTEN
PERMISSION OF
DYNAQUIP CONTROLS.

NO. 500 - ACT AP/SR

**FILE NO.
SLB151**

TITLE

**BUTTERFLY VALVE
500 WAFER SERIES
PNEUMATIC SR NO ACTUATOR**

DR

FBA

DATE

07-19-05

CH'KD

MJP

DATE

08-25-05

ENGR

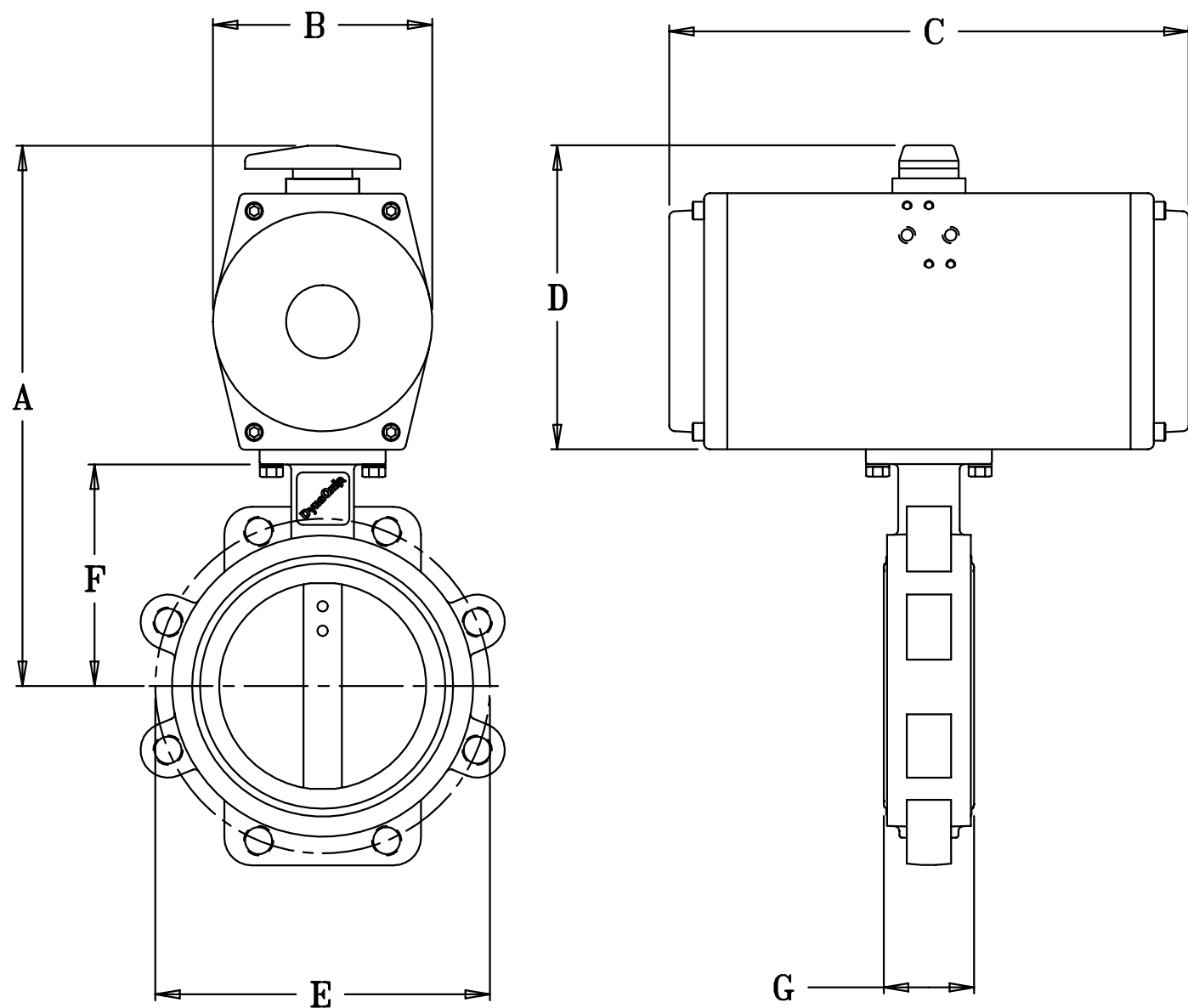
MJP

DATE

08-25-05



**DynaQuip
Controls**



MODEL	ACTUATOR	VALVE SIZE	A	B	C	D	E	F	G
52F61302D31	APU30DA	2	8.31	3.23	5.53	4.37	4.75	3.94	1.63
52F61325D32	APU52DA	2 1/2	9.34	3.73	6.38	4.84	5.50	4.50	1.75
52F61303D32	APU52DA	3	9.72	3.73	6.38	4.84	6.00	4.88	1.75
52F61304D33	APU73DA	4	10.95	3.90	7.20	4.95	7.50	6.00	2.00
52F61305D33	APU73DA	5	10.95	3.90	7.20	4.95	8.50	6.00	2.13
52F61306D08	AP148DA	6	12.95	4.72	8.77	6.45	9.50	6.50	2.13
52F61308D09	AP222DA	8	15.02	4.72	11.52	6.71	11.75	8.31	2.50
52F61310D37	APU295DA	10	16.51	5.39	11.75	7.51	14.25	9.00	2.50
52F61312D38	APU470DA	12	19.98	6.77	13.27	9.70	17.00	10.28	3.00

BUTTERFLY VALVE
SERIES 522182700

BODY: DUCTILE IRON LUG STYLE
DISC: NICKEL PLATED DUCTILE IRON
STEM: TYPE 416 STAINLESS STEEL
SEAT: BLACK NITRILE (SANITARY BUNA N)

ACTUATOR OPERATION - 80 PSIG CLEAN LUBRICATED AIR
MAXIMUM 150 PSIG

**UNCONTROLLED
DRAWING**

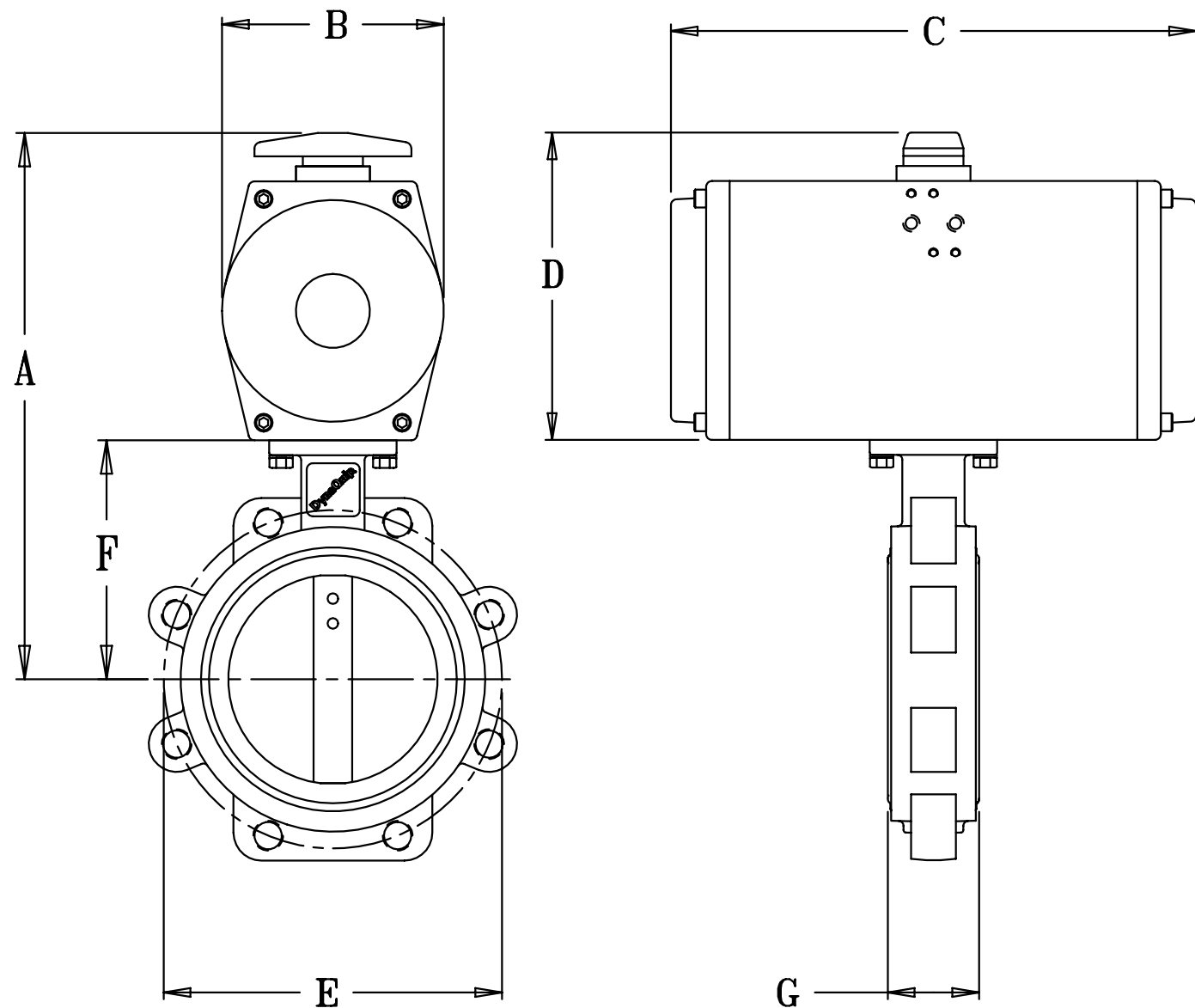
THIS PRINT IS THE PROPERTY OF DYNAQUIP CONTROLS AND SHALL NOT BE COPIED, REPRODUCED, LOANED, OR DISPOSED OF DIRECTLY OR INDIRECTLY, NOR USED FOR ANY PURPOSE OTHER THAN THAT FOR WHICH IT IS SPECIFICALLY FURNISHED EXCEPT BY WRITTEN PERMISSION OF DYNAQUIP CONTROLS.

NO. 522 - ACT AP/DA FILE NO. SUB153

TITLE
BUTTERFLY VALVE
522 LUG SERIES
PNEUMATIC DA ACTUATOR

DR	DATE	CH'KD	DATE	ENGR	DATE
FBA	11-01-05	MJP	08-30-05	MJP	08-30-05





MODEL	ACTUATOR	VALVE SIZE	A	B	C	D	E	F	G
52F61302S324	APU52SR4	2	8.78	3.73	6.38	4.84	4.75	3.94	1.63
52F61325S065	AP73SR5	2 1/2	9.45	3.90	7.20	4.95	5.50	4.50	1.75
52F61303S065	AP73SR5	3	9.83	3.90	7.20	4.95	6.00	4.88	1.75
52F61304S345	APU103SR5	4	11.55	4.40	8.30	5.55	7.50	6.00	2.00
52F61305S085	AP148SR5	5	12.45	4.72	8.77	6.45	8.50	6.00	2.13
52F61306S104	AP295SR4	6	14.01	5.39	11.75	7.51	9.50	6.50	2.13
52F61308S385	APU470SR5	8	18.01	6.77	13.27	9.70	11.75	8.31	2.50
52F61310S395	APU586SR5	10	18.70	6.77	14.49	9.70	14.25	9.00	2.50
52F61312S405	APU900SR5	12	22.05	8.82	16.62	11.77	17.00	10.28	3.00

BUTTERFLY VALVE
SERIES 522182700

BODY: DUCTILE IRON LUG STYLE
DISC: NICKEL PLATED DUCTILE IRON
STEM: TYPE 416 STAINLESS STEEL
SEAT: BLACK NITRILE (SANITARY BUINA)

ACTUATOR OPERATION - 80 PSIG CLEAN LUBRICATED AIR
MAXIMUM 150 PSIG

**UNCONTROLLED
DRAWING**

THIS PRINT IS THE PROPERTY
OF DYNAQUIP CONTROLS AND
SHALL NOT BE COPIED,
REPRODUCED, LOANED,
OR DISPOSED OF DIRECTLY
OR INDIRECTLY, NOR USED
FOR ANY PURPOSE OTHER THAN
THAT FOR WHICH IT IS
SPECIFICALLY FURNISHED
EXCEPT BY WRITTEN
PERMISSION OF
DYNAQUIP CONTROLS.

NO. 522 - ACT AP/SR

FILE NO.
SUB154

TITLE

**BUTTERFLY VALVE
522 LUG SERIES
PNEUMATIC SR NC ACTUATOR**

DR

FBA

DATE

11-01-05

CH'KD

MJP

DATE

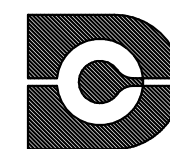
08-25-05

ENGR

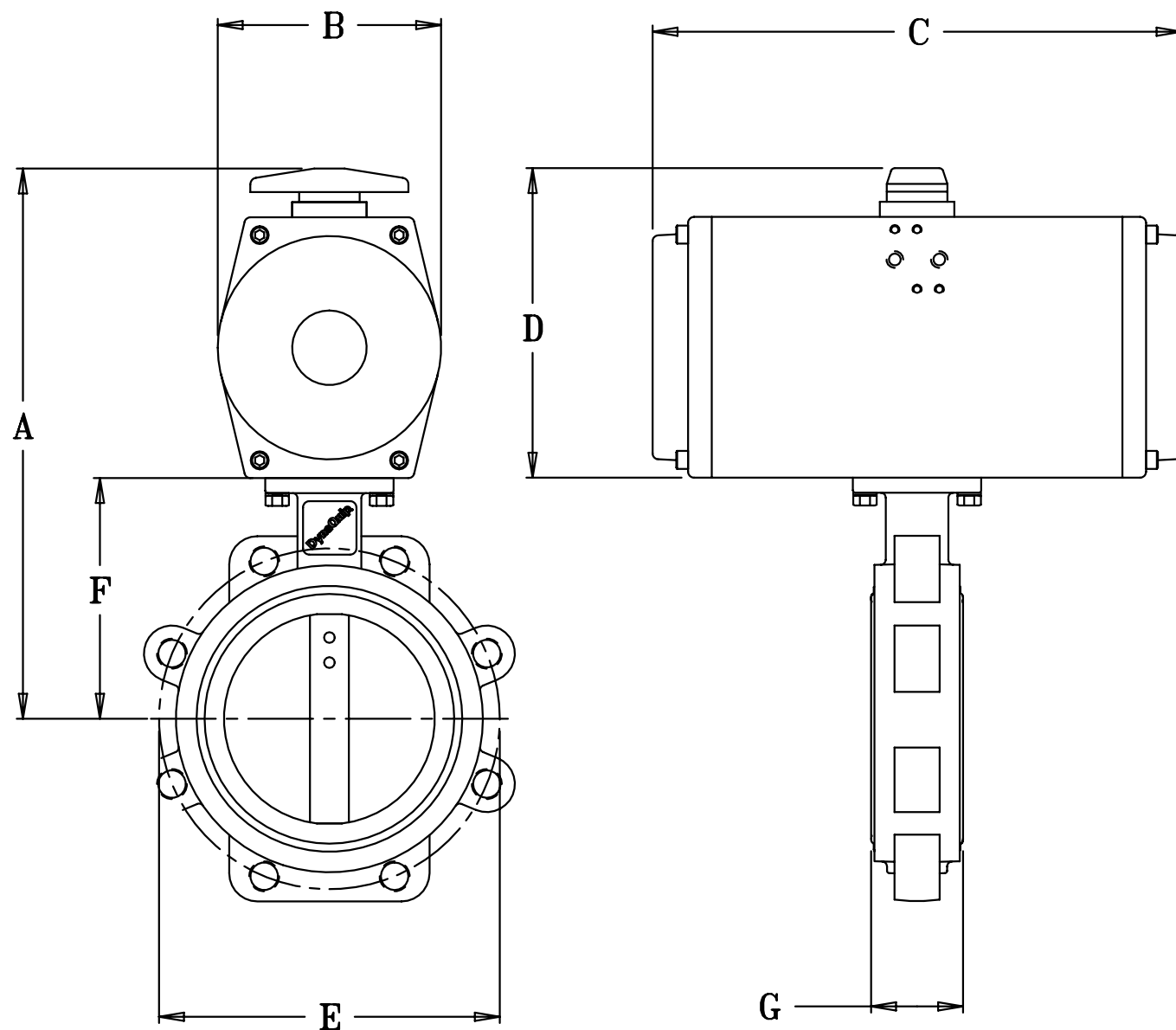
MJP

DATE

08-25-05



**DynaQuip
Controls**



MODEL	ACTUATOR	VALVE SIZE	A	B	C	D	E	F	G
52F61302S324F	APU52SR4F	2	8.78	3.73	6.38	4.84	4.75	3.94	1.63
52F61325S064F	AP73SR4F	2 1/2	9.45	3.90	7.20	4.95	5.50	4.50	1.75
52F61303S064F	AP73SR4F	3	9.83	3.90	7.20	4.95	6.00	4.88	1.75
52F61304S344F	APU103SR4F	4	11.55	4.40	8.30	5.55	7.50	6.00	2.00
52F61305S084F	AP148SR4F	5	12.45	4.72	8.77	6.45	8.50	6.00	2.13
52F61306S104F	AP295SR4F	6	14.01	5.39	11.75	7.51	9.50	6.50	2.13
52F61308S384F	APU470SR4F	8	18.01	6.77	13.27	9.70	11.75	8.31	2.50
52F61310S394F	APU586SR4F	10	18.70	6.77	14.49	9.70	14.25	9.00	2.50
52F61312S404F	APU900SR4F	12	22.05	8.82	16.62	11.77	17.00	10.28	3.00

BUTTERFLY VALVE
SERIES 522182700

BODY: DUCTILE IRON LUG STYLE
DISC: NICKEL PLATED DUCTILE IRON
STEM: TYPE 416 STAINLESS STEEL
SEAT: BLACK NITRILE (SANITARY BUANA)

ACTUATOR OPERATION - 80 PSIG CLEAN LUBRICATED AIR
MAXIMUM 150 PSIG

**UNCONTROLLED
DRAWING**

THIS PRINT IS THE PROPERTY
OF DYNAQUIP CONTROLS AND
SHALL NOT BE COPIED,
REPRODUCED, LOANED,
OR DISPOSED OF DIRECTLY
OR INDIRECTLY, NOR USED
FOR ANY PURPOSE OTHER THAN
THAT FOR WHICH IT IS
SPECIFICALLY FURNISHED
EXCEPT BY WRITTEN
PERMISSION OF
DYNAQUIP CONTROLS.

NO. 522 - ACT AP/SR

**FILE NO.
SUB155**

TITLE
BUTTERFLY VALVE FAIL OPEN
522 LUG SERIES
PNEUMATIC SR NO ACTUATOR

DR	DATE	CH' KD	DATE	ENGR	DATE
FBA	11-01-05	MJP	08-25-05	MJP	08-25-05

