

MODEL	ACTUATOR	VALVE SIZE	A	B	C	D	E	F	G
50F61302E01	MA7	2	13.98	13.00	7.87	10.04	4.13	3.94	1.63
50F61325E01	MA7	2 1/2	14.54	13.00	7.87	10.04	4.83	4.50	1.75
50F61303E01	MA7	3	14.92	13.00	7.87	10.04	5.38	4.88	1.75
50F61304E01	MA7	4	16.04	13.00	7.87	10.04	6.88	6.00	2.00
50F61305E01	MA7	5	16.04	13.00	7.87	10.04	7.63	6.00	2.13
50F61306E02	MA13	6	16.54	13.00	7.87	10.04	8.75	6.50	2.13
50F61308E13	MA20	8	19.67	13.00	7.87	11.36	11.00	8.31	2.50
50F61310E03	MA35	10	21.40	14.96	11.81	12.40	13.38	9.00	2.50
50F61312E04	MA44	12	22.68	14.96	11.81	12.40	16.13	10.28	3.00

**BUTTERFLY VALVE
SERIES 500182700**

BODY: DUCTILE IRON WAFER STYLE
DISC: NICKEL PLATED DUCTILE IRON
STEM: TYPE 17-4 STAINLESS STEEL
SEAT: BLACK NITRILE (SANITARY BUANA N)

MA SERIES ELECTRIC ACTUATOR
120 VAC 60 HZ
2 EXTRA LIMIT SWITCHES

**UNCONTROLLED
DRAWING**

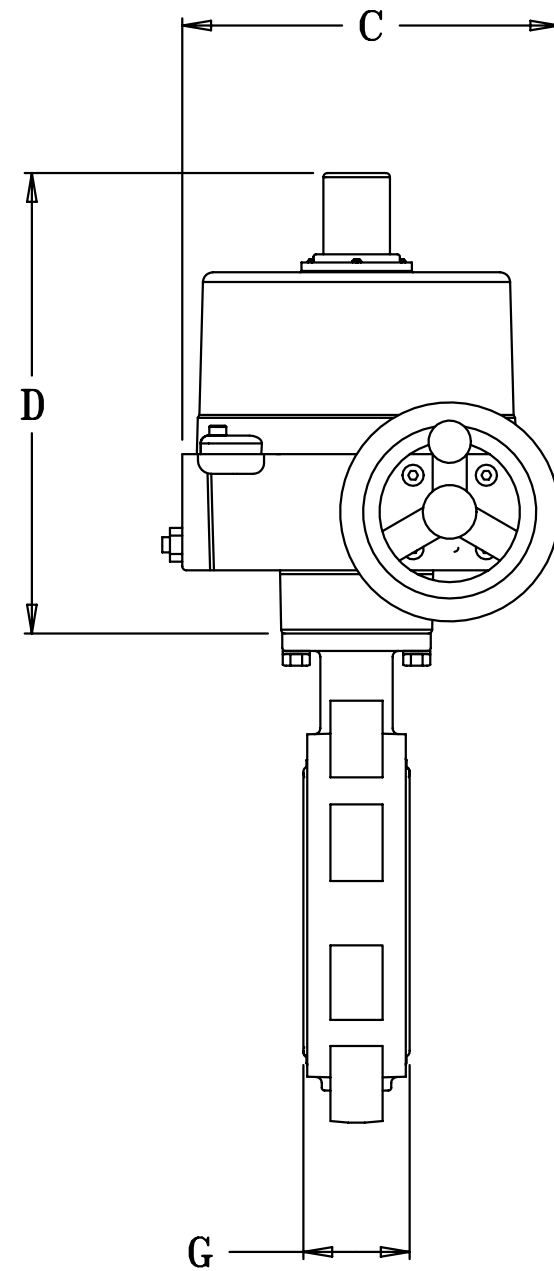
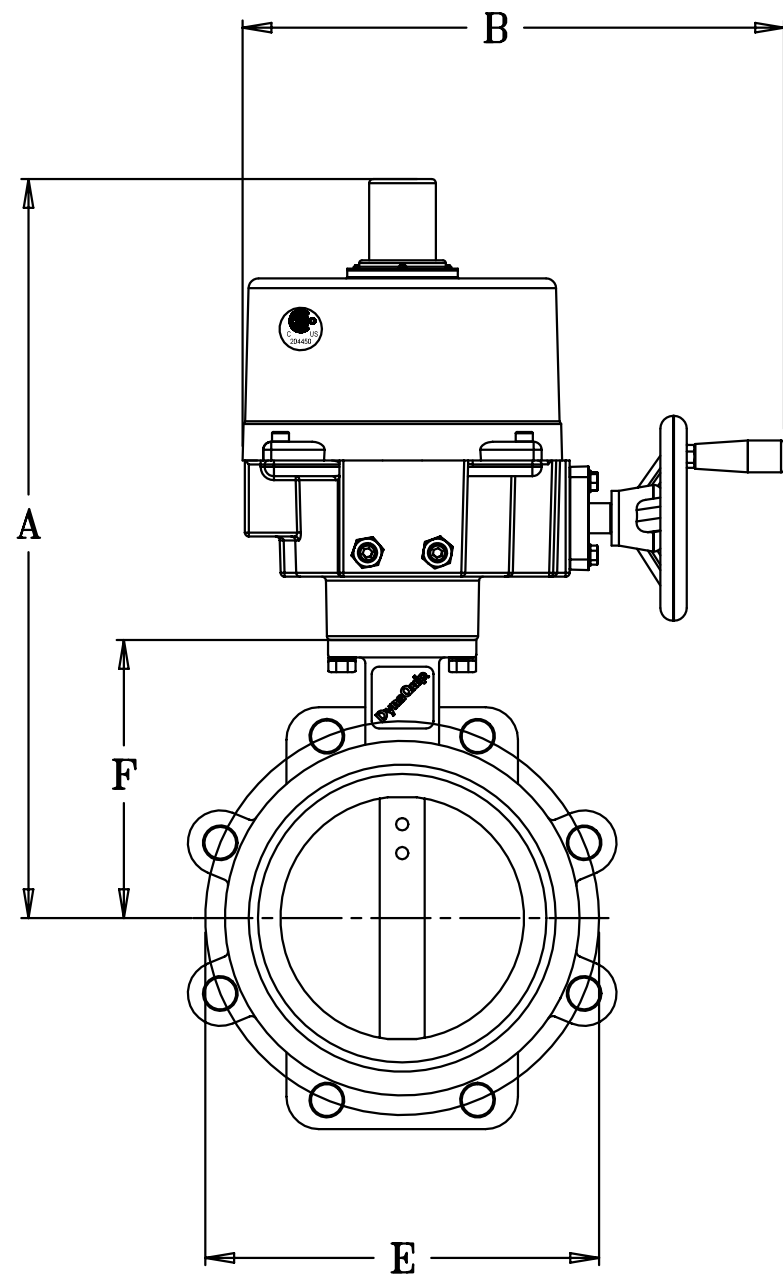
THIS PRINT IS THE PROPERTY OF DYNAQUIP CONTROLS AND SHALL NOT BE COPIED, REPRODUCED, LOANED, OR DISPOSED OF DIRECTLY OR INDIRECTLY, NOR USED FOR ANY PURPOSE OTHER THAN THAT FOR WHICH IT IS SPECIFICALLY FURNISHED EXCEPT BY WRITTEN PERMISSION OF DYNAQUIP CONTROLS.

NO. 500 - ACT MA **FILE NO.**
SUB152

TITLE
**BUTTERFLY VALVE
500 WAFER SERIES
ELECTRIC ACTUATOR**

DR	DATE	CH'KD	DATE	ENGR	DATE
FBA	11-01-05	MJP	08-25-05	MJP	08-25-05





MODEL	ACTUATOR	VALVE SIZE	A	B	C	D	E	F	G
52F61302E01	MA7	2	13.98	13.00	7.87	10.04	4.75	3.94	1.63
52F61325E01	MA7	2 1/2	14.54	13.00	7.87	10.04	5.50	4.50	1.75
52F61303E01	MA7	3	14.92	13.00	7.87	10.04	6.00	4.88	1.75
52F61304E01	MA7	4	16.04	13.00	7.87	10.04	7.50	6.00	2.00
52F61305E01	MA7	5	16.04	13.00	7.87	10.04	8.50	6.00	2.13
52F61306E02	MA13	6	16.54	13.00	7.87	10.40	9.50	6.50	2.13
52F61308E13	MA20	8	19.67	13.00	7.87	11.36	11.75	8.31	2.50
52F61310E03	MA35	10	21.40	14.96	11.81	12.40	14.25	9.00	2.50
52F61312E04	MA44	12	22.68	14.96	11.81	12.40	17.00	10.28	3.00

BUTTERFLY VALVE
SERIES 522182700

BODY: DUCTILE IRON LUG STYLE
DISC: NICKEL PLATED DUCTILE IRON
STEM: TYPE 416 STAINLESS STEEL
SEAT: BLACK NITRILE (SANITARY BUANA)

MA SERIES ELECTRIC ACTUATOR
120 VAC 60 HZ
2 EXTRA LIMIT SWITCHES

**UNCONTROLLED
DRAWING**

THIS PRINT IS THE PROPERTY
OF DYNAQUIP CONTROLS AND
SHALL NOT BE COPIED,
REPRODUCED, LOANED,
OR DISPOSED OF DIRECTLY
OR INDIRECTLY, NOR USED
FOR ANY PURPOSE OTHER THAN
THAT FOR WHICH IT IS
SPECIFICALLY FURNISHED
EXCEPT BY WRITTEN
PERMISSION OF
DYNAQUIP CONTROLS.

NO. 522 - ACT MA **FILE NO.**
SLB 156

TITLE
BUTTERFLY VALVE
522 LUG SERIES
ELECTRIC ACTUATOR

DR	DATE	CH'KD	DATE	ENGR	DATE
FBA	11-01-05	MJP	08-25-05	MJP	08-25-05

