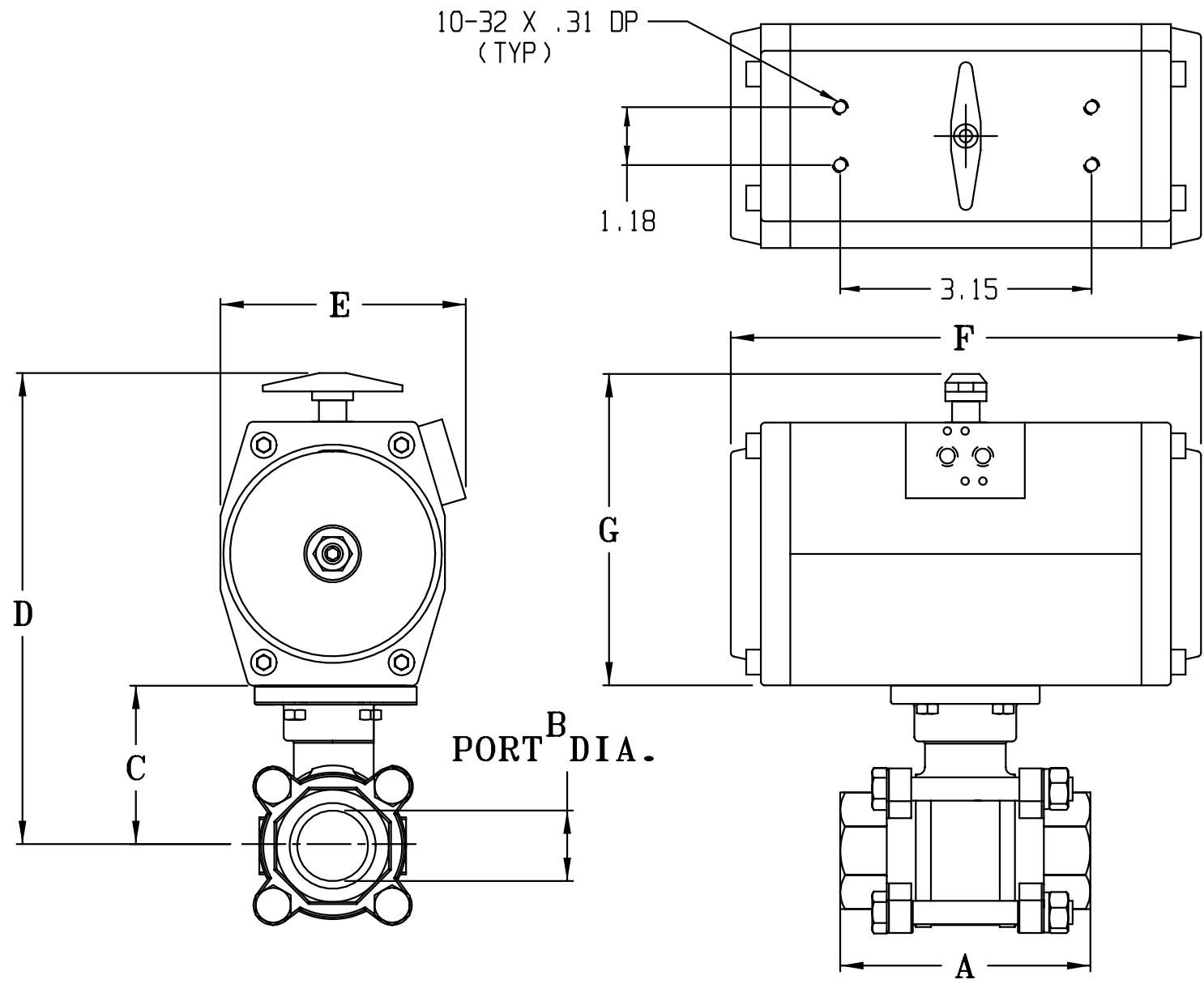


MODEL	PVS21AJD01	PVS22AJD01	PVS23AJD01	PVS24AJD01	PVS25AJD02	PVS26AJD03	PVS27AJD05	PVS28AJD06	PVS29AJD08	PVS2AAJD09
ACTUATOR	AP10DA	AP10DA	AP10DA	AP10DA	AP20DA	AP30DA	AP52DA	AP73DA	AP148DA	AP222DA
SIZE	1/4 NPT	3/8 NPT	1/2 NPT	3/4 NPT	1 NPT	1 1/4 NPT	1 1/2 NPT	2 NPT	2 1/2 NPT	3 NPT
A	2.50	2.50	2.62	3.00	3.38	4.06	4.68	5.17	6.46	7.19
B	0.45	0.50	0.59	0.79	0.99	1.26	1.50	1.97	2.56	3.15
C	1.65	1.65	1.65	1.89	2.23	2.40	3.05	3.36	4.28	4.63
D	5.15	5.15	5.15	5.39	6.05	6.77	7.89	8.31	10.73	11.34
E	2.61	2.61	2.61	2.61	2.82	3.23	3.94	3.90	4.72	4.72
F	4.65	4.65	4.65	4.65	5.26	5.53	6.38	7.20	8.77	11.52
G	3.50	3.50	3.50	3.50	3.82	4.37	4.84	4.95	6.45	6.71
MAX. ΔPSI	300 CWP	300 CWP	300 CWP	300 CWP	300 CWP	300 CWP	300 CWP	300 CWP	300 CWP	300 CWP
WT. LBS	2.41	2.36	2.46	2.82	4.73	7.14	11.28	14.01	30.21	40.91



VALVE DATA

BODY/END CAP	ASTM A351 GR. CF8M (316 SS)
STEM	316 STAINLESS STEEL
BALL	316 STAINLESS STEEL
SEATS	RTFE
THRUSTWASHER	PTFE
STEM SEAL	PTFE / VITON O-RING

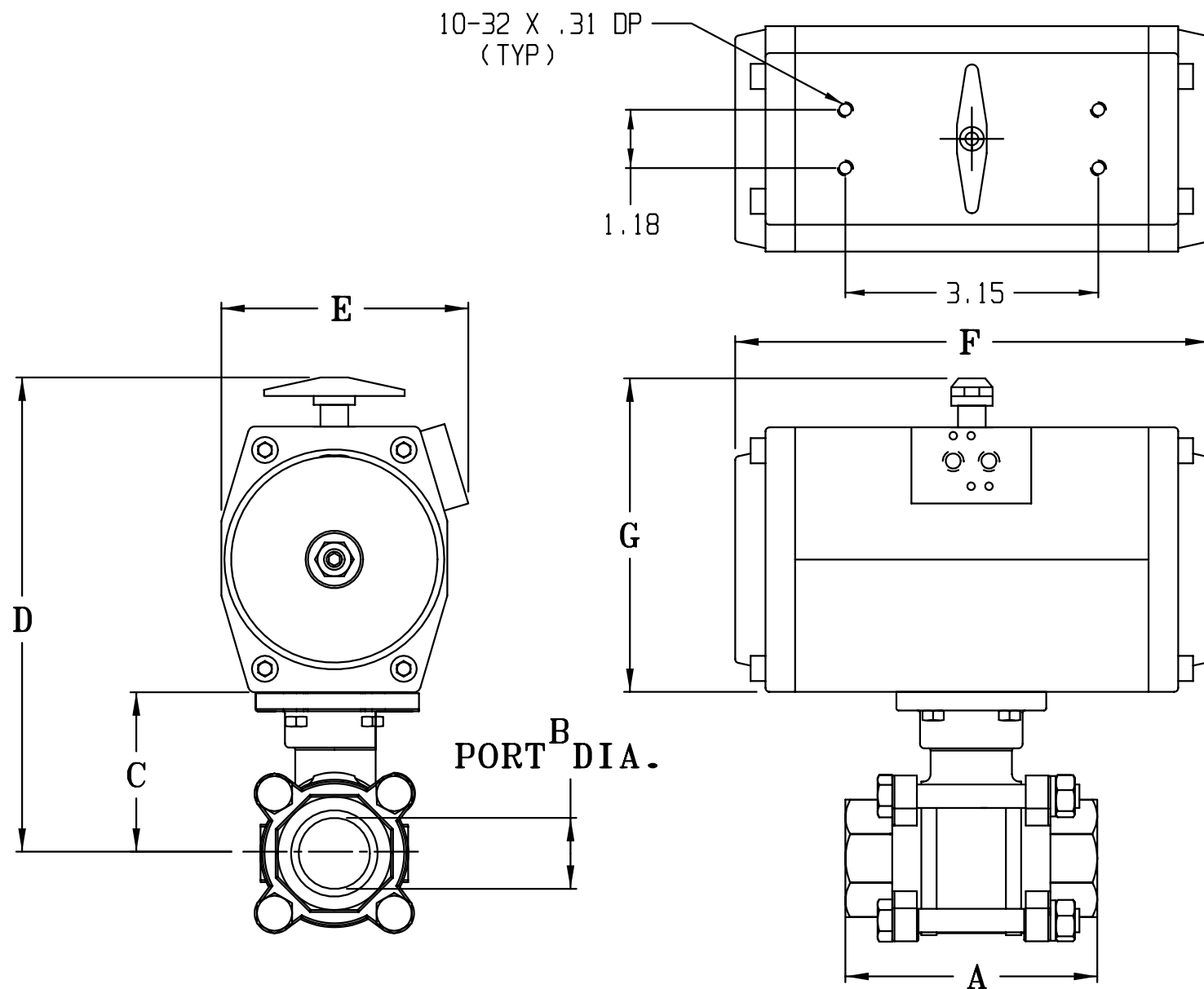
UNCONTROLLED DRAWING

THIS PRINT IS THE PROPERTY OF DYNAQUIP CONTROLS AND SHALL NOT BE COPIED, REPRODUCED, LOANED, OR DISPOSED OF DIRECTLY OR INDIRECTLY, NOR USED FOR ANY PURPOSE OTHER THAN THAT FOR WHICH IT IS SPECIFICALLY FURNISHED EXCEPT BY WRITTEN PERMISSION OF DYNAQUIP CONTROLS.

NO.	VVS SERIES		FILE NO.	SUB167	
TITLE	BALL VALVE 316 SS - FULL PORT - NPT AP-DA ACTUATOR				
DR	DATE	CH' KD	DATE	ENGR	DATE
FBA	07-26-05	LJH	08-24-05	LJH	08-24-05



MODEL	PVS21AJS024	PVS22AJS024	PVS23AJS024	PVS24AJS024	PVS25AJS034	PVS26AJS064	PVS27AJS075	PVS28AJS084	PVS29AJS105	PVS2AAJS115
ACTUATOR	AP20SR4	AP20SR4	AP20SR4	AP20SR4	AP30SR4	AP73SR4	AP103SR5	AP148SR4	AP295SR5	AP470SR5
SIZE	1/4 NPT	3/8 NPT	1/2 NPT	3/4 NPT	1 NPT	1 1/4 NPT	1 1/2 NPT	2 NPT	2 1/2 NPT	3 NPT
A	2.50	2.50	2.62	3.00	3.38	4.06	4.68	5.17	6.46	7.19
B	0.45	0.50	0.59	0.79	0.99	1.26	1.50	1.97	2.56	3.15
C	1.65	1.65	1.65	1.89	2.23	2.40	3.05	3.36	4.28	4.63
D	5.47	5.47	5.47	5.71	6.60	7.35	9.50	9.81	11.79	14.33
E	2.82	2.82	2.82	2.82	3.23	3.90	4.40	4.72	5.40	6.77
F	5.26	5.26	5.26	5.26	5.53	7.20	8.77	8.77	11.75	13.27
G	3.82	3.82	3.82	3.82	4.37	4.95	6.45	6.45	7.51	9.70
MAX. ΔPSI	300 CWP	300 CWP	300 CWP	300 CWP	300 CWP	300 CWP	300 CWP	300 CWP	300 CWP	300 CWP
WT. LBS	3.39	3.34	3.44	3.80	5.73	9.67	14.37	19.08	38.37	56.92



VALVE DATA

BODY/END CAP	ASTM A351 GR. CF8M (316 SS)
STEM	316 STAINLESS STEEL
BALL	316 STAINLESS STEEL
SEATS	RTFE
THRUSTWASHER	PTFE
STEM SEAL	PTFE / VITON O-RING

**UNCONTROLLED
DRAWING**

THIS PRINT IS THE PROPERTY OF DYNAQUIP CONTROLS AND SHALL NOT BE COPIED, REPRODUCED, LOANED, OR DISPOSED OF DIRECTLY OR INDIRECTLY, NOR USED FOR ANY PURPOSE OTHER THAN THAT FOR WHICH IT IS SPECIFICALLY FURNISHED EXCEPT BY WRITTEN PERMISSION OF DYNAQUIP CONTROLS.

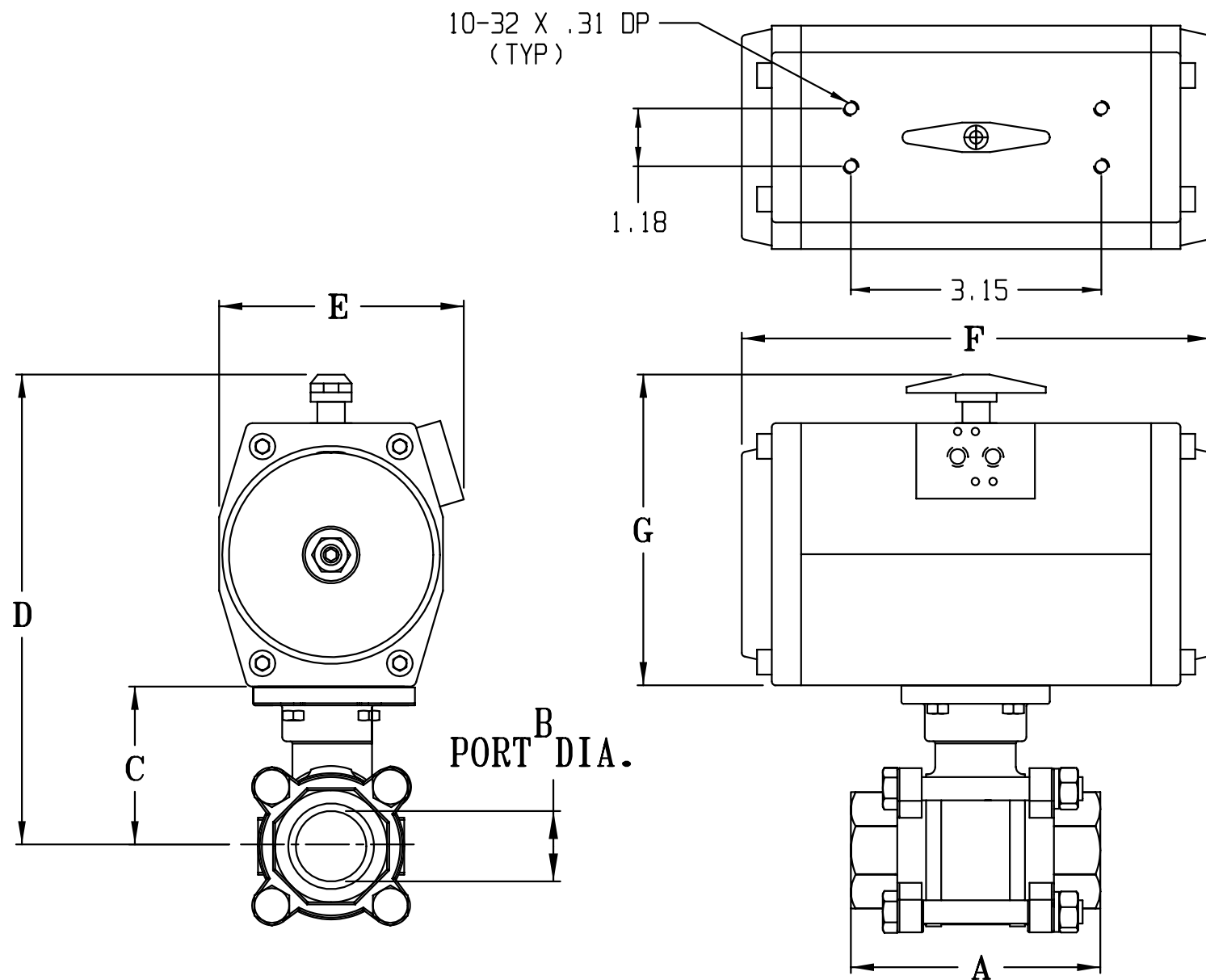
NO. VVS SERIES **FILE NO.**
SUB168

TITLE
BALL VALVE
316 SS - FULL PORT - NPT
AP-SR NC ACTUATOR

DR	DATE	CH'KD	DATE	ENGR	DATE
FBA	07-26-05	LJH	08-24-05	LJH	08-24-05



MODEL	PVS21AJS023F	PVS22AJS023F	PVS23AJS023F	PVS24AJS024F	PVS25AJS034F	PVS26AJS063F	PVS27AJS074F	PVS28AJS084F	PVS29AJS104F	PVS2AAJS114F
ACTUATOR	AP20SR3F	AP20SR3F	AP20SR3F	AP20SR4F	AP30SR4F	AP73SR3F	AP103SR4F	AP148SR4F	AP295SR4F	AP470SR4F
SIZE	1/4 NPT	3/8 NPT	1/2 NPT	3/4 NPT	1 NPT	1 1/4 NPT	1 1/2 NPT	2 NPT	2 1/2 NPT	3 NPT
A	2.50	2.50	2.62	3.00	3.38	4.06	4.68	5.17	6.46	7.19
B	0.45	0.50	0.59	0.79	0.99	1.26	1.50	1.97	2.56	3.15
C	1.65	1.65	1.65	1.89	2.23	2.40	3.05	3.36	4.28	4.63
D	5.47	5.47	5.47	5.71	6.60	7.35	9.50	9.81	11.79	14.33
E	2.82	2.82	2.82	2.82	3.23	3.90	4.40	4.72	5.40	6.77
F	5.26	5.26	5.26	5.26	5.53	7.20	8.77	8.77	11.75	13.27
G	3.82	3.82	3.82	3.82	4.37	4.95	6.45	6.45	7.51	9.70
MAX. ΔPSI	300 CWP	300 CWP	300 CWP	300 CWP	300 CWP	300 CWP	300 CWP	300 CWP	300 CWP	300 CWP
WT. LBS	3.39	3.34	3.44	3.80	5.73	9.67	14.37	19.08	38.37	56.92



VALVE DATA

BODY/END CAP	ASTM A351 GR. CF8M (316 SS)
STEM	316 STAINLESS STEEL
BALL	316 STAINLESS STEEL
SEATS	RTFE
THRUSTWASHER	PTFE
STEM SEAL	PTFE / VITON O-RING

**UNCONTROLLED
DRAWING**

THIS PRINT IS THE PROPERTY OF DYNAQUIP CONTROLS AND SHALL NOT BE COPIED, REPRODUCED, LOANED, OR DISPOSED OF DIRECTLY OR INDIRECTLY, NOR USED FOR ANY PURPOSE OTHER THAN THAT FOR WHICH IT IS SPECIFICALLY FURNISHED EXCEPT BY WRITTEN PERMISSION OF DYNAQUIP CONTROLS.

NO.	VVS SERIES				FILE NO.	SUB169
TITLE	BALL VALVE					
	316 SS - FULL PORT - NPT					
	AP-SR NO ACTUATOR					

DR	DATE	CH'KD	DATE	ENGR	DATE
FBA	07-26-05	LJH	08-24-05	LJH	08-24-05

