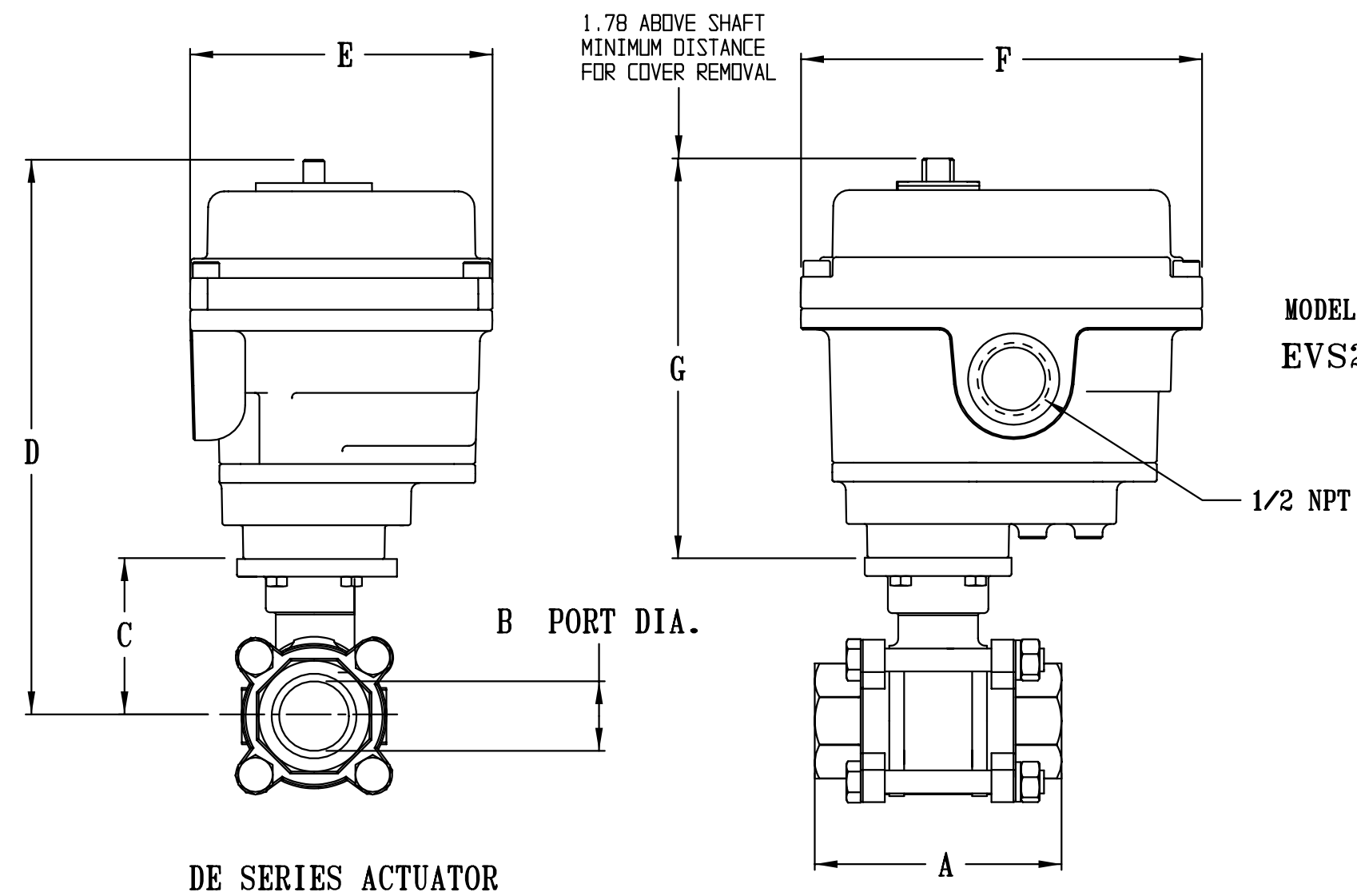
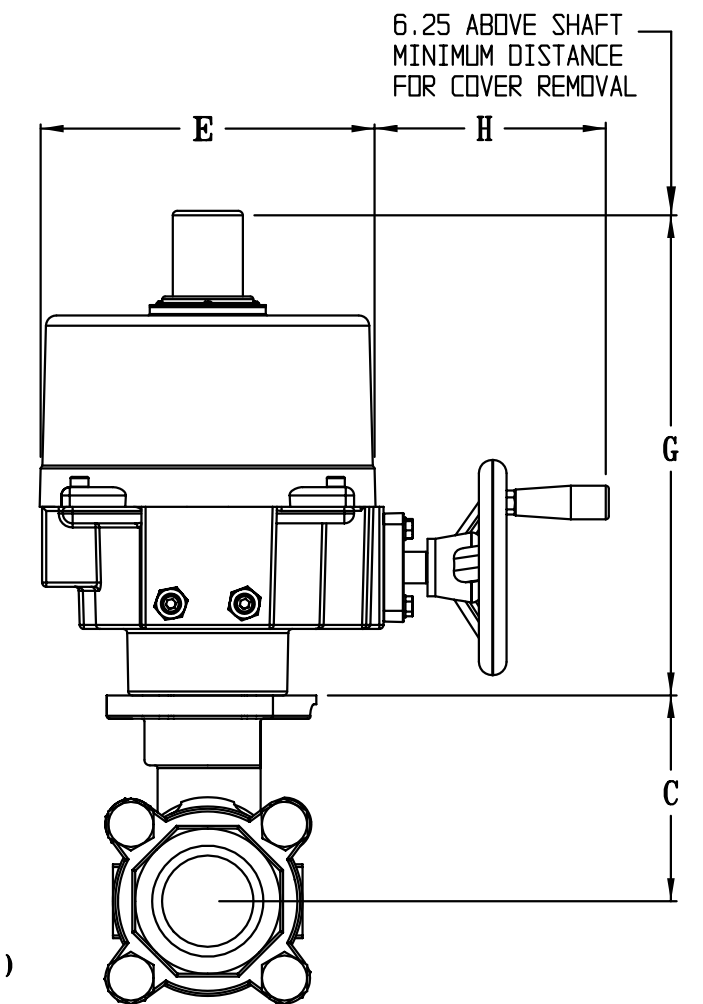


MODEL	EVS21AJE20	EVS22AJE20	EVS23AJE20	EVS24AJE20	EVS25AJE21	EVS26AJE25	EVS27AJE01	EVS28AJE01	EVS29AJE02	EVS2AAJE13
ACTUATOR	DE153	DE153	DE153	DE153	DE154	DE305	AE607	AE607	MA13	MA20
SIZE	1/4 NPT	3/8 NPT	1/2 NPT	3/4 NPT	1 NPT	1 1/4 NPT	1 1/2 NPT	2 NPT	2 1/2 NPT	3 NPT
A	2.50	2.50	2.62	3.00	3.38	4.06	4.68	5.17	6.46	7.19
B	0.45	0.50	0.59	0.79	0.99	1.26	1.50	1.97	2.56	3.15
C	1.65	1.65	1.65	1.89	2.23	2.40	3.05	3.36	4.28	4.63
D	6.37	6.37	6.37	6.61	6.95	8.13	13.09	13.40	14.32	14.67
E	3.58	3.58	3.58	3.58	3.58	3.58	7.87	7.87	7.87	7.87
F	4.75	4.75	4.75	4.75	4.75	4.75	----	----	----	----
G	4.72	4.72	4.72	4.72	4.72	5.73	10.04	10.04	10.04	10.04
H	----	----	----	----	----	----	5.13	5.13	5.13	5.13
MAX. ΔPSI	300 CWP	300 CWP	300 CWP	300 CWP	300 CWP	300 CWP	300 CWP	300 CWP	300 CWP	300 CWP
WT. LBS	5.11	5.06	5.16	5.52	6.45	8.06	26.98	29.78	39.63	45.92

**MA SERIES ACTUATOR**



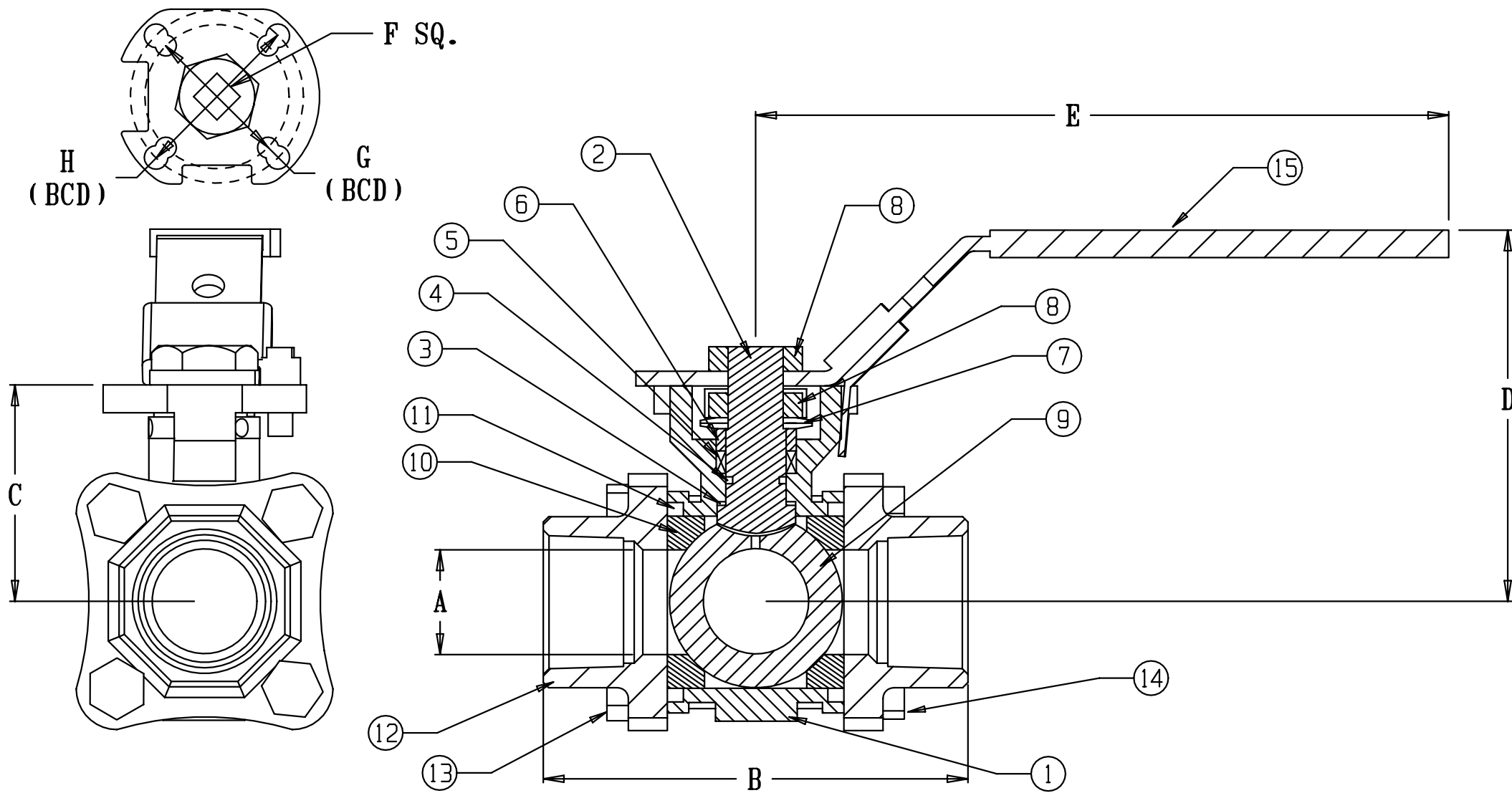
MODEL NO. VOLTAGE CODE  
**EVS2XAJEXXY**  
 CODE (SUFFIX)  
 BLANK = 115VAC  
 B = 240VAC  
 H = 12 - 24 VAC/VDC (DE)

**UNCONTROLLED DRAWING**  
 THIS PRINT IS THE PROPERTY OF DYNAQUIP CONTROLS AND SHALL NOT BE COPIED, REPRODUCED, LOANED, OR DISPOSED OF DIRECTLY OR INDIRECTLY, NOR USED FOR ANY PURPOSE OTHER THAN THAT FOR WHICH IT IS SPECIFICALLY FURNISHED EXCEPT BY WRITTEN PERMISSION OF DYNAQUIP CONTROLS.

<b>NO.</b> VVS SERIES		<b>FILE NO.</b> SLB170	
<b>TITLE</b> BALL VALVE			
<b>316 SS - FULL PORT - NPT ELECTRIC ACTUATOR</b>			
<b>DR</b> FBA	<b>DATE</b> 07-27-05	<b>CH'KD</b> LJH	<b>DATE</b> 08-24-05
<b>ENGR</b> LJH	<b>DATE</b> 08-24-05		



**DE SERIES ACTUATOR**



15	HANDLE	304 SS
14	NUT	304 SS
13	BOLT	304 SS
12	END CAP	SS CF8M
11	SEAL, END CAP	PTFE
10	SEAT, BALL	REINFORCED TFM
9	BALL	316 SS
8	NUT	304 SS
7	BELLEVILLE WASHER	301 SS
6	PACK GLAND	304 SS
5	SEAL, STEM	RTFE
4	O-RING	VITON
3	THRUST WASHER	RTFE
2	STEM	SS 316
1	BODY	SS CF8M
ITEM NO.	DESCRIPTION	MATERIAL

MODEL NUMBER	DIMENSIONS								PRESSURE RATING	C <sub>v</sub>	WT. (LBS)
	A	B	C	D	E	F	G	H			
VVS2.AJOP 1/4	0.45	2.50	1.65	3.06	5.50	.354	1.42	1.65	1500	8	1.41
VVS2.AJOP 3/8	0.50	2.50	1.65	3.06	5.50	.354	1.42	1.65	1500	10	1.36
VVS2.AJOP 1/2	0.59	2.62	1.65	3.06	5.50	.354	1.42	1.65	1500	15	1.46
VVS2.AJOP 3/4	0.79	3.00	1.89	3.25	5.50	.354	1.42	1.65	1500	35	1.82
VVS2.AJOP 1	0.99	3.38	2.23	3.88	6.50	.433	1.65	1.97	1500	60	2.75
VVS2.AJOP 1 1/4	1.26	4.06	2.40	4.00	6.50	.433	1.65	1.97	1250	105	4.16
VVS2.AJOP 1 1/2	1.50	4.68	3.05	5.00	8.50	.551	1.97	2.76	1250	138	6.98
VVS2.AJOP 2	1.97	5.17	3.36	5.38	8.50	.551	1.97	2.76	1000	270	9.78
VVS2.AJOP 2 1/2	2.56	6.46	4.28	6.63	10.38	.669	2.76	4.02	800	380	19.63
VVS2.AJOP 3	3.15	7.19	4.63	7.00	10.38	.669	2.76	4.02	800	580	25.92

**UNCONTROLLED DRAWING**

THIS PRINT IS THE PROPERTY OF DYNAQUIP CONTROLS AND SHALL NOT BE COPIED, REPRODUCED, LOANED, OR DISPOSED OF DIRECTLY OR INDIRECTLY, NOR USED FOR ANY PURPOSE OTHER THAN THAT FOR WHICH IT IS SPECIFICALLY FURNISHED EXCEPT BY WRITTEN PERMISSION OF DYNAQUIP CONTROLS.

NO. VVS SERIES		FILE NO. SUB171	
TITLE <b>BALL VALVE - VVS SERIES</b> <b>3 Pc - SS - FEMALE NPT</b>			
DR	DATE	CH'KD	DATE
FBA	07-29-05	LJH	08-25-05
ENGR	DATE		
LJH	08-25-05		