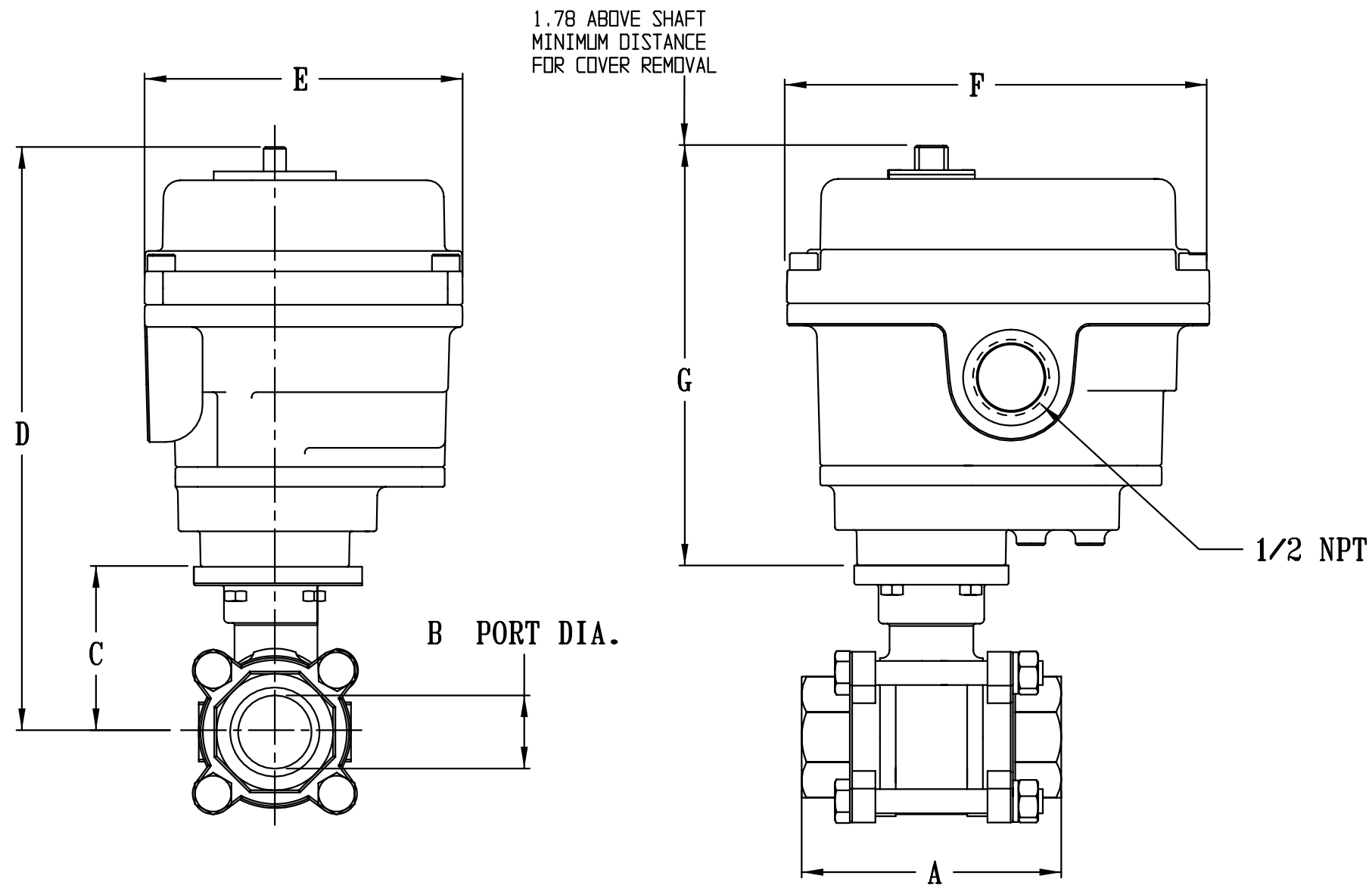


MODEL	EVA61AME22	EVA62AME22	EVA63AME22	EVA64AME22	EVA65AME21	EVA66AME21	EVA67AME25	EVA68AME25
ACTUATOR	DE156	DE156	DE156	DE156	DE154	DE154	DE305	DE305
SIZE	1/4	3/8	1/2	3/4	1	1 1/4	1 1/2	2
A	2.68	2.68	2.68	3.20	3.46	4.17	4.72	5.39
B	0.44	0.50	0.59	0.79	0.98	1.26	1.50	1.97
C	1.59	1.59	1.59	1.85	2.10	2.21	2.88	3.21
D	6.31	6.31	6.31	6.57	6.82	6.93	8.25	8.58
E	3.58	3.58	3.58	3.58	3.58	3.58	3.58	3.58
F	4.75	4.75	4.75	4.75	4.75	4.75	4.75	4.75
G	4.72	4.72	4.72	4.72	4.72	4.72	5.37	5.37
MAX. Δ PSI	300 CWP	300 CWP	300 CWP	300 CWP	300 CWP	300 CWP	300 CWP	300 CWP
WT. LBS	5.02	5.02	5.02	5.73	6.46	7.12	9.41	12.28

VALVE DATA	
BODY/END CAP	BRONZE, B884 C84400
STEM	316 STAINLESS STEEL
BALL	316 STAINLESS STEEL
SEATS	PTFE
THRUSTWASHER	PTFE
STEM SEAL	PTFE / VITON O-RING



MODEL NO. VOLTAGE CODE

EVA6XAMEXXY

CODE (SUFFIX)

- BLANK = 115VAC
- B = 240VAC
- H = 12 - 24 VAC/VDC

UNCONTROLLED DRAWING

THIS PRINT IS THE PROPERTY OF DYNAQUIP CONTROLS AND SHALL NOT BE COPIED, REPRODUCED, LOANED, OR DISPOSED OF DIRECTLY OR INDIRECTLY, NOR USED FOR ANY PURPOSE OTHER THAN THAT FOR WHICH IT IS SPECIFICALLY FURNISHED EXCEPT BY WRITTEN PERMISSION OF DYNAQUIP CONTROLS.

NO. VVA SERIES FILE NO. SUB176

TITLE BALL VALVE BRONZE - FULL PORT - NPT ELECTRIC ACTUATOR

DR	DATE	CH'KD	DATE	ENGR	DATE
FBA	08-02-05	LJH	08-28-05	LJH	08-28-05

