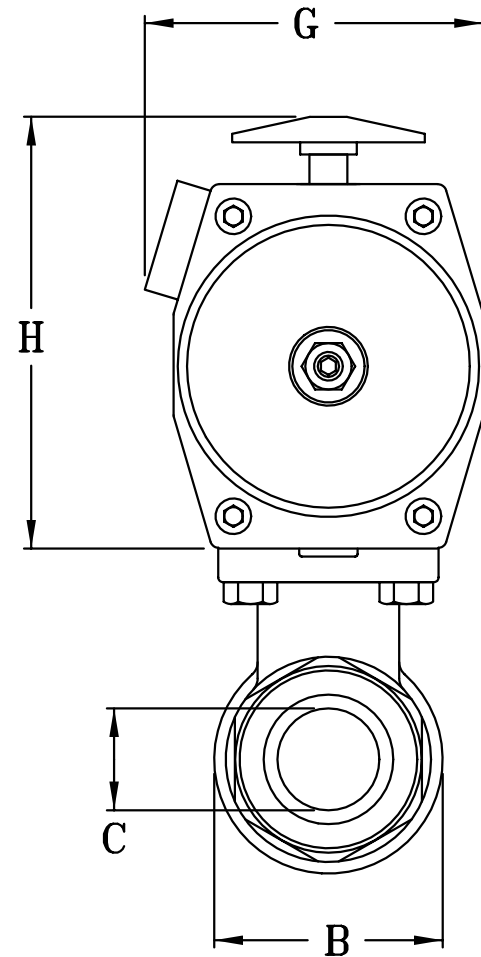
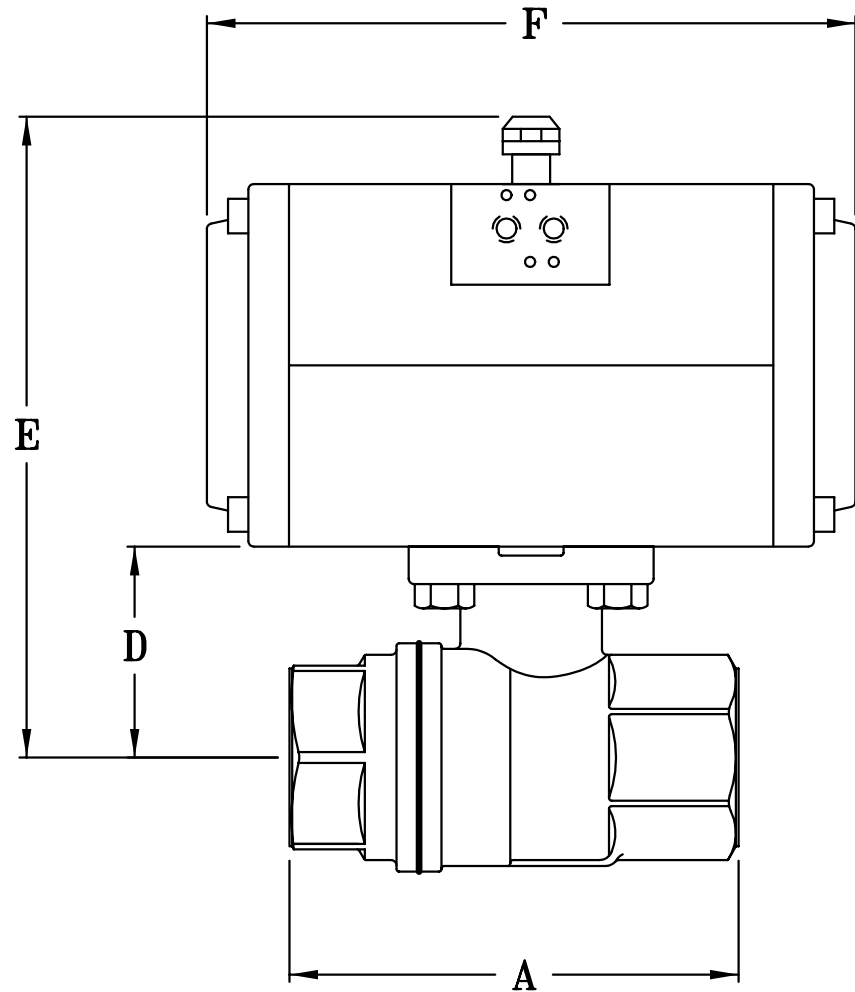
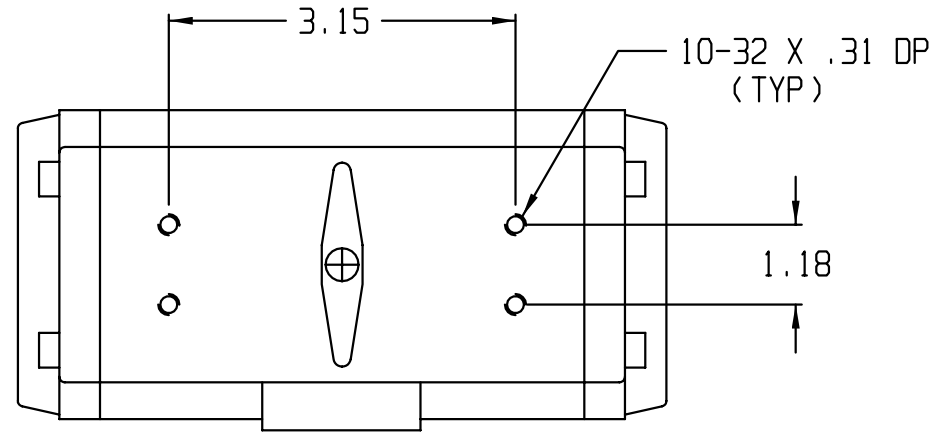


MODEL	PHH23ATD01	PHH24ATD01	PHH25ATD02	PHH26ATD02	PHH27ATD03	PHH28ATD03	PHH2AATD05	PHH2BATD07
ACTUATOR	AP10DA	AP10DA	AP20DA	AP20DA	AP30DA	AP30DA	AP52DA	AP103DA
SIZE	1/2 NPT	3/4 NPT	1 NPT	1 1/4 NPT	1 1/2 NPT	2 NPT	3 NPT	4 NPT
A	2.60	2.93	3.56	4.09	4.60	5.31	6.89	8.86
B	1.34	1.72	2.06	2.56	3.12	3.77	5.31	6.53
C	0.59	0.79	0.98	1.26	1.57	1.97	3.00	4.00
D	1.22	1.52	1.67	2.18	2.44	2.71	3.13	3.86
E	4.72	5.02	5.49	6.00	6.81	7.08	7.97	9.41
F	4.65	4.65	5.26	5.26	5.53	5.53	6.38	8.30
G	2.61	2.61	2.82	2.82	3.23	3.23	3.73	4.40
H	3.50	3.50	3.82	3.82	4.37	4.37	4.84	5.55
MAX. Δ PSI	300 CWP	300 CWP	300 CWP	300 CWP	300 CWP	300 CWP	300 CWP	300 CWP
WT. LBS	1.70	2.01	3.79	4.92	7.25	9.99	17.98	24.26



VALVE DATA

BODY/END CAP	FORGED BRASS
STEM	NICKEL PLATED BRASS (2" STAINLESS STEEL)
BALL	CHROME PLATED BRASS
SEATS	RTFE
THRUSTWASHER	RTFE
STEM SEAL	VITON ORINGS

UNCONTROLLED DRAWING

THIS PRINT IS THE PROPERTY OF DYNAQUIP CONTROLS AND SHALL NOT BE COPIED, REPRODUCED, LOANED, OR DISPOSED OF DIRECTLY OR INDIRECTLY, NOR USED FOR ANY PURPOSE OTHER THAN THAT FOR WHICH IT IS SPECIFICALLY FURNISHED EXCEPT BY WRITTEN PERMISSION OF DYNAQUIP CONTROLS.

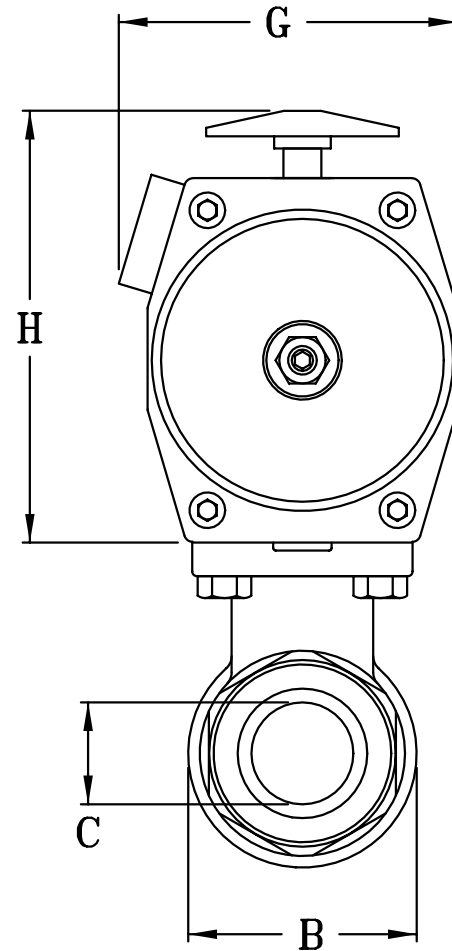
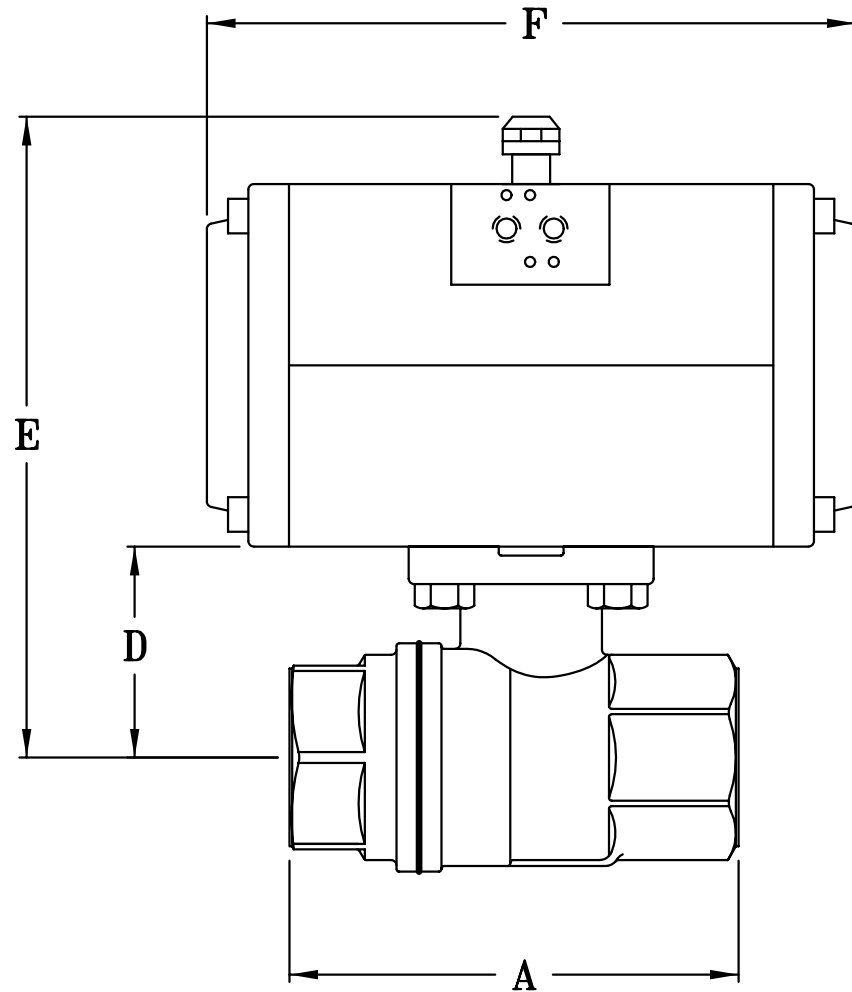
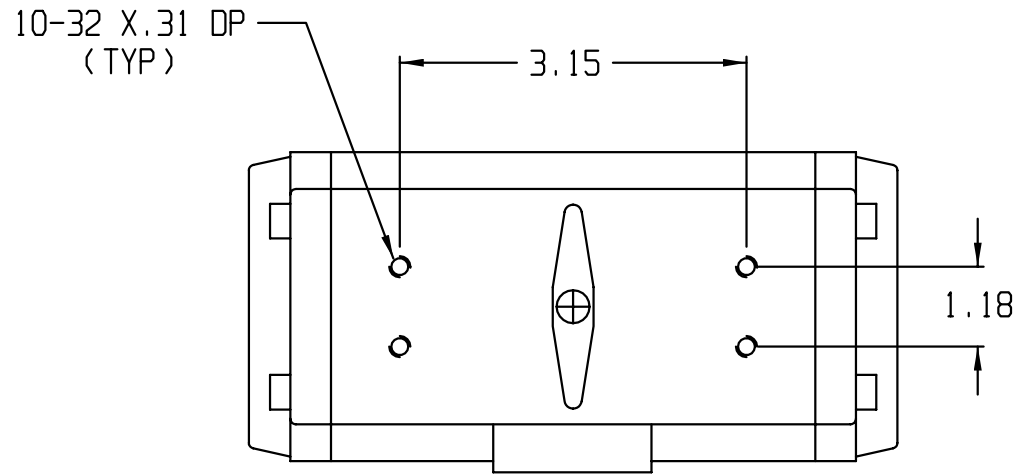
NO. VHH2 SERIES FILE NO. SUB124.1

TITLE
BALL VALVE
BRASS - FULL PORT - NPT
AP-DA ACTUATOR

DR	DATE	CH'KD	DATE	ENGR	DATE
FBA	06-27-05	LJH	09-09-05	LJH	09-09-05



MODEL	PHH23ATS012	PHH24ATS012	PHH25ATS024	PHH26ATS034	PHH27ATS054	PHH28ATS064	PHH2AATS065	PHH2BATS094
ACTUATOR	AP10SR2	AP10SR2	AP20SR4	AP30SR4	AP52SR4	AP73SR4	AP73SR5	AP222SR4
SIZE	1/2 NPT	3/4 NPT	1 NPT	1 1/4 NPT	1 1/2 NPT	2 NPT	3 NPT	4 NPT
A	2.60	2.93	3.56	4.09	4.60	5.31	6.89	8.86
B	1.34	1.72	2.06	2.56	3.12	3.77	5.31	6.53
C	0.59	0.79	0.98	1.26	1.57	1.97	3.00	4.00
D	1.22	1.52	1.67	2.18	2.44	2.71	3.13	3.86
E	4.72	5.02	5.49	6.55	7.28	7.66	8.08	10.57
F	4.65	4.65	5.26	5.53	6.38	7.20	7.20	11.52
G	2.61	2.61	2.82	3.23	3.73	3.90	3.90	4.72
H	3.50	3.50	3.82	4.37	4.84	4.95	4.95	6.71
MAX. Δ PSI	300 CWP	300 CWP	300 CWP	300 CWP	300 CWP	300 CWP	300 CWP	300 CWP
WT. LBS	1.70	2.01	3.79	5.92	8.60	12.55	19.20	31.90



VALVE DATA

BODY/END CAP	FORGED BRASS
STEM	NICKEL PLATED BRASS (2" STAINLESS STEEL)
BALL	CHROME PLATED BRASS
SEATS	RTFE
THRUSTWASHER	RTFE
STEM SEAL	VITON DRINGS

UNCONTROLLED DRAWING

THIS PRINT IS THE PROPERTY OF DYNAQUIP CONTROLS AND SHALL NOT BE COPIED, REPRODUCED, LOANED, OR DISPOSED OF DIRECTLY OR INDIRECTLY, NOR USED FOR ANY PURPOSE OTHER THAN THAT FOR WHICH IT IS SPECIFICALLY FURNISHED EXCEPT BY WRITTEN PERMISSION OF DYNAQUIP CONTROLS.

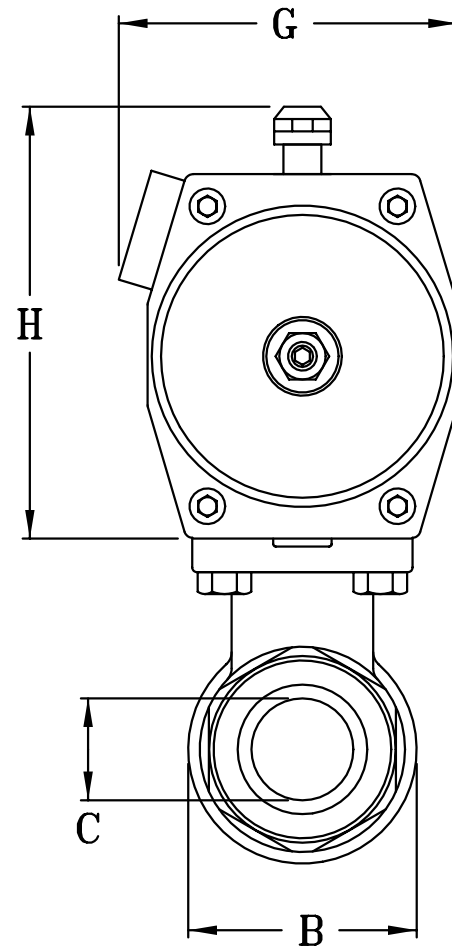
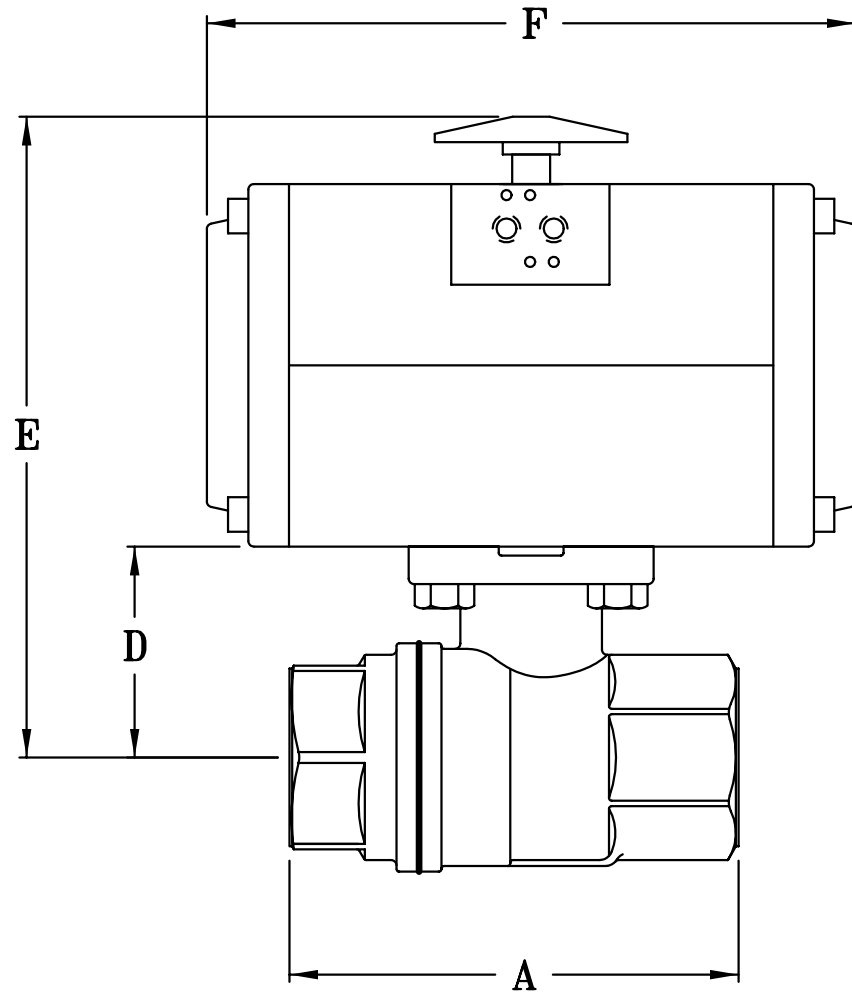
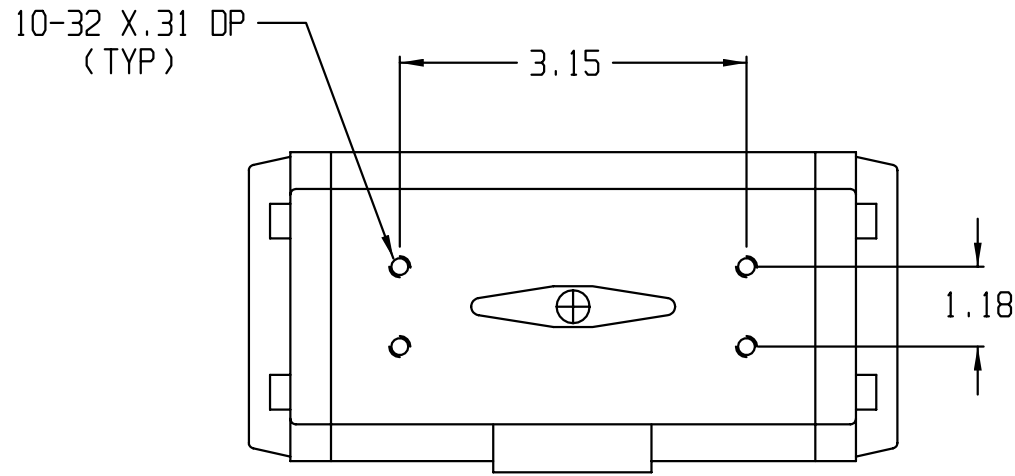
NO. VHH2 SERIES FILE NO. SUB125.1

TITLE
BALL VALVE
BRASS - FULL PORT - NPT
AP-SR NC ACTUATOR

DR	DATE	CH' KD	DATE	ENGR	DATE
FBA	06-27-05	LJH	09-14-05	LJH	09-14-05



MODEL	PHH23ATS012F	PHH24ATS012F	PHH25ATS024F	PHH26ATS054F	PHH27ATS054F	PHH28ATS074F	PHH2AATS074F	PHH2BATS094F
ACTUATOR	AP10SR2F	AP10SR2F	AP20SR4F	AP52SR4F	AP52SR4F	AP103SR4F	AP103SR4F	AP222SR4F
SIZE	1/2 NPT	3/4 NPT	1 NPT	1 1/4 NPT	1 1/2 NPT	2 NPT	3 NPT	4 NPT
A	2.60	2.93	3.56	4.09	4.60	5.31	6.89	8.86
B	1.34	1.72	2.06	2.56	3.12	3.77	5.31	6.53
C	0.59	0.79	0.98	1.26	1.57	1.97	3.00	4.00
D	1.22	1.52	1.67	2.18	2.44	2.71	3.13	3.86
E	4.72	5.02	5.49	7.02	7.28	8.26	8.68	10.57
F	4.65	4.65	5.26	6.38	6.38	8.30	8.30	11.52
G	2.61	2.61	2.82	3.73	3.73	4.40	4.40	4.72
H	3.50	3.50	3.82	4.84	4.84	5.55	5.55	6.71
MAX. Δ PSI	300 CWP	300 CWP	300 CWP	300 CWP	300 CWP	300 CWP	300 CWP	300 CWP
WT. LBS	1.70	2.01	3.79	7.25	8.60	14.41	21.10	31.90



VALVE DATA

BODY/END CAP	FORGED BRASS
STEM	NICKEL PLATED BRASS (2" STAINLESS STEEL)
BALL	CHROME PLATED BRASS
SEATS	RTFE
THRUSTWASHER	RTFE
STEM SEAL	VITON DRINGS

UNCONTROLLED DRAWING

THIS PRINT IS THE PROPERTY OF DYNAQUIP CONTROLS AND SHALL NOT BE COPIED, REPRODUCED, LOANED, OR DISPOSED OF DIRECTLY OR INDIRECTLY, NOR USED FOR ANY PURPOSE OTHER THAN THAT FOR WHICH IT IS SPECIFICALLY FURNISHED EXCEPT BY WRITTEN PERMISSION OF DYNAQUIP CONTROLS.

NO. VHH2 SERIES FILE NO. SUB180

TITLE
BALL VALVE
BRASS - FULL PORT - NPT
AP-SR NO ACTUATOR

DR	DATE	CH'KD	DATE	ENGR	DATE
FBA	06-27-05	LJH	09-14-05	LJH	09-14-05

