


* ITEM "13" REFERS TO VALVE SIZES 1 1/4 & 1 1/2 ONLY

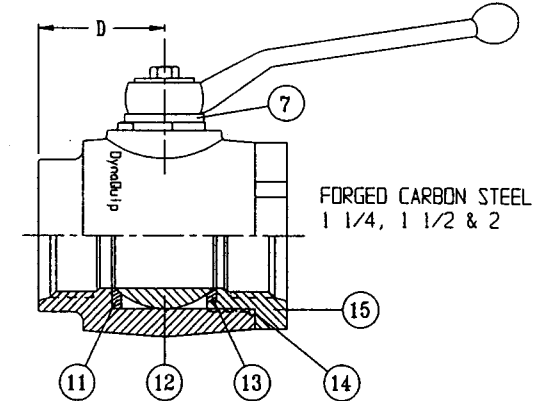
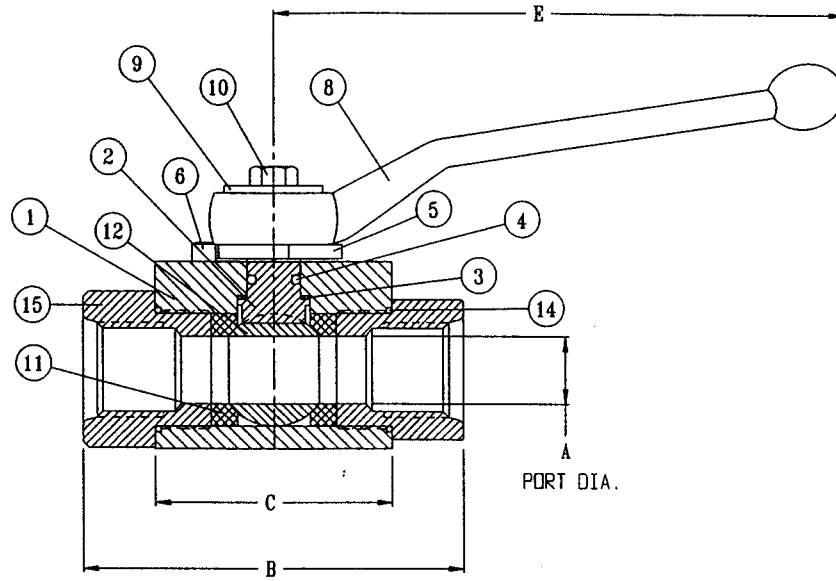
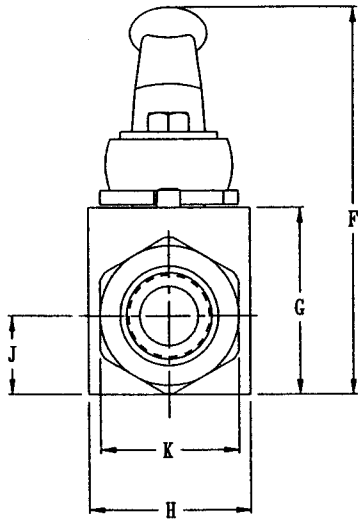
15	END CONNECTOR	STEEL, BLACK OXIDE FINISH
14	O-RING (END)	BLUNA-N (NBR)
13	SEAT *	DELIN (POM)
12	BALL	STEEL, HARD CHROME PLATED
11	SEAT	DELIN (POM)
10	SCREW	STEEL, ZINC PLATED
9	WASHER	STEEL, ZINC PLATED
8	HANDLE	ZINC DIECAST 1/4" - 1/2" CAST STEEL 3/4" - 2"
7	WASHER	STEEL, ZINC PLATED
6	STOP-PIN	STEEL, BLACK OXIDE FINISH
5	STOP-PLATE	STEEL, ZINC PLATED
4	O-RING (STEM)	BLUNA-N (NBR)
3	THRUST RING	DELIN (POM)
2	STEM	STEEL, ZINC PLATED
1	BODY	STEEL, BLACK OXIDE FINISH
ITEM	PART NAME	MATERIAL

CATALOG NUMBER	DIMENSIONS										THREAD SPEC.	RATED PRES. (CWP)	WT. (LBS)
	A	B	C	D	E	F	G	H	J	K			
VAE2-A0 1/4	.228	2.72	1.42	----	2.99	2.17	.98	.79	.39	.75	1/4-18 NPT	7000	.46
VAE2-A0 3/8	.386	2.87	1.77	----	3.94	2.68	1.38	1.18	.57	.94	3/8-18 NPT	7000	.95
VAE2-A0 1/2	.484	3.23	2.01	----	4.41	3.62	1.58	1.38	.67	1.18	1/2-14 NPT	5800	1.48
VAE2-A0 3/4	.780	3.66	2.36	----	7.56	4.66	2.17	1.77	.95	1.61	3/4-14 NPT	4600	3.17
VAE2-A0 1	.917	4.45	2.76	----	7.56	4.86	2.36	2.17	1.02	1.97	1-11 1/2 NPT	4600	4.69
VAE2-A0 1 1/4	1.252	4.33	2.76	2.30	12.60	6.43	3.15	2.87	1.44	2.36	1 1/4-11 1/2 NPT	4600	5.62
VAE2-A0 1 1/2	1.488	4.49	2.95	2.24	12.60	6.83	3.54	3.35	1.67	2.76	1 1/2-11 1/2 NPT	4600	7.39
VAE2-A0 2	1.882	5.12	3.50	2.56	12.60	7.38	4.09	3.90	1.95	3.35	2-11 1/2 NPT	4600	9.79

UNCONTROLLED DRAWING

Data is for general information only, and is subject to change without notice.

NO.	VAE-AO	FILE NO.	SLB068
TITLE	BALL VALVE - VAE SERIES HIGH PRESSURE - NPT THDS		
DR	DATE	CH'KD	DATE
MJP	08-03-01	LJH	11-07-96
ENGR	DATE		
LJH	11-07-96		
			



* ITEM "13" REFERS TO VALVE SIZES 1 1/4 & 1 1/2 ONLY

15	END CONNECTOR	STEEL, BLACK OXIDE FINISH
14	O-RING (END)	BLUNA-N (NBR)
13	SEAT *	DELTRIN (PDM)
12	BALL	STEEL, HARD CHROME PLATED
11	SEAT	DELTRIN (PDM)
10	SCREW	STEEL, ZINC PLATED
9	WASHER	STEEL, ZINC PLATED
8	HANDLE	ZINC DIECAST 1/4" - 1/2" CAST STEEL 3/4" - 2"
7	WASHER	STEEL, ZINC PLATED
6	STOP-PIN	STEEL, BLACK OXIDE FINISH
5	STOP-PLATE	STEEL, ZINC PLATED
4	O-RING (STEM)	BLUNA-N (NBR)
3	THRUST RING	DELTRIN (PDM)
2	STEM	STEEL, ZINC PLATED
1	BODY	STEEL, BLACK OXIDE FINISH
ITEM	PART NAME	MATERIAL

CATALOG NUMBER	DIMENSIONS										THREAD SPEC.	RATED PRES.	WT. (LBS)
	A	B	C	D	E	F	G	H	J	K			
VAE2-NO 1/4	.228	2.72	1.42	----	2.99	2.17	.98	.79	.39	.75	1/4 SAE (7/16-20UNF)	7000 CWP	.46
VAE2-NO 3/8	.386	2.87	1.77	----	3.94	2.68	1.38	1.18	.57	.94	3/8 SAE (9/16-18UNF)	7000 CWP	.95
VAE2-NO 1/2	.484	3.23	2.01	----	4.41	3.62	1.58	1.38	.67	1.18	1/2 SAE (3/4-16UNF)	5800 CWP	1.48
VAE2-NO 3/4	.780	3.66	2.36	----	7.56	4.66	2.17	1.77	.95	1.61	3/4 SAE (1 1/16-12UN)	4600 CWP	3.17
VAE2-NO 1	.917	4.45	2.76	----	7.56	4.86	2.36	2.17	1.02	1.97	1 SAE (1 5/16-12UN)	4600 CWP	4.69
VAE2-NO 1 1/4	1.252	4.33	2.76	2.30	12.60	6.43	3.15	2.87	1.44	2.36	SAE 1 1/4 (1 5/8-12UN)	4600 CWP	5.62
VAE2-NO 1 1/2	1.488	4.49	2.95	2.24	12.60	6.83	3.54	3.35	1.67	2.76	SAE 1 1/2 (1 7/8-12UN)	4600 CWP	7.39
VAE2-NO 2	1.882	5.12	3.50	2.56	12.60	7.38	4.09	3.90	1.95	3.35	SAE 2 (2 1/2-12UN)	4600 CWP	9.79

UNCONTROLLED DRAWING

Data is for general information only, and is subject to change without notice.

NO.	VAE-NO	FILE NO.	SUB069
TITLE			
BALL VALVE - VAE SERIES HIGH PRESSURE - SAE THDS			
DR	DATE	CH'KD	DATE
MJP	08-03-01	LJH	11-07-96
ENGR	DATE		
LJH	11-07-96		
