

RATING SPECIFICATIONS
OPERATING PRESSURE - 1000 CWP

ALL VALVES TO BE ASSEMBLED
WITH SILICONE FREE LUBRICANT

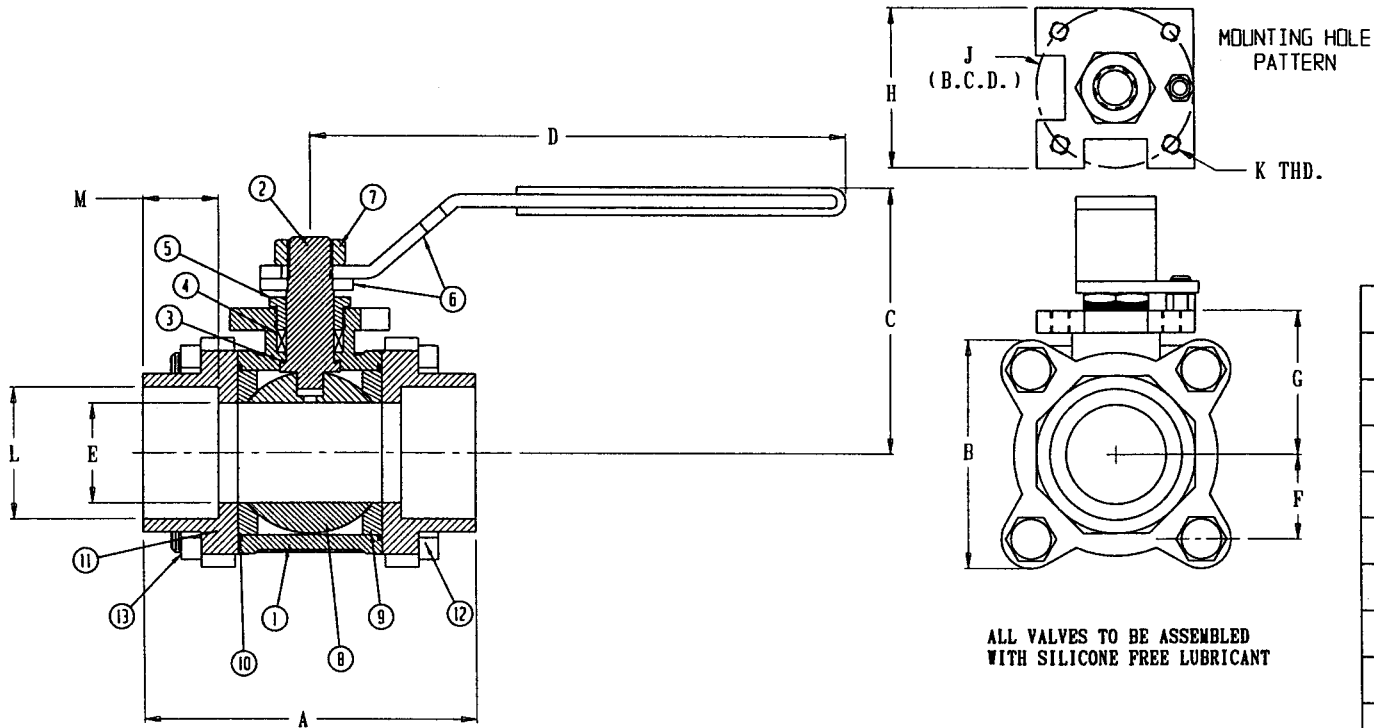
13	NUT	STAINLESS STEEL TYPE 304
12	BOLT	STAINLESS STEEL TYPE 304
11	END CAP	ASTM A351 GR CF8M
10	SEAL, END CAP	REINFORCED TFE
9	SEAT, BALL	25% CARBON TFM
8	BALL	ASTM A351 GR CF8M
7	NUT	STAINLESS STEEL TYPE 304
6	HANDLE/STOP PLATE	STAINLESS STEEL TYPE 304
5	PACK GLAND	ASTM A276 GR 316
4	SEAL, STEM	25% CARBON TFM
3	THRUSTWASHER	REINFORCED TFE
2	STEM	ASTM A276 GR 316
1	BODY	ASTM A351 GR CF8M
ITEM NO.	DESCRIPTION	MATERIAL

CATALOG NUMBER	DIMENSIONS										PRESSURE RATING	C _v	WT. (LBS)
	A	B	C	D	E	F	G	H	J	K			
VBS2-A9 1/4	2.49	1.91	2.37	4.16	.43	.64	1.15	1.42	1.417	M5	1000 CWP 150 SWP	6	.97
VBS2-A9 3/8	2.49	1.91	2.37	4.16	.43	.64	1.15	1.42	1.417	M5	1000 CWP 150 SWP	12	.97
VBS2-A9 1/2	2.76	1.91	2.37	4.16	.56	.64	1.15	1.42	1.417	M5	1000 CWP 150 SWP	15	1.23
VBS2-A9 3/4	3.03	2.13	2.82	4.96	.81	.76	1.34	1.65	1.654	M5	1000 CWP 150 SWP	30	1.91
VBS2-A9 1	3.62	2.60	3.12	4.96	1.00	.94	1.58	1.65	1.654	M5	1000 CWP 150 SWP	60	2.93
VBS2-A9 1 1/4	4.13	2.86	3.32	7.66	1.25	1.07	1.82	1.97	1.969	M6	1000 CWP 150 SWP	110	4.27
VBS2-A9 1 1/2	4.72	3.23	3.61	7.66	1.50	1.24	2.07	1.97	1.969	M6	1000 CWP 150 SWP	130	6.01
VBS2-A9 2	5.43	3.83	3.99	7.66	1.97	1.48	2.40	1.97	1.969	M6	1000 CWP 150 SWP	245	10.00

UNCONTROLLED
DRAWING

Data is for general
information only,
and is subject to
change without
notice.

NO.	VBS2-A9		FILE NO.	SUB030
TITLE	BALL VALVE - VBS SERIES FEMALE THREAD 3 PC - 316SS - 1000 CWP			
DR	DATE	CHK'D	DATE	ENGR
EJC	11-07-96	LJH	02-17-99	LJH



RATING SPECIFICATIONS
OPERATING PRESSURE - 1000 CWP

13	NUT	STAINLESS STEEL TYPE 304
12	BOLT	STAINLESS STEEL TYPE 304
11	END CAP	ASTM A351 GR CF3M
10	SEAL, END CAP	REINFORCED TFE
9	SEAT, BALL	25% CARBON TFM
8	BALL	ASTM A351 GR CF8M
7	NUT	STAINLESS STEEL TYPE 304
6	HANDLE/STOP PLATE	STAINLESS STEEL TYPE 304
5	PACK GLAND	ASTM A276 GR 316
4	SEAL, STEM	25% CARBON TFM
3	THRUSTWASHER	REINFORCED TFE
2	STEM	ASTM A276 GR 316
1	BODY	ASTM A351 GR CF8M
ITEM NO.	DESCRIPTION	MATERIAL

CATALOG NUMBER	DIMENSIONS												PRESSURE RATING	C _v	WT. (LBS)
	A	B	C	D	E	F	G	H	J	K	L	M			
VBS2-C9 1/2	2.76	1.91	2.37	4.16	.56	.64	1.15	1.42	1.417	M5	.865	.38	1000 CWP 150 SWP	15	1.23
VBS2-C9 3/4	3.03	2.13	2.82	4.96	.81	.76	1.34	1.65	1.654	M5	1.075	.50	1000 CWP 150 SWP	30	1.91
VBS2-C9 1	3.62	2.60	3.12	4.96	1.00	.94	1.58	1.65	1.654	M5	1.340	.50	1000 CWP 150 SWP	60	2.93
VBS2-C9 1 1/4	4.13	2.86	3.32	7.66	1.25	1.07	1.82	1.97	1.969	M6	1.685	.50	1000 CWP 150 SWP	110	4.27
VBS2-C9 1 1/2	4.72	3.23	3.61	7.66	1.50	1.24	2.07	1.97	1.969	M6	1.925	.50	1000 CWP 150 SWP	130	6.01
VBS2-C9 2	5.43	3.83	3.99	7.66	1.97	1.48	2.40	1.97	1.969	M6	2.416	.62	1000 CWP 150 SWP	245	10.00

UNCONTROLLED DRAWING

Data is for general information only, and is subject to change without notice.

NO. VBS2-C9 FILE NO. SUB064

TITLE BALL VALVE - VBS SERIES
SOCKET WELD
3 PC - 316SS - 1000 CWP

DR	DATE	CH'KD	DATE	ENGR	DATE
EJC	02-17-99	LJH	02-17-99	LJH	02-17-99

