

1. THIS APPLICATION RATING IS DETERMINED BY THE CLAMP RATING.

20	BOLT	STAINLESS STEEL TYPE 304
19	NUT	STAINLESS STEEL TYPE 304
18	HANDLE COVER	VINYL
17	HANDLE	STAINLESS STEEL TYPE 304
16	HANDLE NUT	STAINLESS STEEL TYPE 304
15	BOLT	STAINLESS STEEL TYPE 304
14	T-CLAMP CAP	ASTM A351 GR CF3M
13	GASKET	PTFE
12	SEAT	PTFE
11	BALL	STAINLESS STEEL TYPE 316
10	STOP PLATE	STAINLESS STEEL TYPE 304
9	RETAINER	STAINLESS STEEL TYPE 304
8	STEM NUT	STAINLESS STEEL TYPE 304
7	SPRING WASHER	STAINLESS STEEL TYPE 301
6	FOLLOWER	STAINLESS STEEL TYPE 304
5	STEM PACKING	PTFE
4	O-RING	EPDM FOOD GRADE
3	THRUST WASHER	P.E.E.K. FOOD GRADE
2	STEM	STAINLESS STEEL TYPE 316L
1	BODY	ASTM A351 GR CF3M
ITEM NO.	DESCRIPTION	MATERIAL

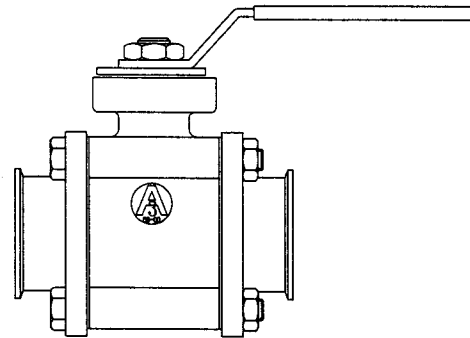
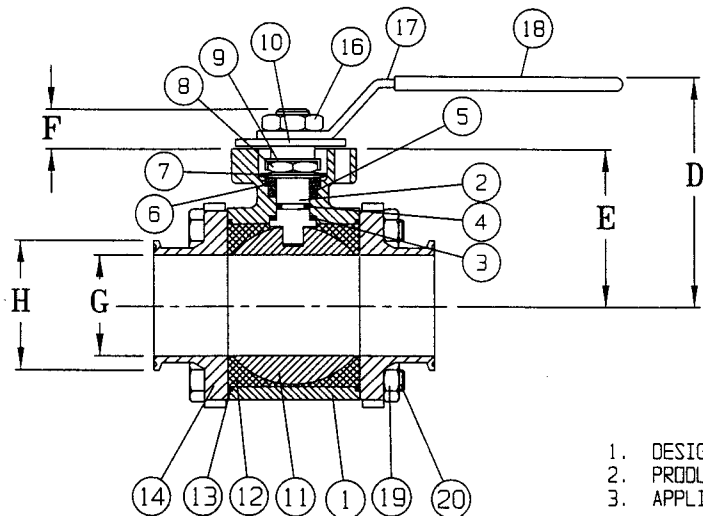
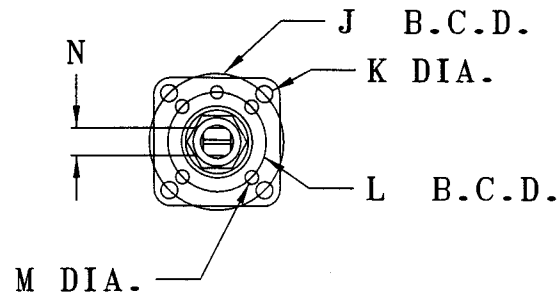
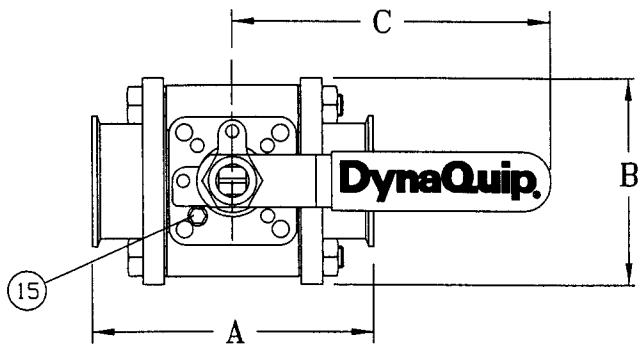
CATALOG NUMBER	DIMENSIONS													VALVE RATING (CWP)	C _v	WT. (LBS)
	A	B	C	D	E	F	G	H	J	K	L	M	N			
VBT4.TM 1/2	3.50	1.72	4.92	2.66	1.54	.35	.38	0.99	1.65	.28	1.42	.22	.35	1000	12	1.4
VBT4.TM 3/4	3.50	1.72	4.92	2.81	1.54	.35	.63	0.99	1.65	.28	1.42	.22	.35	1000	35	1.5
VBT4.TM 1	3.50	2.32	5.91	3.15	1.89	.51	.86	1.98	1.97	.27	1.65	.22	.43	1000	69	2.75
VBT4.TM 1 1/2	4.50	2.88	7.78	3.90	2.36	.63	1.36	1.98	1.97	.35	1.97	.28	.55	800	180	5.50
VBT4.TM 2	5.00	3.41	7.87	4.13	2.74	.63	1.86	2.52	2.76	.35	1.97	.28	.55	800	354	8.00
VBT4.TM 3	7.75	5.36	11.6	5.49	3.86	.79	2.86	3.58	4.02	.44	2.77	.35	.67	600	859	26.0
VBT4.TM 4	9.50	8.56	13.4	7.79	5.16	.98	3.81	4.68	4.93	.53	4.02	.44	.87	600	1569	48.0

UNCONTROLLED DRAWING
Data is for general information only, and is subject to change without notice.

(337E)

NO.	VBT4.TM			FILE NO.	SUB102
TITLE	BV SANITARY T-CLAMP				
DR	MJP	DATE	08-23-01	CH'KD	LJH
		DATE	11-29-30	ENGR	LJH
		DATE	11-29-30		





1. DESIGN MEETS REQUIREMENTS OF 3-A SANITARY STANDARD #68-00.
2. PRODUCT CONTACT SURFACES - 150 GRIT FINISH.
3. APPLICATION RATING IS DETERMINED BY THE CLAMP RATING.

CATALOG NUMBER	DIMENSIONS													VALVE RATING (CWP)	C _v	WT. (LBS)
	A	B	C	D	E	F	G	H	J	K	L	M	N			
VBT4.TMOR 1/2	3.50	1.72	4.92	2.66	1.54	.35	.38	0.99	1.65	.28	1.42	.22	.35	1000	12	1.4
VBT4.TMOR 3/4	3.50	1.72	4.92	2.81	1.54	.35	.63	0.99	1.65	.28	1.42	.22	.35	1000	35	1.5
VBT4.TMOR 1	3.50	2.32	5.91	3.15	1.89	.51	.86	1.98	1.97	.27	1.65	.22	.43	1000	69	2.75
VBT4.TMOR 1 1/2	4.50	2.88	7.87	3.90	2.36	.63	1.36	1.98	1.97	.35	1.97	.28	.55	800	180	5.50
VBT4.TMOR 2	5.00	3.41	7.87	4.13	2.74	.63	1.86	2.52	2.76	.35	1.97	.28	.55	800	354	8.00
VBT4.TMOR 2 1/2	6.75	4.39	11.6	5.05	3.50	.79	2.37	3.04	4.02	.44	2.77	.35	.67	600	580	17.0
VBT4.TMOR 3	7.75	5.36	11.6	5.49	3.86	.79	2.86	3.58	4.02	.44	2.77	.35	.67	600	859	26.0
VBT4.TMOR 4	9.50	8.56	13.4	7.79	5.16	.98	3.81	4.68	4.93	.53	4.02	.44	.87	600	1569	48.0

ITEM NO.	DESCRIPTION	MATERIAL
20	BOLT	STAINLESS STEEL TYPE 304
19	NUT	STAINLESS STEEL TYPE 304
18	HANDLE COVER	VINYL
17	HANDLE	STAINLESS STEEL TYPE 304
16	HANDLE NUT	STAINLESS STEEL TYPE 304
15	BOLT	STAINLESS STEEL TYPE 304
14	T-CLAMP CAP	ASTM A351 GR CF3M
13	GASKET	PTFE
12	SEAT-CAVITY FILL	PTFE
11	BALL	STAINLESS STEEL TYPE 316
10	STOP PLATE	STAINLESS STEEL TYPE 304
9	RETAINER	STAINLESS STEEL TYPE 304
8	STEM NUT	STAINLESS STEEL TYPE 304
7	SPRING WASHER	STAINLESS STEEL TYPE 301
6	FOLLOWER	STAINLESS STEEL TYPE 304
5	STEM PACKING	PTFE
4	O-RING	EPDM FOOD GRADE
3	THRUST WASHER	P.E.E.K. FOOD GRADE
2	STEM	STAINLESS STEEL TYPE 316L
1	BODY	ASTM A351 GR CF3M

UNCONTROLLED DRAWING

Data is for general information only, and is subject to change without notice.

NO. **VBT4.TMOR** FILE NO. SUB108

TITLE **BALL VALVE - SANITARY CAVITY FILL SEATS T-CLAMP ENDS**

DR	DATE	CHK'D	DATE	ENGR	DATE
MJP	08-28-01	LJH	10-17-00	LJH	10-17-00

DynaQuip Controls

(337E)