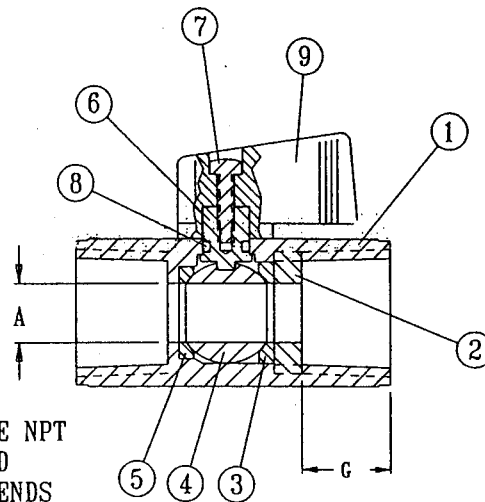

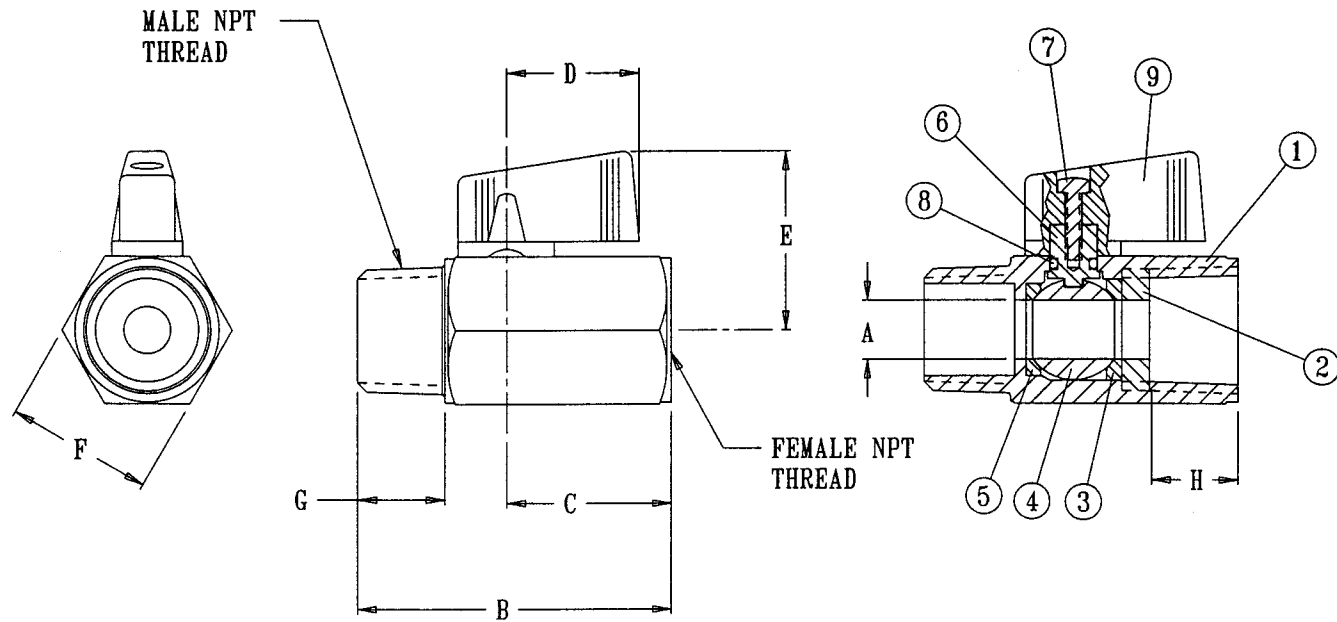


FEMALE NPT
THREAD
BOTH ENDS



ITEM NO.	PART NAME	MATERIAL
1	CHROME PLATED BODY	BRASS
2	RETAINER NUT	BRASS
3	RETAINER SEAT	PTFE
4	CHROME PLATED BALL	BRASS
5	BODY SEAT	PTFE
6	STEM	BRASS
7	NICKEL PLATED SCREW	STEEL
8	O-RING STEM SEAL	VITON
9	BLACK HANDLE	NYLON

PART NO.	DIMENSIONS							NPT THREAD	PRESS. RATING	WT. LBS	UNCONTROLLED DRAWING	NO. VN H3-AM		FILE NO. SLB001			
	A	B	C	D	E	F	G					TITLE	DR	DATE	CR' ED	DATE	ENGR
VNH3-AM 1/8	.250	1.71	.91	.89	1.12	.826	.47	1/8-27	450 CWP	.26	THIS PRINT IS THE PROPERTY OF DYNAGUIP CONTROLS AND SHALL NOT BE COPIED, REPRODUCED, LOANED, OR DISPOSED OF DIRECTLY OR INDIRECTLY, NOR USED FOR ANY PURPOSE OTHER THAN THAT FOR WHICH IT IS SPECIFICALLY FURNISHED EXCEPT BY WRITTEN PERMISSION OF DYNAGUIP CONTROLS	MINI BALL VALVE BRASS, FPT					
VNH3-AM 1/4	.314	1.71	.91	.89	1.12	.826	.47	1/4-18	450 CWP	.23		EJC	11-07-96	LJH	01-20-00	LJH	01-20-00
VNH3-AM 3/8	.314	1.71	.91	.89	1.12	.826	.47	3/8-18	450 CWP	.20							
VNH3-AM 1/2	.393	2.11	1.10	.89	1.20	.984	.61	1/2-14	450 CWP	.32							



ITEM NO.	PART NAME	MATERIAL
1	CHROME PLATED BODY	BRASS
2	RETAINER NUT	BRASS
3	RETAINER SEAT	PTFE
4	CHROME PLATED BALL	BRASS
5	BODY SEAT	PTFE
6	STEM	BRASS
7	NICKEL PLATED SCREW	STEEL
8	O-RING STEM SEAL	VITON
9	BLACK HANDLE	NYLON

PART NO.	DIMENSIONS								NPT THREAD	PRESS. RATING	WT. LBS	UNCONTROLLED DRAWING	NO.	FILE NO.				
	A	B	C	D	E	F	G	H					VNH3-PM	SUB002				
VNH3-PM 1/4	.314	1.71	.91	.89	1.12	.826	.47	.47	1/4-18	450 CWP	.18	THIS PRINT IS THE PROPERTY OF DYNAGUIP CONTROLS AND SHALL NOT BE COPIED, REPRODUCED, LOANED, OR DISPOSED OF DIRECTLY OR INDIRECTLY, NOR USED FOR ANY PURPOSE OTHER THAN THAT FOR WHICH IT IS SPECIFICALLY FURNISHED EXCEPT BY WRITTEN PERMISSION OF DYNAGUIP CONTROLS.	TITLE MINI BALL VALVE BRASS MALE X FEMALE					
VNH3-PM 3/8	.314	1.71	.91	.89	1.12	.826	.47	.47	3/8-18	450 CWP	.18		DR	DATE	CH'ED	DATE	ENGR	DATE
VNH3-PM 1/2	.393	2.11	1.10	.89	1.20	.984	.61	.61	1/2-14	450 CWP	.30		MJP	11-07-96	LJH	01-20-00	LJH	01-20-00

