

RATING SPECIFICATIONS
OPERATING PRESSURE - 1000 CWP

* ZINC PHOSPHATE COATED

13	NUT	CARBON STEEL BLACK OXIDE COAT
12	BOLT	CARBON STEEL BLACK OXIDE COAT
11	END CAP *	CARBON STEEL ASTM A216 GR WCB
10	SEAL, END CAP	REINFORCED TFE
9	SEAT, BALL	25% CARBON TFM
8	BALL	ASTM A351 GR CF8M
7	NUT	CARBON STEEL ZN PLT
6	HANDLE/STOP PLT	CARBON STEEL AISI 1010 ZN PLT
5	PACK GLAND *	ASTM A108 GR 1045
4	SEAL, STEM	25% CARBON TFM
3	THRUSTWASHER	REINFORCED TFE
2	STEM	ASTM A276 GR 316
1	BODY *	CARBON STEEL ASTM A216 GR WCB
ITEM NO.	DESCRIPTION	MATERIAL

ALL VALVES TO BE ASSEMBLED
WITH SILICONE FREE LUBRICANT

CATALOG NUMBER	DIMENSIONS										PRESSURE RATING	C _v	WT. (LBS)
	A	B	C	D	E	F	G	H	J	K			
VBE2-A90A 1/4	2.49	1.91	2.37	4.16	.43	.64	1.15	1.42	1.417	M5	1000 CWP 150 SWP	6	.97
VBE2-A90A 3/8	2.49	1.91	2.37	4.16	.43	.64	1.15	1.42	1.417	M5	1000 CWP 150 SWP	12	.97
VBE2-A90A 1/2	2.76	1.91	2.37	4.16	.56	.64	1.15	1.42	1.417	M5	1000 CWP 150 SWP	15	1.23
VBE2-A90A 3/4	3.03	2.13	2.82	4.96	.81	.76	1.34	1.65	1.654	M5	1000 CWP 150 SWP	30	1.91
VBE2-A90A 1	3.62	2.60	3.12	4.96	1.00	.94	1.58	1.65	1.654	M5	1000 CWP 150 SWP	60	2.93
VBE2-A90A 1 1/4	4.13	2.86	3.32	7.66	1.25	1.07	1.82	1.97	1.969	M6	1000 CWP 150 SWP	110	4.27
VBE2-A90A 1 1/2	4.72	3.23	3.61	7.66	1.50	1.24	2.07	1.97	1.969	M6	1000 CWP 150 SWP	130	6.01
VBE2-A90A 2	5.43	3.83	3.99	7.66	1.97	1.48	2.40	1.97	1.969	M6	1000 CWP 150 SWP	245	10.00

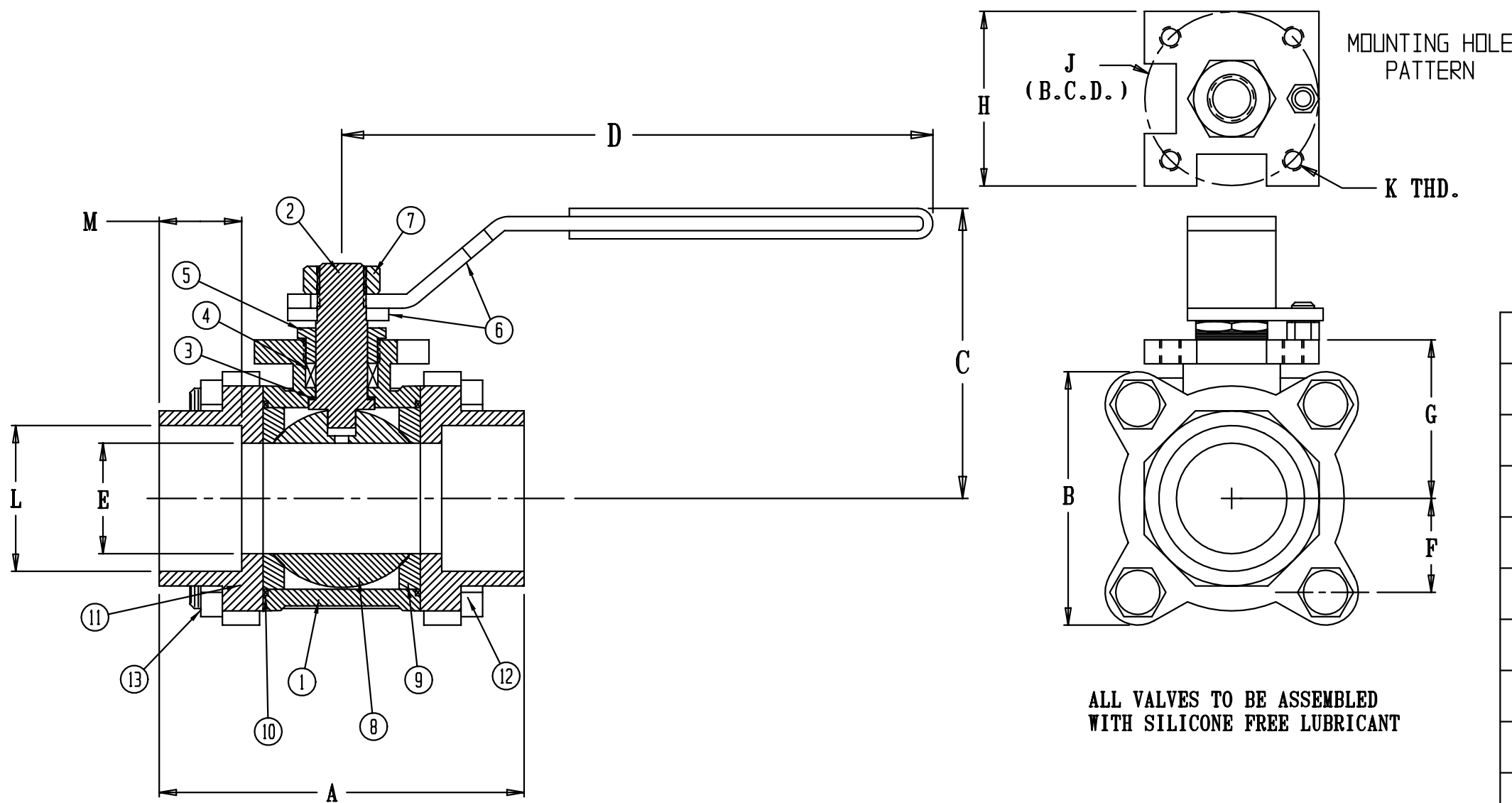
UNCONTROLLED
DRAWING

THIS PRINT IS THE PROPERTY OF DYNAQUIP CONTROLS AND SHALL NOT BE COPIED, REPRODUCED, LOANED, OR DISPOSED OF DIRECTLY OR INDIRECTLY, NOR USED FOR ANY PURPOSE OTHER THAN THAT FOR WHICH IT IS SPECIFICALLY FURNISHED EXCEPT BY WRITTEN PERMISSION OF DYNAQUIP CONTROLS.

NO. **VBE2-A90A** FILE NO. SUB029

TITLE
**BALL VALVE - VBE SERIES
FEMALE THREAD
3 PC - CS - 1000 CWP**

DR	DATE	CH'KD	DATE	ENGR	DATE
EJC	11-07-96	LJH	02-17-99	LJH	02-17-99



RATING SPECIFICATIONS
OPERATING PRESSURE - 1000 CWP

* ZINC PHOSPHATE COATED

13	NUT	CARBON STEEL BLACK OXIDE COAT
12	BOLT	CARBON STEEL BLACK OXIDE COAT
11	END CAP *	CARBON STEEL ASTM A216 GR WCB
10	SEAL, END CAP	REINFORCED TFE
9	SEAT, BALL	25% CARBON TFM
8	BALL	ASTM A351 GR CF8M
7	NUT	CARBON STEEL ZN PLT
6	HANDLE/STOP PLT	CARBON STEEL AISI 1010 ZN PLT
5	PACK GLAND *	ASTM A108 GR 1045
4	SEAL, STEM	25% CARBON TFM
3	THRUSTWASHER	REINFORCED TFE
2	STEM	ASTM A276 GR 316
1	BODY *	CARBON STEEL ASTM A216 GR WCB
ITEM NO.	DESCRIPTION	MATERIAL

ALL VALVES TO BE ASSEMBLED
WITH SILICONE FREE LUBRICANT

CATALOG NUMBER	DIMENSIONS												PRESSURE RATING	C _v	WT. (LBS)
	A	B	C	D	E	F	G	H	J	K	L	M			
VBE2-C90A 1/2	2.76	1.91	2.37	4.16	.56	.64	1.15	1.42	1.417	M5	.865	.38	1000 CWP 150 SWP	15	1.23
VBE2-C90A 3/4	3.03	2.13	2.82	4.96	.81	.76	1.34	1.65	1.654	M5	1.075	.50	1000 CWP 150 SWP	30	1.91
VBE2-C90A 1	3.62	2.60	3.12	4.96	1.00	.94	1.58	1.65	1.654	M5	1.340	.50	1000 CWP 150 SWP	60	2.93
VBE2-C90A 1 1/4	4.13	2.86	3.32	7.66	1.25	1.07	1.82	1.97	1.969	M6	1.685	.50	1000 CWP 150 SWP	110	4.27
VBE2-C90A 1 1/2	4.72	3.23	3.61	7.66	1.50	1.24	2.07	1.97	1.969	M6	1.925	.50	1000 CWP 150 SWP	130	6.01
VBE2-C90A 2	5.43	3.83	3.99	7.66	1.97	1.48	2.40	1.97	1.969	M6	2.416	.62	1000 CWP 150 SWP	245	10.00

UNCONTROLLED
DRAWING

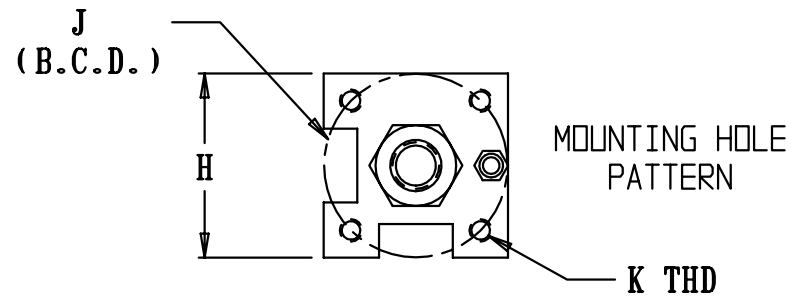
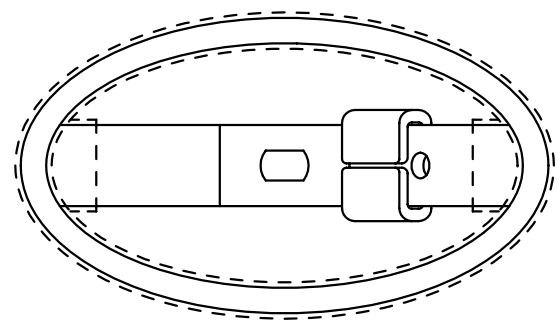
Data is for general information only, and is subject to change without notice.

NO. VBE2-C90A FILE NO. SUB063

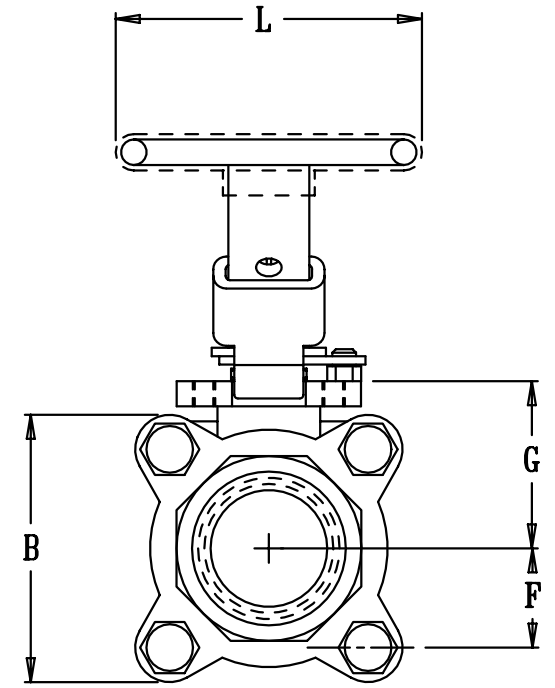
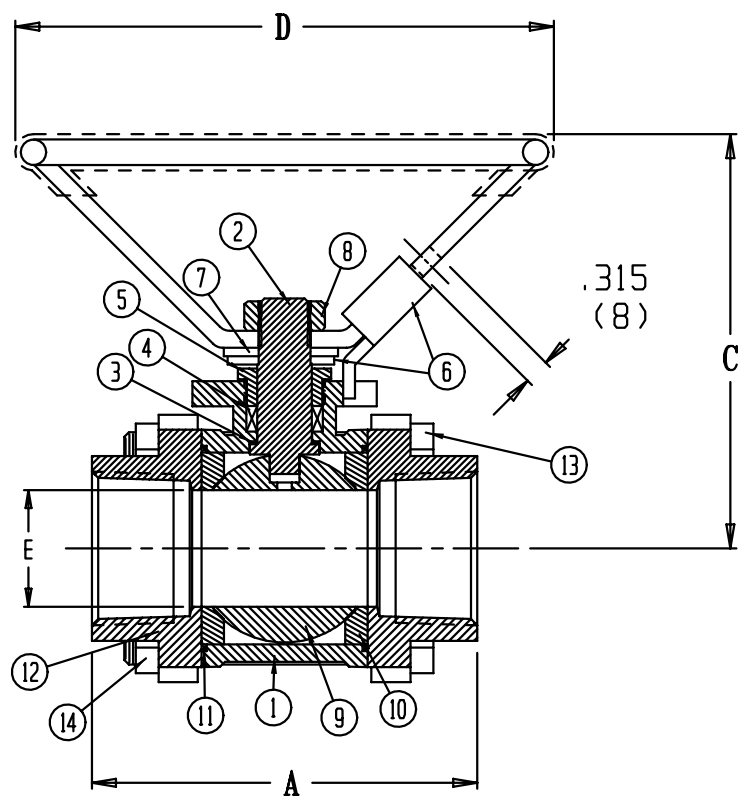
TITLE BALL VALVE - VBE SERIES
SOCKET WELD
3 PC - CS - 1000 CWP

DR	DATE	CH'KD	DATE	ENGR	DATE
EJC	02-17-99	LJH	02-17-99	LJH	02-17-99





ALL VALVES TO BE ASSEMBLED WITH SILICONE FREE LUBRICANT



* ZINC PHOSPHATE COATED

14	NUT	CARBON STEEL BLACK OXIDE COAT
13	BOLT	CARBON STEEL BLACK OXIDE COAT
12	END CAP *	CARBON STEEL ASTM A216 GR WCB
11	SEAL, END CAP	REINFORCED TFE
10	SEAT, BALL	REINFORCED TFE
9	BALL	ASTM A351 GR CF8M
8	NUT	CARBON STEEL ZN PLT
7	SPACER NOT REQUIRED FOR 1" & 2"	STAINLESS STEEL
6	OVAL HANDLE	STAINLESS STEEL TYPE 304
6	STOP PLATE	CARBON STEEL AISI 1010 ZN PLT
5	PACK GLAND *	ASTM A108 GR 1045
4	SEAL, STEM	REINFORCED TFE
3	THRUSTWASHER	REINFORCED TFE
2	STEM	ASTM A276 GR 316
1	BODY *	CARBON STEEL ASTM A216 GR WCB
ITEM NO.	DESCRIPTION	MATERIAL

CATALOG NUMBER	DIMENSIONS											PRESSURE RATING	C _v	WT. (LBS)
	A	B	C	D	E	F	G	H	J	K	L			
VBE2-A9AQ 1/4	2.49	1.91	3.28	3.70	.43	.64	1.15	1.42	1.417	M5	2.30	1000 CWP 150 SWP	6	.97
VBE2-A9AQ 3/8	2.49	1.91	3.28	3.70	.43	.64	1.15	1.42	1.417	M5	2.30	1000 CWP 150 SWP	12	.97
VBE2-A9AQ 1/2	2.76	1.91	3.28	3.70	.56	.64	1.15	1.42	1.417	M5	2.30	1000 CWP 150 SWP	15	1.23
VBE2-A9AQ 3/4	3.03	2.13	3.76	5.00	.81	.76	1.34	1.65	1.654	M5	2.84	1000 CWP 150 SWP	30	1.91
VBE2-A9AQ 1	3.62	2.60	4.00	5.00	1.00	.94	1.58	1.65	1.654	M5	2.84	1000 CWP 150 SWP	60	2.93
VBE2-A9AQ 1 1/4	4.13	2.86	4.48	5.45	1.25	1.07	1.82	1.97	1.969	M6	3.40	1000 CWP 150 SWP	110	4.27
VBE2-A9AQ 1 1/2	4.72	3.23	4.74	5.45	1.50	1.24	2.07	1.97	1.969	M6	3.40	1000 CWP 150 SWP	130	6.01
VBE2-A9AQ 2	5.43	3.83	5.00	5.45	1.97	1.48	2.40	1.97	1.969	M6	3.40	1000 CWP 150 SWP	245	10.00

UNCONTROLLED DRAWING

THIS PRINT IS THE PROPERTY OF DYNAQUIP CONTROLS AND SHALL NOT BE COPIED, REPRODUCED, LOANED, OR DISPOSED OF DIRECTLY OR INDIRECTLY, NOR USED FOR ANY PURPOSE OTHER THAN THAT FOR WHICH IT IS SPECIFICALLY FURNISHED EXCEPT BY WRITTEN PERMISSION OF DYNAQUIP CONTROLS.

NO. VBE2-A9AQ FILE NO. SUB071

TITLE BALL VALVE - VBE SERIES 3 PC - CS - FPT - 1000 CWP WITH OVAL HANDLE

DR	DATE	CH'KD	DATE	ENGR	DATE
EJC	11-07-96	LJH	11-07-96	LJH	11-07-96

