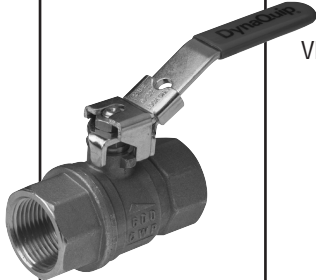



OPTION SUFFIX	HANDLES & DESCRIPTION	VALVE SERIES	SIZES	RETROFIT/REPLACEMENT KITS*
OP	 <p>For padlocking valves in open and closed position. Meets OSHA regulations on lockout.</p>	VMB	1/4" - 1/2" 3/4", 1" 1-1/4" - 2"	144267.01 144268.01 144269.01
OQ	 <p>For safety purposes and ease of use. Work well for reducing space.</p>	VMB	1/4" - 1/2" 3/4", 1" 1-1/4" - 2"	144064.025 144064.075 143122.150

Note: Use option suffix when ordering valves with option installed. Order retrofit kits for field installation.