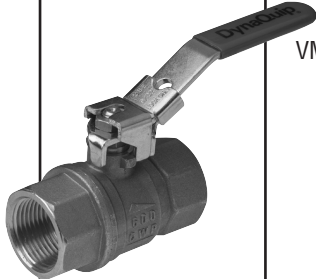




OPTION SUFFIX	HANDLES & DESCRIPTION	VALVE SERIES	SIZES	RETROFIT/REPLACEMENT KITS*
OP	 <p>For padlocking valves in open and closed position. Meets OSHA regulations on lockout.</p>	VME1	1/4" - 1/2" 3/4", 1" 1-1/4", 1-1/2" 2" ***	143147.01 143148.01 144269.01 143296
OQ	 <p>For safety purposes and ease of use. Work well for reducing space.</p>	VME1	1/4" - 1/2" 3/4", 1" 1-1/4", 1-1/2" 2"	143122.050 143122.100 143122.150 143122.200
OE	 <p>Compact handles for space and safety.</p>	VME1	1/4", 3/8" 3/4", 1"	143095 143096

Note: Use option suffix when ordering valves with option installed. Order retrofit kits for field installation.

*** 2-piece handle & bracket design