

12	END CAP	STEEL C12L14, ZINC PHOS COAT
11	END CAP SEAL	PTFE
10	BALL	STEEL C12L14, CHROME PLT.
9	BALL SEAT	REINFORCED PTFE
8	HANDLE COVER	VINYL
8	HANDLE	STEEL, ZINC PLATE
7	NUT	STEEL, ZINC PLATE
6	SPRING WASHER	STEEL, ZINC PLATE
5	FOLLOWER	STAINLESS STEEL, 304
4	STEM SEAL	REINFORCED PTFE
3	THRUSTWASHER	REINFORCED PTFE
2	STEM	STEEL C12L14, NICKEL PLT.
1	BODY	STEEL C12L14, ZINC PHOS COAT
ITEM	PART NAME	MATERIAL

CATALOG NO.	DIMENSIONS						PRESSURE RATING	C _v	WT. LBS.
	A	B	C	D	E	F			
VME2-A9 1/4	.40	2.00	1.00	3.78	1.63	.53	2000 CWP 150 SWP	6	.6
VME2-A9 3/8	.40	2.00	1.00	3.78	1.63	.53	2000 CWP 150 SWP	12	.6
VME1-A9 1/2	.54	2.37	1.12	3.78	1.73	.63	2000 CWP 150 SWP	15	.8
VME1-A9 3/4	.68	2.90	1.40	5.10	2.08	.81	2000 CWP 150 SWP	23	1.4
VME1-A9 1	.88	3.41	1.65	5.10	2.30	1.00	2000 CWP 150 SWP	36	2.4

UNCONTROLLED DRAWING

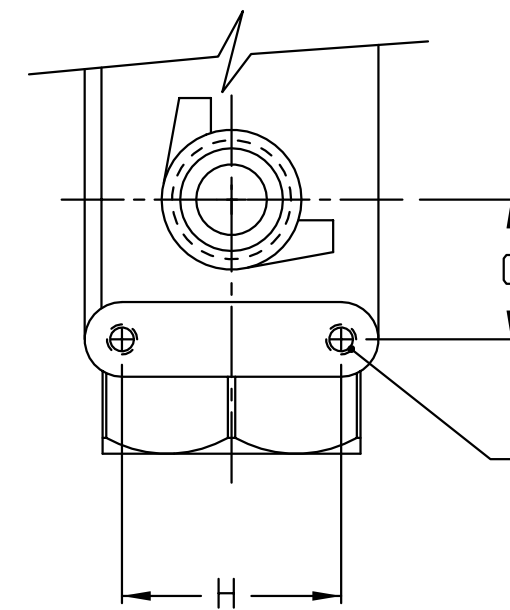
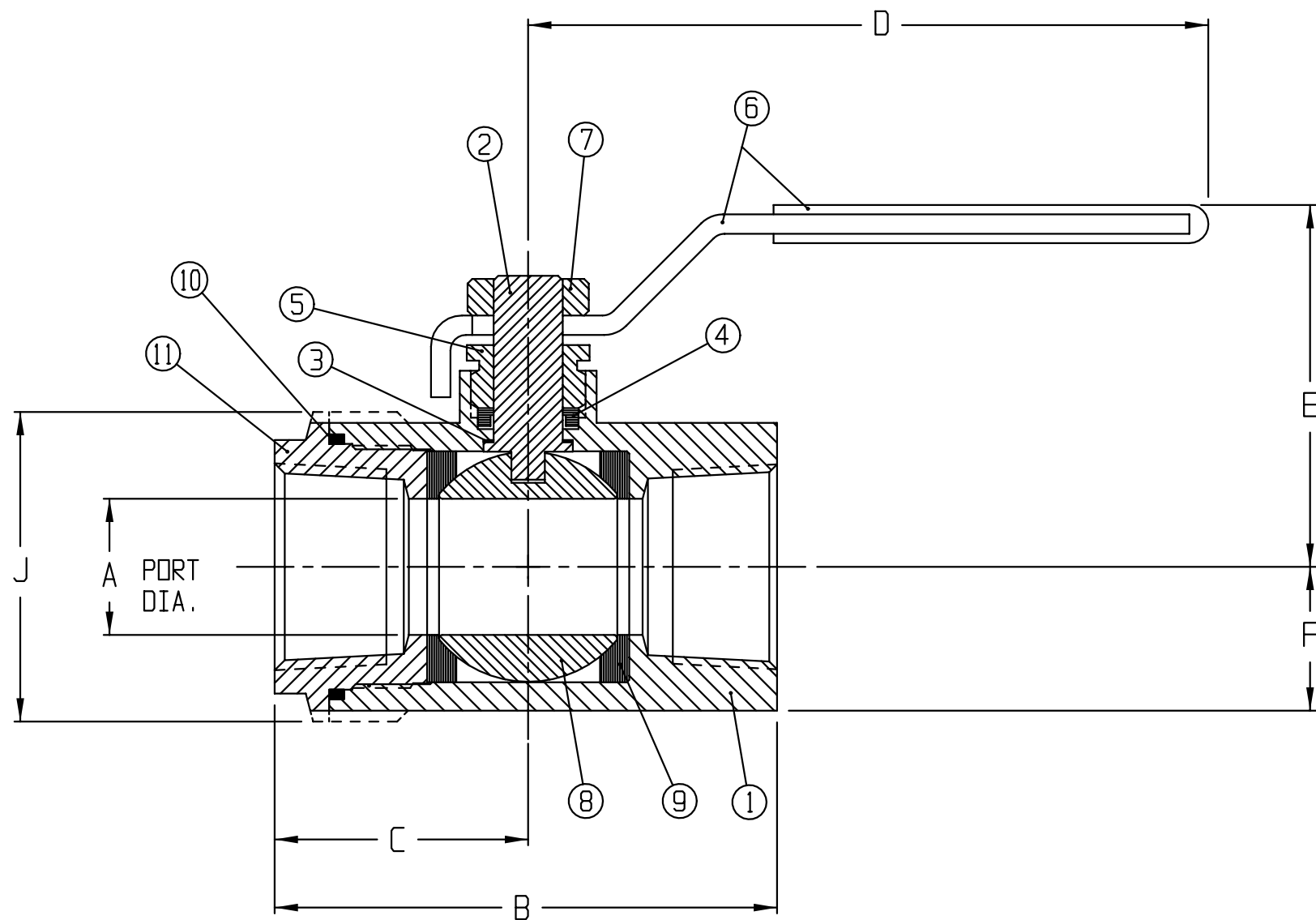
THIS PRINT IS THE PROPERTY OF DYNAQUIP CONTROLS AND SHALL NOT BE COPIED, REPRODUCED, LOANED, OR DISPOSED OF DIRECTLY OR INDIRECTLY, NOR USED FOR ANY PURPOSE OTHER THAN THAT FOR WHICH IT IS SPECIFICALLY FURNISHED EXCEPT BY WRITTEN PERMISSION OF DYNAQUIP CONTROLS.

NO. VME1-A9 **FILE NO. SUB073**

TITLE
BALL VALVE - VME SERIES
BAR STOCK - NPT THREADS
(NEW OVER ALL LENGTH)

DR	DATE	CH'KD	DATE	ENGR	DATE
EJC	11-07-96	LJH	11-07-96	LJH	11-07-96





SIZES 1 1/4, 1 1/2, 2
 .250-20 UNC-2B THD .28 DEEP

11	END CAP	STEEL C12L14, PHOSPHATE COAT
10	END CAP SEAL	PTFE
9	BALL SEAT	REINFORCED PTFE
8	BALL	STEEL C12L14, CHROME PLT.
7	HANDLE NUT	STEEL, ZINC PLATE
6	HANDLE COVER	VINYL
6	HANDLE	STEEL, ZINC PLATE
5	STEM GLAND	STEEL C12L14, ZINC PLT.
4	STEM SEAL	REINFORCED PTFE
3	THRUSTWASHER	REINFORCED PTFE
2	STEM	STEEL C12L14, NICKEL PLT.
1	BODY	STEEL ASTM A216 GR. WCB, PHOS. COAT
ITEM	PART NAME	MATERIAL

CATALOG NO.	DIMENSIONS									PRESSURE RATING	C _v	WT. LBS.
	A	B	C	D	E	F	G	H	J			
VME1-A9 1 1/4	1.00	3.94	2.00	6.10	2.76	1.13	.94	1.50		1500 CWP 150 SWP	44	2.7
VME1-A9 1 1/2	1.25	4.65	2.37	6.10	2.98	1.34	.94	1.50	2.75	1500 CWP 150 SWP	64	4.5
VME1-A9 2	1.50	4.98	2.57	8.60	3.54	1.52	1.03	2.00		1500 CWP 150 SWP	114	6.1

UNCONTROLLED DRAWING

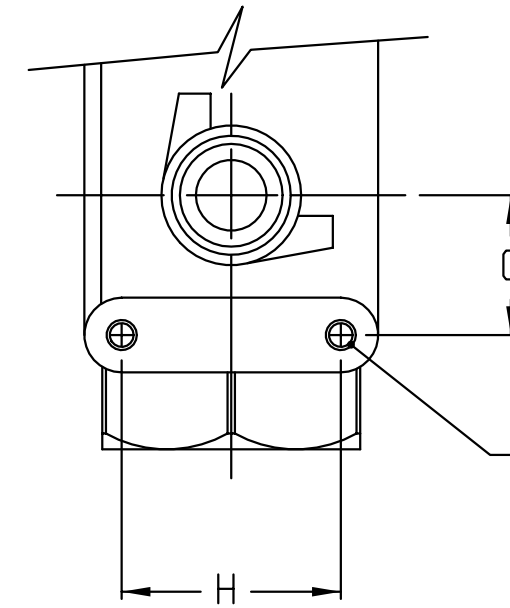
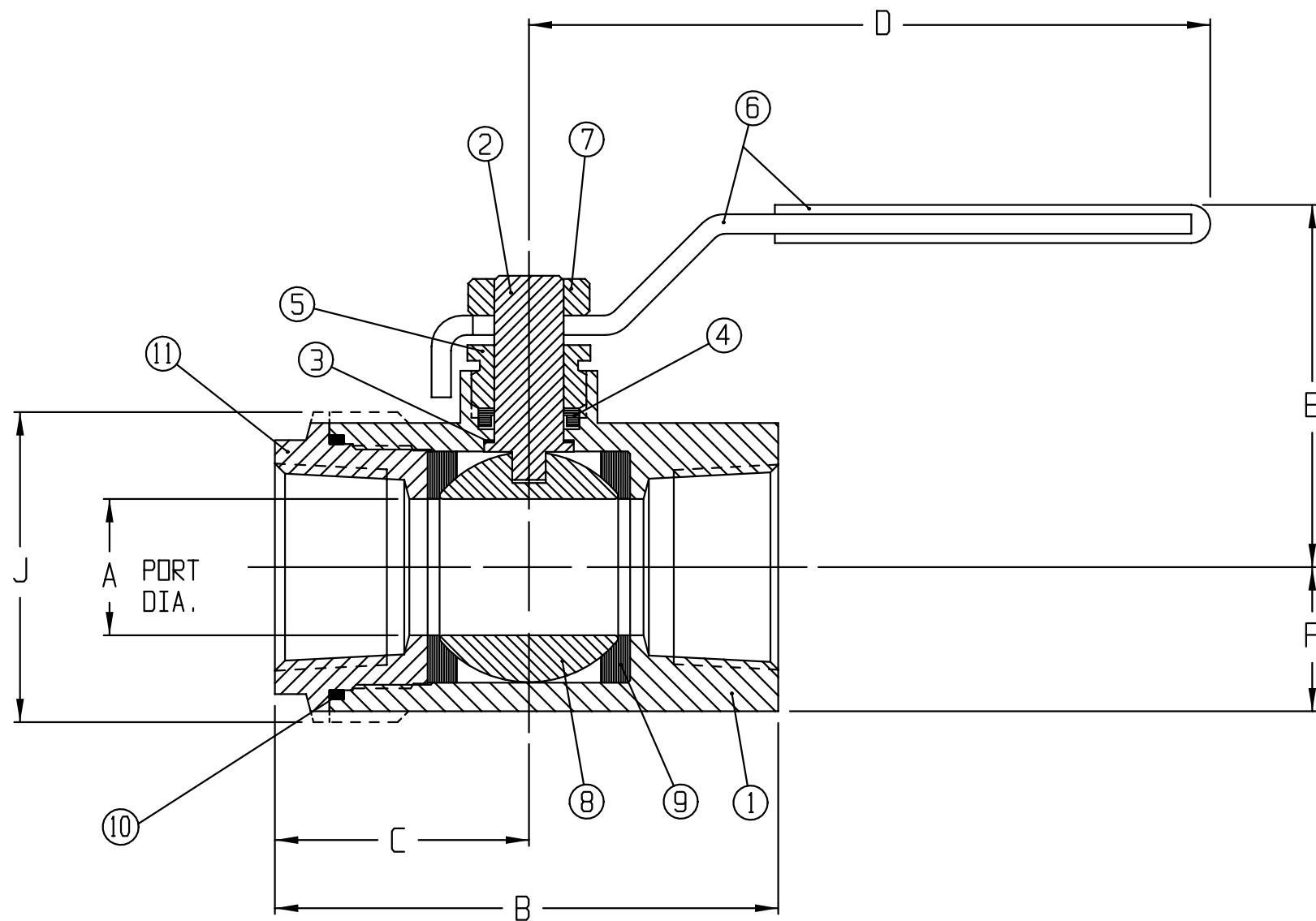
THIS PRINT IS THE PROPERTY OF DYNAQUIP CONTROLS AND SHALL NOT BE COPIED, REPRODUCED, LOANED, OR DISPOSED OF DIRECTLY OR INDIRECTLY, NOR USED FOR ANY PURPOSE OTHER THAN THAT FOR WHICH IT IS SPECIFICALLY FURNISHED EXCEPT BY WRITTEN PERMISSION OF DYNAQUIP CONTROLS.

NO. **VME1-A9** FILE NO. SUB014

TITLE
**BALL VALVE - VME SERIES
 CAST - NPT THREADS**

DR	DATE	CH'KD	DATE	ENGR	DATE
EJC	11-07-96	LJH	01-21-00	LJH	01-21-00





SIZES 1 1/4, 1 1/2, 2
 .250-20 UNC-2B THD .28 DEEP

FEDERAL SPECIFICATION; WW-V-35C,
 TYPE II
 COMPOSITION, CS
 STYLE 3

11	END CAP	STEEL C12L14, PHOSPHATE COAT
10	END CAP SEAL	PTFE
9	BALL SEAT	REINFORCED PTFE
8	BALL	STAINLESS STEEL, TYPE 316
7	HANDLE NUT	STEEL, ZINC PLATE
6	HANDLE COVER	VINYL
6	HANDLE	STEEL, ZINC PLATE
5	STEM GLAND	STEEL C12L14, ZINC PLT.
4	STEM SEAL	REINFORCED PTFE
3	THRUSTWASHER	REINFORCED PTFE
2	STEM	STAINLESS STEEL, TYPE 316
1	BODY	STEEL ASTM A216 GR. WCB, PHOS. COAT
ITEM	PART NAME	MATERIAL

CATALOG NO.	DIMENSIONS									PRESSURE RATING	C _v	WT. LBS.
	A	B	C	D	E	F	G	H	J			
VME1-A90A 1 1/4	1.00	3.94	2.00	6.10	2.76	1.13	.94	1.50		1500 CWP 150 SWP	44	2.7
VME1-A90A 1 1/2	1.25	4.65	2.37	6.10	2.98	1.34	.94	1.50	2.75	1500 CWP 150 SWP	64	4.5
VME1-A90A 2	1.50	4.98	2.57	8.60	3.54	1.52	1.03	2.00		1500 CWP 150 SWP	114	6.1

UNCONTROLLED DRAWING

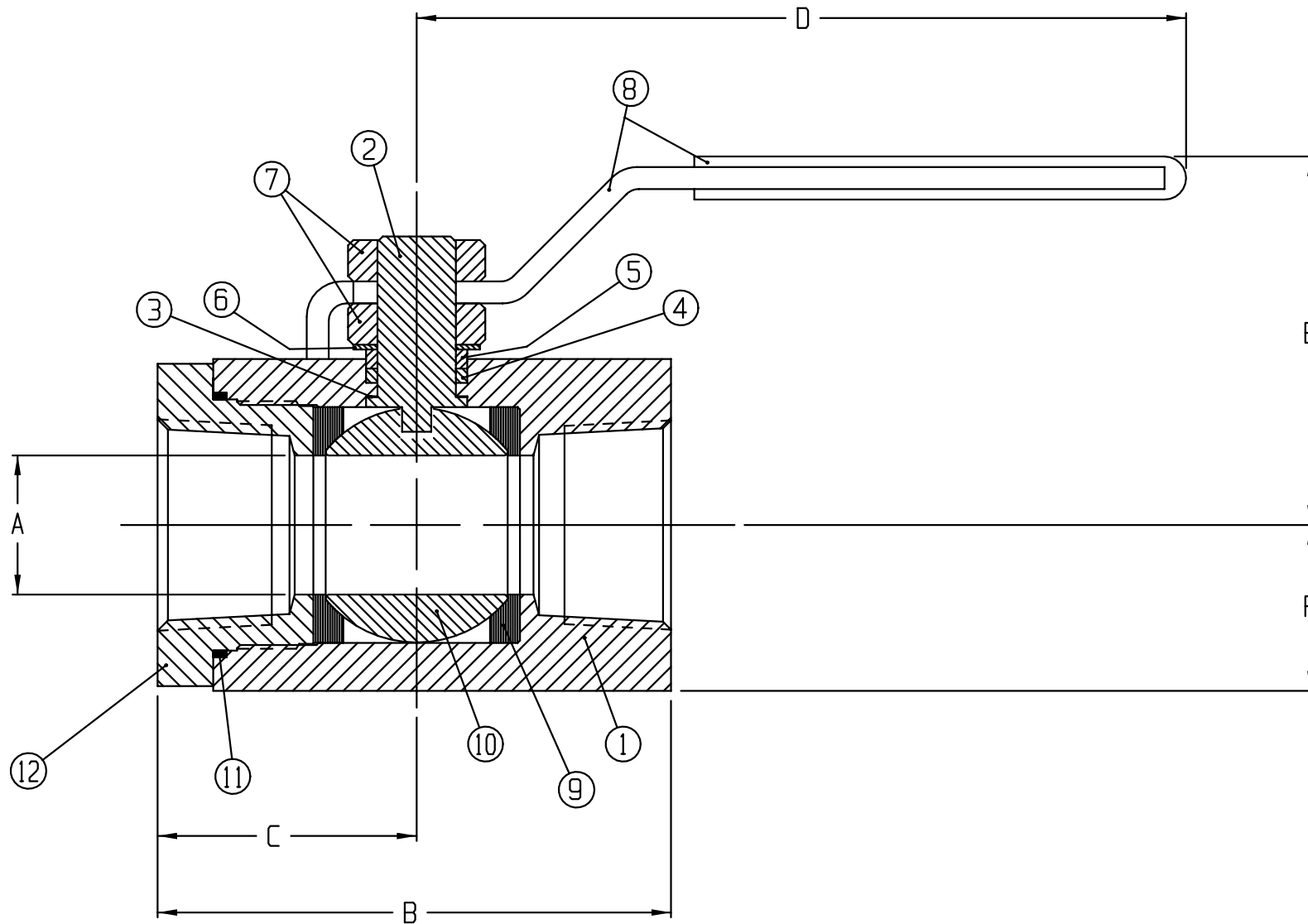
THIS PRINT IS THE PROPERTY OF DYNAQUIP CONTROLS AND SHALL NOT BE COPIED, REPRODUCED, LOANED, OR DISPOSED OF DIRECTLY OR INDIRECTLY, NOR USED FOR ANY PURPOSE OTHER THAN THAT FOR WHICH IT IS SPECIFICALLY FURNISHED EXCEPT BY WRITTEN PERMISSION OF DYNAQUIP CONTROLS.

NO. VME1-A90A **FILE NO. SUB015**

**TITLE BALL VALVE - VME SERIES
 CAST - NPT THREADS**

DR	DATE	CH'KD	DATE	ENGR	DATE
EJC	11-07-96	LJH	01-21-00	LJH	01-21-00





12	END CAP	STEEL C12L14, ZINC PHOS COAT
11	END CAP SEAL	PTFE
10	BALL	STAINLESS STEEL, TYPE 316
9	BALL SEAT	REINFORCED PTFE
8	HANDLE COVER	VINYL
8	HANDLE	STEEL, ZINC PLATE
7	NUT	STEEL, ZINC PLATE
6	SPRING WASHER	STEEL, ZINC PLATE
5	FOLLOWER	STAINLESS STEEL, 304
4	STEM SEAL	REINFORCED PTFE
3	THRUSTWASHER	REINFORCED PTFE
2	STEM	STAINLESS STEEL, TYPE 316
1	BODY	STEEL C12L14, ZINC PHOS COAT
ITEM	PART NAME	MATERIAL

CATALOG NO.	DIMENSIONS						PRESSURE RATING	C V	WT. LBS.
	A	B	C	D	E	F			
VME2-A90A 1/4	.40	2.00	1.00	3.78	1.63	.53	2000 CWP 150 SWP	6	.6
VME2-A90A 3/8	.40	2.00	1.00	3.78	1.63	.53	2000 CWP 150 SWP	12	.6
VME1-A90A 1/2	.54	2.37	1.12	3.78	1.73	.63	2000 CWP 150 SWP	15	.8
VME1-A90A 3/4	.68	2.90	1.40	5.10	2.08	.81	2000 CWP 150 SWP	23	1.4
VME1-A90A 1	.88	3.41	1.65	5.10	2.30	1.00	2000 CWP 150 SWP	36	2.4

**UNCONTROLLED
DRAWING**

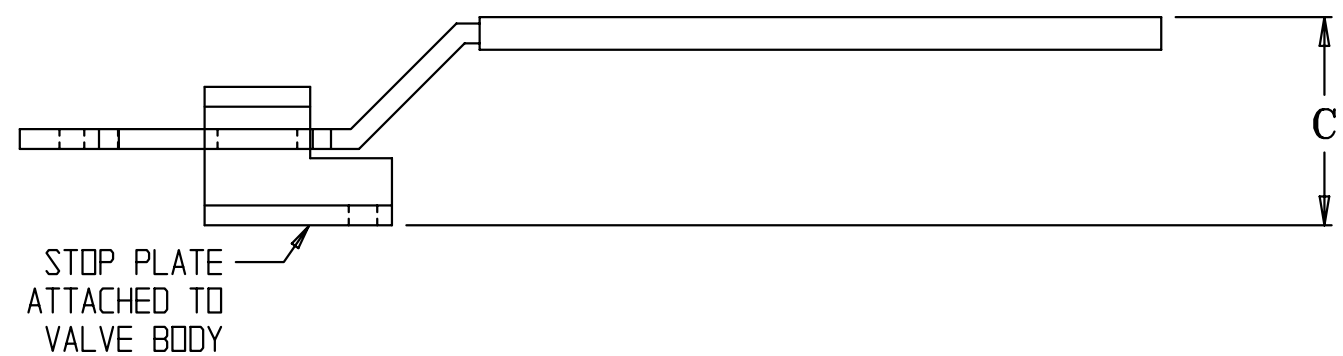
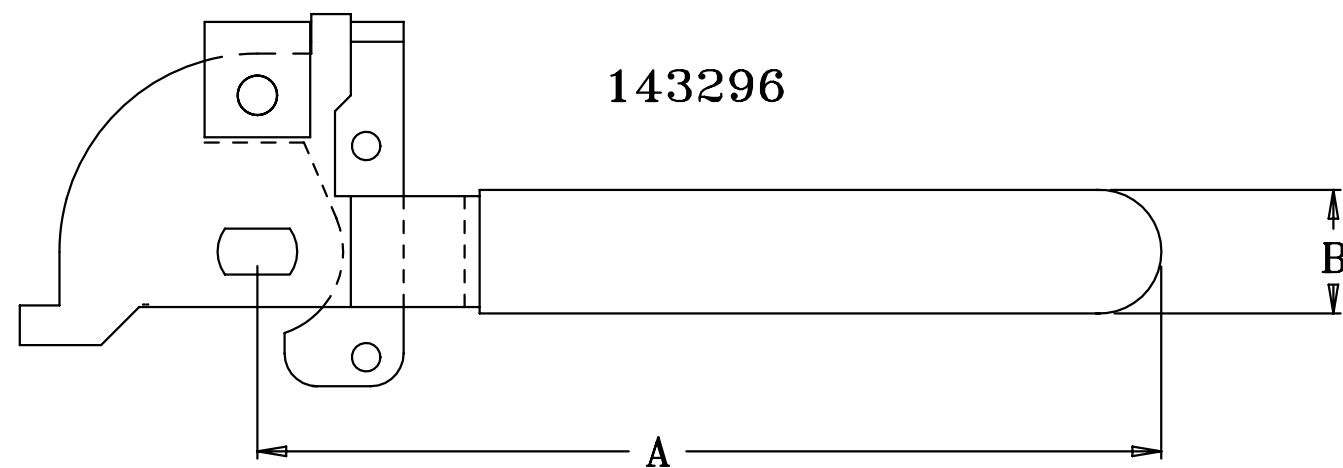
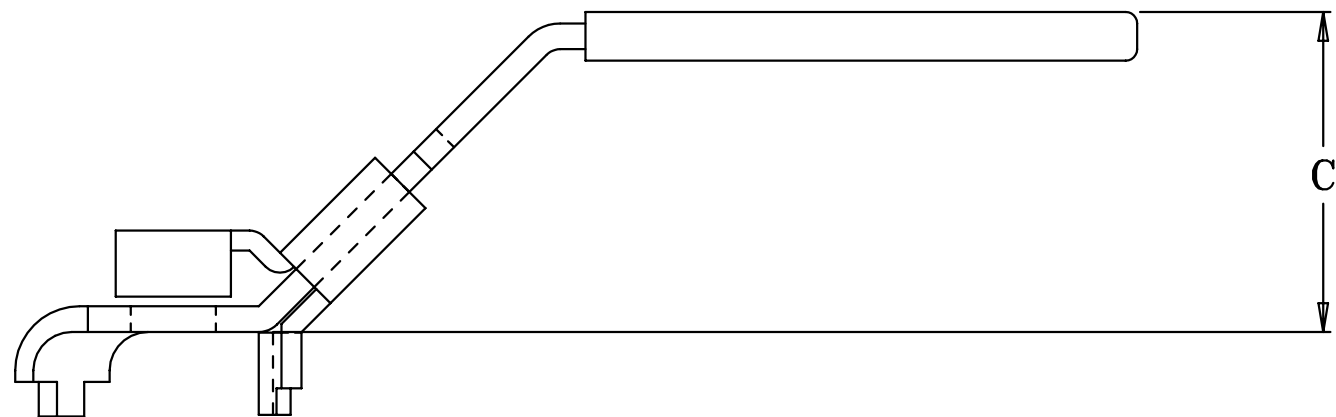
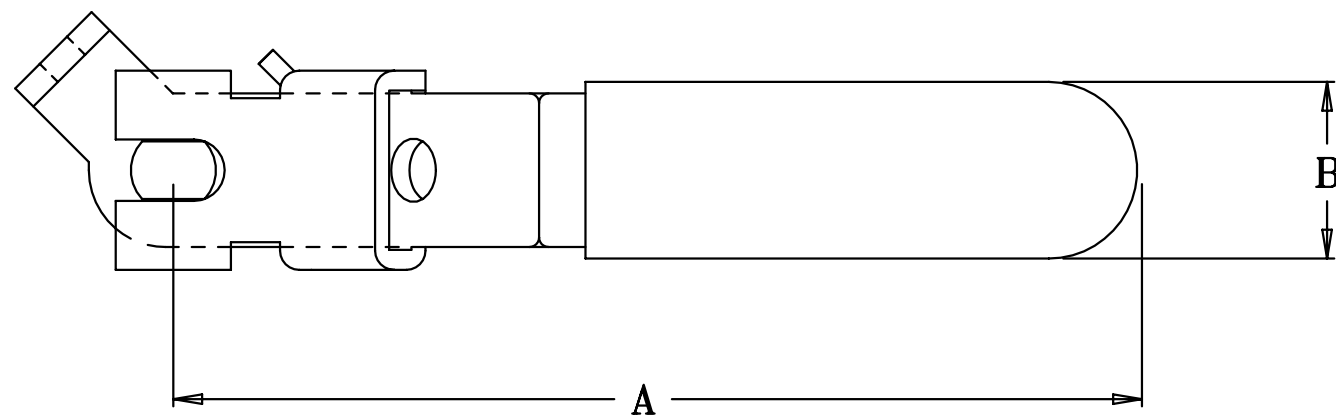
THIS PRINT IS THE PROPERTY OF DYNAQUIP CONTROLS AND SHALL NOT BE COPIED, REPRODUCED, LOANED, OR DISPOSED OF DIRECTLY OR INDIRECTLY, NOR USED FOR ANY PURPOSE OTHER THAN THAT FOR WHICH IT IS SPECIFICALLY FURNISHED EXCEPT BY WRITTEN PERMISSION OF DYNAQUIP CONTROLS.

NO. VME1-A90A **FILE NO.** SUB077

TITLE
BALL VALVE - VME SERIES - BAR STOCK
NPT THREADS - 316 SS BALL & STEM
(NEW OVER ALL LENGTH)

DR	DATE	CH'KD	DATE	ENGR	DATE
EJC	11-07-96	LJH	11-07-96	LJH	11-07-96





HANDLE NUMBER	DIMENSIONS			VALVE SIZE		
	A	B	C	VME1	VME2	VME3
143147.01	4.18	0.84	1.39	1/2	1/4 3/8	1/2 3/4
143148.01	5.22	0.86	1.64	3/4 1		1 1 1/4
144269.01	7.60	1.06	1.32	1 1/4 1 1/2		1 1/2 2
143296	8.60	1.20	1.52	2		

UNCONTROLLED DRAWING

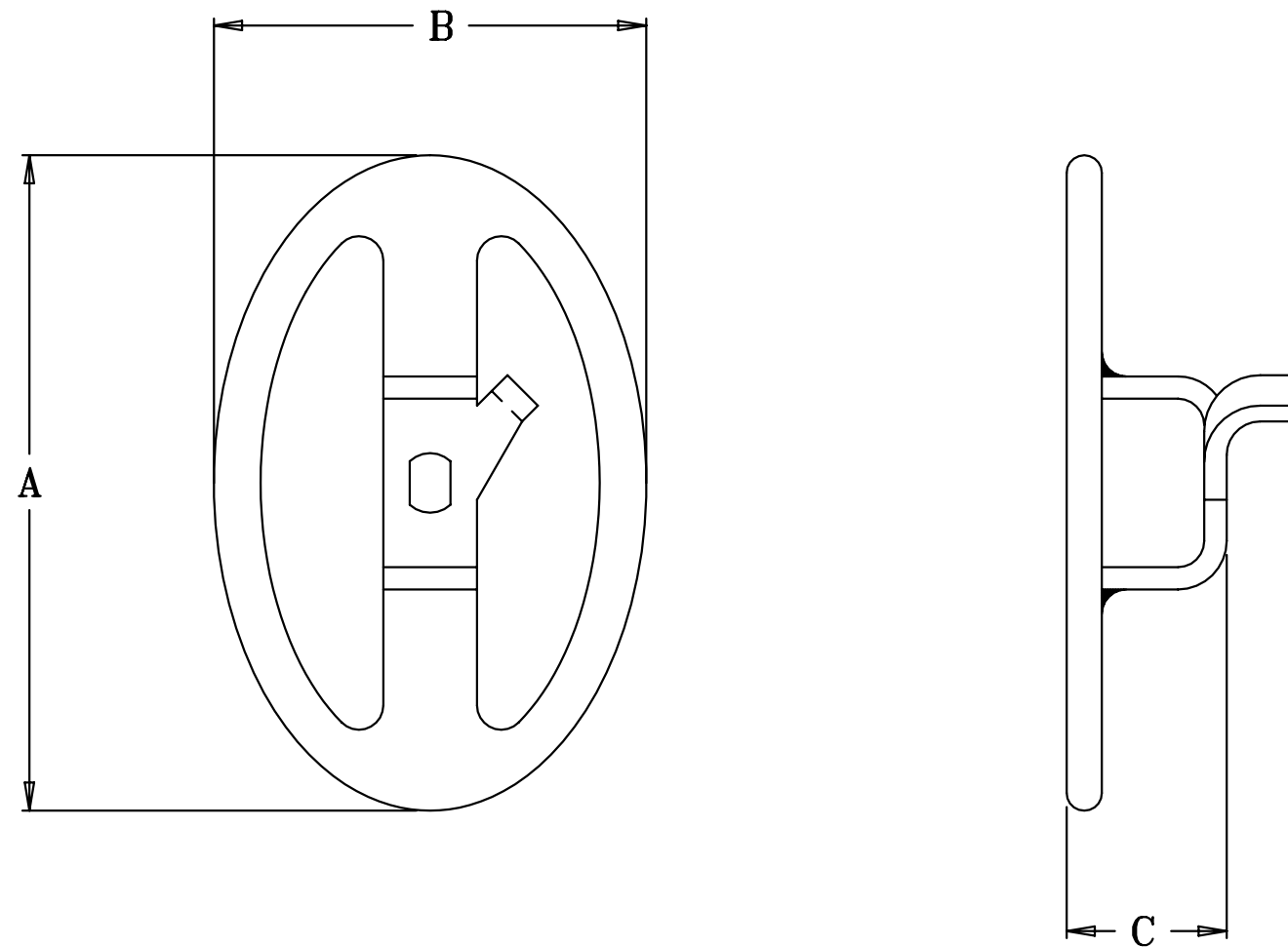
THIS PRINT IS THE PROPERTY OF DYNAPIP CONTROLS AND SHALL NOT BE COPIED, REPRODUCED, LOANED, OR DISPOSED OF DIRECTLY OR INDIRECTLY, NOR USED FOR ANY PURPOSE OTHER THAN THAT FOR WHICH IT IS SPECIFICALLY FURNISHED EXCEPT BY WRITTEN PERMISSION OF DYNAPIP CONTROLS.

NO. VME SERIES **FILE NO.**
SUB182

TITLE
LOCK HANDLE
VME SERIES

DR	DATE	CH' KD	DATE	ENGR	DATE
LJH	10-20-05	LJH	10-21-05	LJH	10-21-05





SPECIFICATIONS;
 MATERIAL; CARBON STEEL, ZINC PLATED
 PLATISOL COATED TOP

HANDLE NUMBER	DIMENSIONS			VALVE SIZE		
	A	B	C	VME1	VME2	VME3
143122.050	3.56	2.37	0.95	1/2	1/4 3/8	1/2 3/4
143122.100	5.06	3.06	1.04	3/4 1		1 1 1/4
143122.150	5.06	3.06	1.23	1 1/4 1 1/2		1 1/2 2
143122.200	6.56	4.06	1.23	2		

UNCONTROLLED DRAWING

THIS PRINT IS THE PROPERTY OF DYNAQUIP CONTROLS AND SHALL NOT BE COPIED, REPRODUCED, LOANED, OR DISPOSED OF DIRECTLY OR INDIRECTLY, NOR USED FOR ANY PURPOSE OTHER THAN THAT FOR WHICH IT IS SPECIFICALLY FURNISHED EXCEPT BY WRITTEN PERMISSION OF DYNAQUIP CONTROLS.

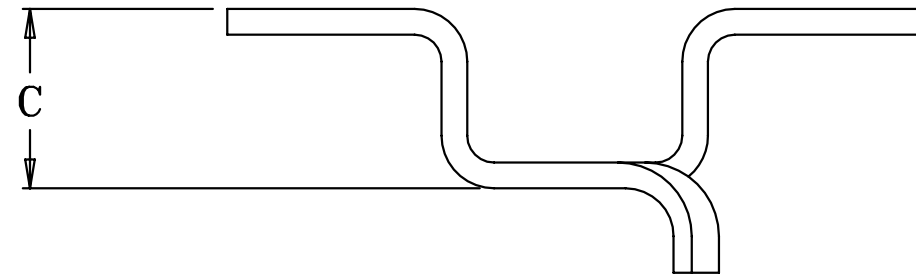
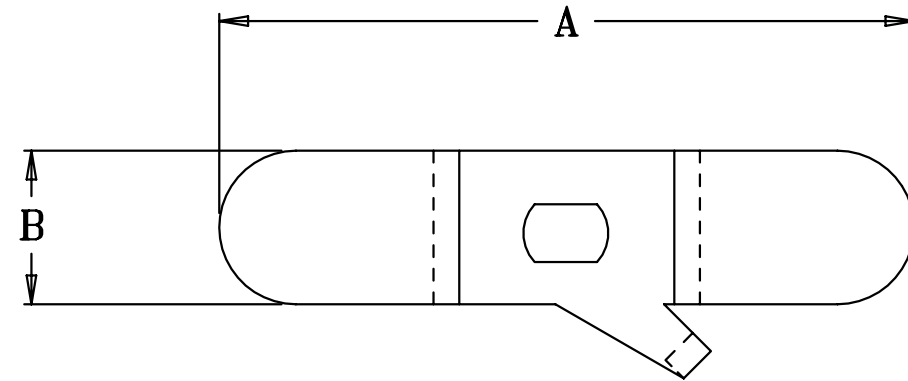
NO. VME SERIES **FILE NO.**
SUB184

TITLE
OVAL HANDLE
VME SERIES

DR	DATE	CH' KD	DATE	ENGR	DATE
LJH	10-21-05	LJH	10-21-05	LJH	10-21-05



HANDLE NUMBER	DIMENSIONS			VALVE SIZE		
	A	B	C	VME1	VME2	VME3
143095	2.90	0.56	0.75	1/2	1/4 3/8	1/2 3/4
143096	3.62	0.80	0.94	3/4 1		1 1 1/4



SPECIFICATIONS;
MATERIAL; CARBON STEEL, ZINC PLATED

**UNCONTROLLED
DRAWING**

THIS PRINT IS THE PROPERTY OF DYNAQUIP CONTROLS AND SHALL NOT BE COPIED, REPRODUCED, LOANED, OR DISPOSED OF DIRECTLY OR INDIRECTLY, NOR USED FOR ANY PURPOSE OTHER THAN THAT FOR WHICH IT IS SPECIFICALLY FURNISHED EXCEPT BY WRITTEN PERMISSION OF DYNAQUIP CONTROLS.

NO. VME SERIES **FILE NO.**
SUB185

TITLE
**GULL WING HANDLE
VME SERIES**

DR	DATE	CH' KD	DATE	ENGR	DATE
LJH	10-21-05	LJH	10-21-05	LJH	10-21-05

