

SIZES 1 1/4, 1 1/2, 2
.250-20 UNC-2B THD .28 DEEP

11	END CAP	STEEL C12L14, PHOSPHATE COAT
10	END CAP SEAL	PTFE
9	BALL SEAT	REINFORCED PTFE
8	BALL	STEEL C12L14, CHROME PLT.
7	HANDLE NUT	STEEL, ZINC PLATE
6	HANDLE COVER	VINYL
6	HANDLE	STEEL, ZINC PLATE
5	STEM GLAND	STEEL C12L14, ZINC PLT.
4	STEM SEAL	REINFORCED PTFE
3	THRUSTWASHER	REINFORCED PTFE
2	STEM	STEEL C12L14, NICKEL PLT.
1	BODY	STEEL ASTM A216 GR. WCB, PHOS. COAT
ITEM	PART NAME	MATERIAL

CATALOG NO.	DIMENSIONS									PRESSURE RATING	C _v	WT. LBS.
	A	B	C	D	E	F	G	H	J			
VME1-A9 1 1/4	1.00	3.94	2.00	6.10	2.76	1.13	.94	1.50		1500 CWP 150 SWP	44	2.7
VME1-A9 1 1/2	1.25	4.65	2.37	6.10	2.98	1.34	.94	1.50	2.75	1500 CWP 150 SWP	64	4.5
VME1-A9 2	1.50	4.98	2.57	8.60	3.54	1.52	1.03	2.00		1500 CWP 150 SWP	114	6.1

UNCONTROLLED DRAWING

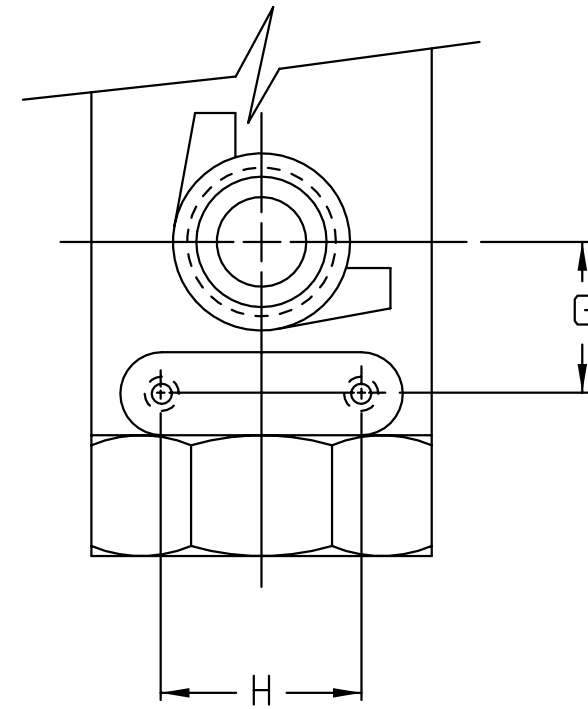
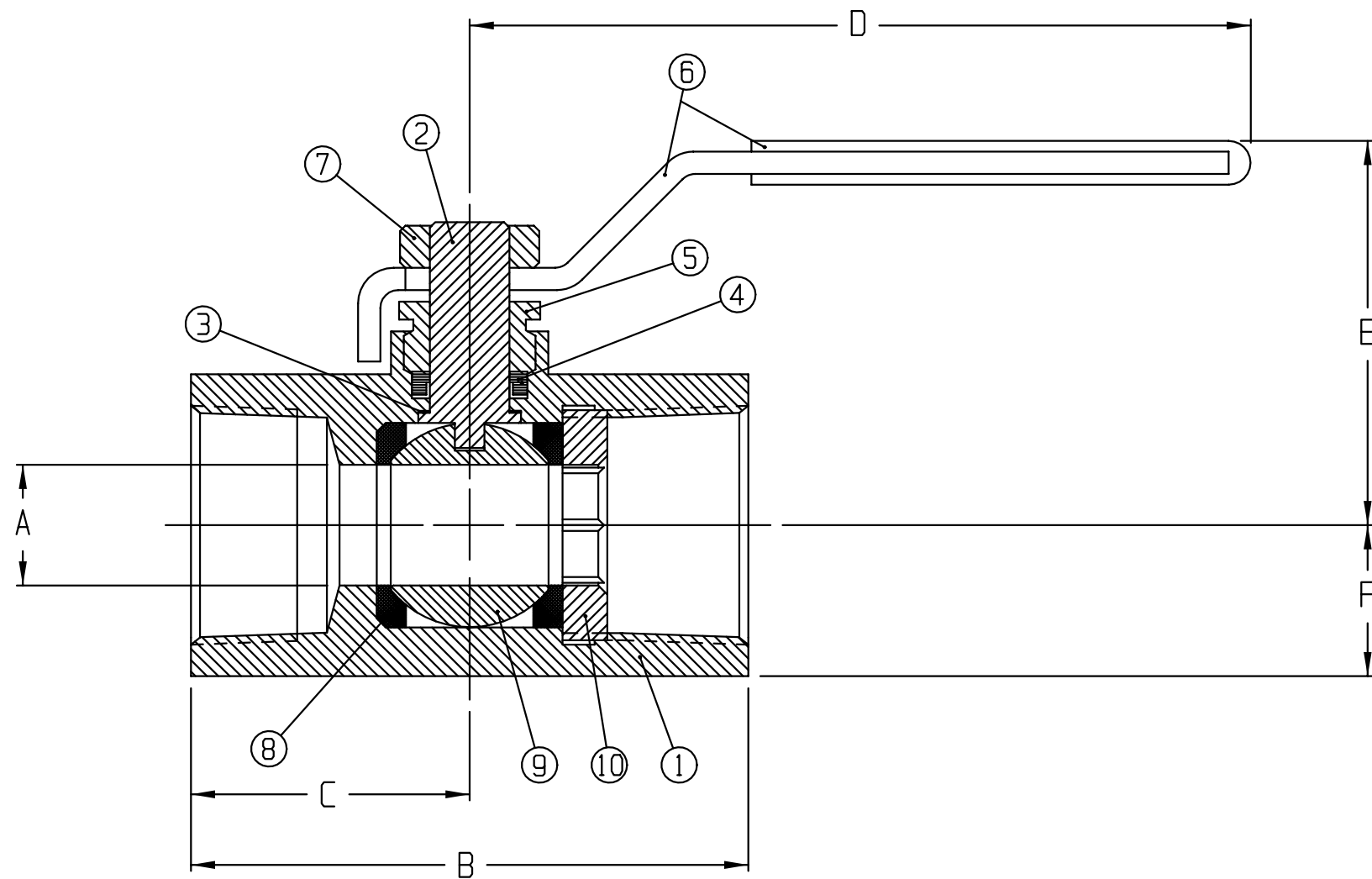
THIS PRINT IS THE PROPERTY OF DYNAQUIP CONTROLS AND SHALL NOT BE COPIED, REPRODUCED, LOANED, OR DISPOSED OF DIRECTLY OR INDIRECTLY, NOR USED FOR ANY PURPOSE OTHER THAN THAT FOR WHICH IT IS SPECIFICALLY FURNISHED EXCEPT BY WRITTEN PERMISSION OF DYNAQUIP CONTROLS.

NO. **VME1-A9** FILE NO. SUB014

TITLE
**BALL VALVE - VME SERIES
CAST - NPT THREADS**

DR	DATE	CH'KD	DATE	ENGR	DATE
EJC	11-07-96	LJH	01-21-00	LJH	01-21-00





FEDERAL SPECIFICATION; WW-V-35C,
TYPE II
COMPOSITION, CS
STYLE 3

10	SEAT RETAINER	STEEL C12L14, PHOSPHATE COAT
9	BALL	STEEL C12L14, CHROME PLT.
8	BALL SEAT	REINFORCED PTFE
7	HANDLE NUT	STEEL, ZINC PLATE
6	HANDLE COVER	VINYL
6	HANDLE	STEEL, ZINC PLATE
5	STEM GLAND	STEEL C12L14, ZINC PLT.
4	STEM SEAL	REINFORCED PTFE
3	THRUSTWASHER	REINFORCED PTFE
2	STEM	STEEL C12L14, NICKEL PLT.
1	BODY	STEEL ASTM A216 GR. WCB, PHOS. COAT
ITEM	PART NAME	MATERIAL

CATALOG NO.	DIMENSIONS								PRESSURE RATING	C _V	WT. LBS.
	A	B	C	D	E	F	G	H			
VME3-A9 1 1/2	1.00	4.00	2.00	6.10	2.58	1.13	.94	1.50	1500 CWP 150 SWP	52	3.1
VME3-A9 2	1.25	4.50	2.25	6.10	2.98	1.38	.94	1.50	1500 CWP 150 SWP	95	5.0

UNCONTROLLED DRAWING

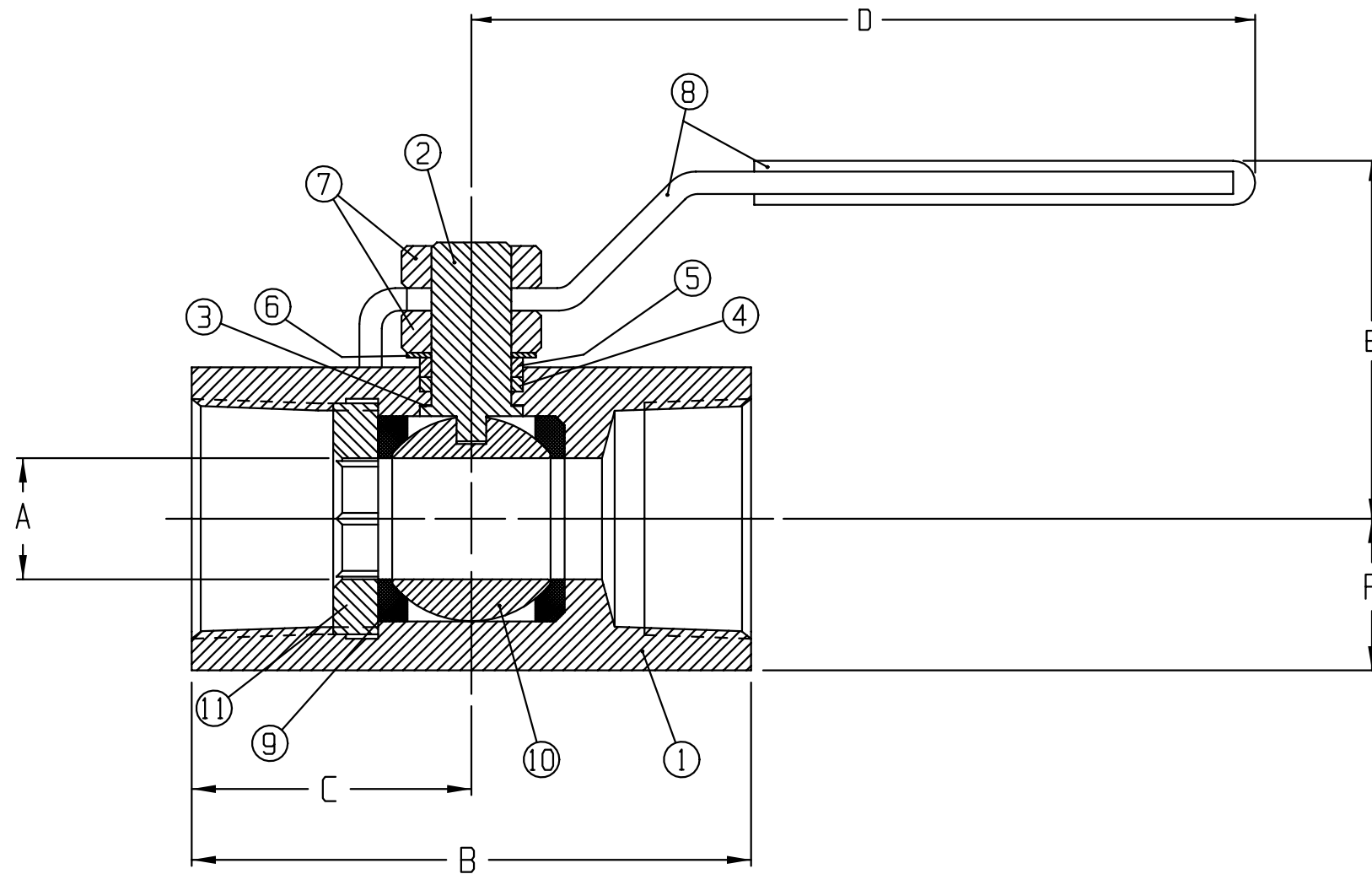
THIS PRINT IS THE PROPERTY OF DYNAQUIP CONTROLS AND SHALL NOT BE COPIED, REPRODUCED, LOANED, OR DISPOSED OF DIRECTLY OR INDIRECTLY, NOR USED FOR ANY PURPOSE OTHER THAN THAT FOR WHICH IT IS SPECIFICALLY FURNISHED EXCEPT BY WRITTEN PERMISSION OF DYNAQUIP CONTROLS.

NO. VME3-A9 **FILE NO. SLB018**

TITLE
BALL VALVE - VME SERIES
CAST - NPT THREADS

DR	DATE	CH'KD	DATE	ENGR	DATE
MJP	11-07-96	LJH	01-21-00	LJH	01-21-00


DynaQuip Controls

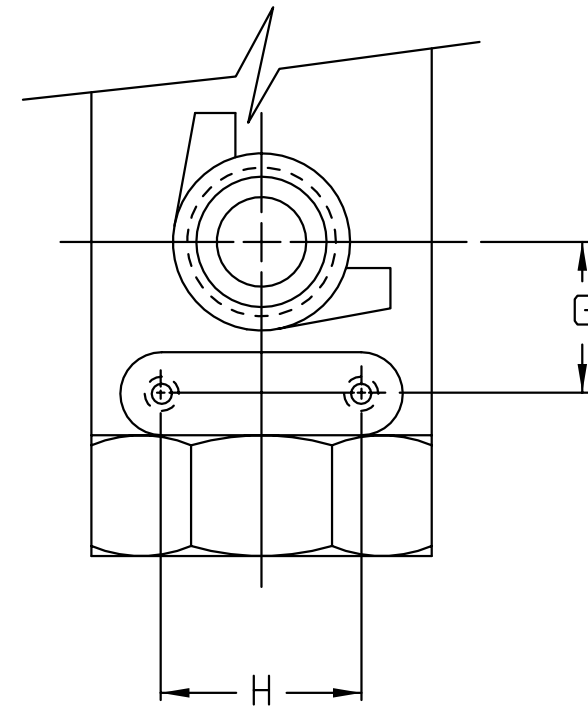
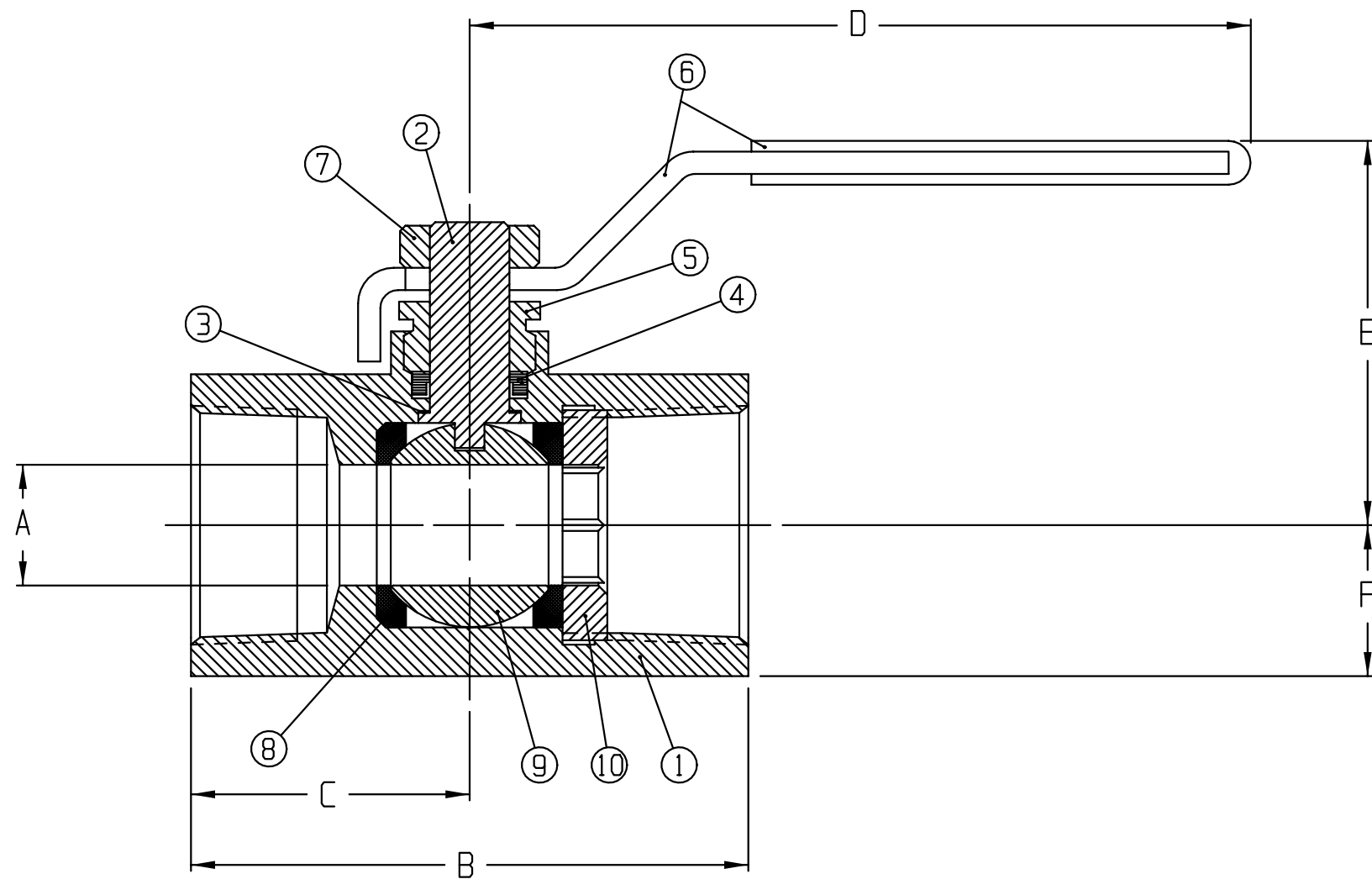


FEDERAL SPECIFICATION; WW-V-35C,
TYPE II
COMPOSITION, CS
STYLE 3

CATALOG NO.	DIMENSIONS						PRESSURE RATING	C _v	WT. LBS.
	A	B	C	D	E	F			
VME3-A90A 1/2	.40	2.19	1.13	3.78	1.63	.53	2000 CWP 150 SWP	7	.5
VME3-A90A 3/4	.54	2.62	1.31	3.78	1.73	.63	2000 CWP 150 SWP	12	.8
VME3-A90A 1	.68	3.12	1.60	5.10	2.08	.81	2000 CWP 150 SWP	25	1.4
VME3-A90A 1 1/4	.88	3.63	1.86	5.10	2.30	1.00	2000 CWP 150 SWP	38	2.4

11	SEAT RETAINER	STEEL C12L14, ZINC PHOS COAT
10	BALL	STAINLESS STEEL, TYPE 316
9	BALL SEAT	REINFORCED PTFE
8	HANDLE COVER	VINYL
8	HANDLE	STEEL, ZINC PLATE
7	NUT	STEEL, ZINC PLATE
6	SPRING WASHER	STEEL, ZINC PLATE
5	FOLLOWER	STAINLESS STEEL, 304
4	STEM SEAL	REINFORCED PTFE
3	THRUSTWASHER	REINFORCED PTFE
2	STEM	STAINLESS STEEL, TYPE 316
1	BODY	STEEL C12L14, ZINC PHOS COAT
ITEM	PART NAME	MATERIAL

UNCONTROLLED DRAWING THIS PRINT IS THE PROPERTY OF DYNAQUIP CONTROLS AND SHALL NOT BE COPIED, REPRODUCED, LOANED, OR DISPOSED OF DIRECTLY OR INDIRECTLY, NOR USED FOR ANY PURPOSE OTHER THAN THAT FOR WHICH IT IS SPECIFICALLY FURNISHED EXCEPT BY WRITTEN PERMISSION OF DYNAQUIP CONTROLS.	NO. VME3-A90A TITLE BALL VALVE - VME SERIES BAR STOCK - NPT THREADS	FILE NO. SUB017	
	DR TAP DATE 04-02-98 CH'KD LJH DATE 01-28-00 ENGR LJH DATE 01-28-00		
			



FEDERAL SPECIFICATION; WW-V-35C,
TYPE II
COMPOSITION, CS
STYLE 3

10	SEAT RETAINER	STEEL C12L14, PHOSPHATE COAT
9	BALL	STAINLESS STEEL, TYPE 316
8	BALL SEAT	REINFORCED PTFE
7	HANDLE NUT	STEEL, ZINC PLATE
6	HANDLE COVER	VINYL
6	HANDLE	STEEL, ZINC PLATE
5	STEM GLAND	STEEL C12L14, ZINC PLT.
4	STEM SEAL	REINFORCED PTFE
3	THRUSTWASHER	REINFORCED PTFE
2	STEM	STAINLESS STEEL, TYPE 316
1	BODY	STEEL ASTM A216 GR. WCB, PHOS. COAT
ITEM	PART NAME	MATERIAL

CATALOG NO.	DIMENSIONS								PRESSURE RATING	C _V	WT. LBS.
	A	B	C	D	E	F	G	H			
VME3-A90A 1 1/2	1.00	4.00	2.00	6.10	2.58	1.13	.94	1.50	1500 CWP 150 SWP	52	3.1
VME3-A90A 2	1.25	4.50	2.25	6.10	2.98	1.38	.94	1.50	1500 CWP 150 SWP	95	5.0

UNCONTROLLED DRAWING THIS PRINT IS THE PROPERTY OF DYNAQUIP CONTROLS AND SHALL NOT BE COPIED, REPRODUCED, LOANED, OR DISPOSED OF DIRECTLY OR INDIRECTLY, NOR USED FOR ANY PURPOSE OTHER THAN THAT FOR WHICH IT IS SPECIFICALLY FURNISHED EXCEPT BY WRITTEN PERMISSION OF DYNAQUIP CONTROLS.	NO.	VME3-A90A				FILE NO.	SUB019	
	TITLE	BALL VALVE - VME SERIES CAST - NPT THREADS						
	DR	DATE	CH'KD	DATE	ENGR	DATE		
MJP	11-07-96	LJH	01-21-00	LJH	01-21-00			
		