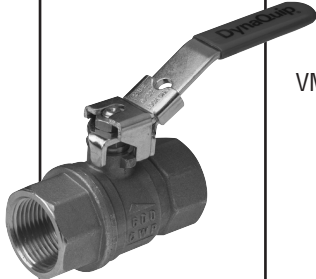




OPTION SUFFIX	HANDLES & DESCRIPTION	VALVE SERIES	SIZES	RETROFIT/REPLACEMENT KITS*
OP	 <p>For padlocking valves in open and closed position. Meets OSHA regulations on lockout.</p>	VME3	1/2", 3/4" 1", 1-1/4" 1-1/2", 2"	143147.01 143148.01 144269.01
OQ	 <p>For safety purposes and ease of use. Work well for reducing space.</p>	VME3	1/2", 3/4" 1", 1-1/4" 1-1/2", 2"	143122.050 143122.100 143122.150
OE	 <p>Compact handles for space and safety.</p>	VME3	1/2", 3/4" 1", 1-1/4"	143095 143096

Note: Use option suffix when ordering valves with option installed. Order retrofit kits for field installation.