

| ASSEMBLY NUMBER | ACTUATOR NUMBER | A | B | C | D | E | F | G |
|-----------------|-----------------|-------|-------|-------|-------|-------|------|------|
| 60F11302E01 | MA7 | 19.67 | 13.00 | 7.87 | 10.04 | 4.00 | 3.25 | 1.75 |
| 60F11325E01 | MA7 | 20.67 | 13.00 | 7.87 | 10.04 | 4.75 | 3.75 | 1.88 |
| 60F11303E01 | MA7 | 21.17 | 13.00 | 7.87 | 10.04 | 5.13 | 4.00 | 1.88 |
| 60F11304E01 | MA7 | 22.79 | 13.00 | 7.87 | 10.04 | 6.75 | 4.88 | 2.13 |
| 60F11305E01 | MA7 | 23.79 | 13.00 | 7.87 | 10.04 | 7.75 | 5.38 | 2.25 |
| 60F11306E02 | MA13 | 24.79 | 13.00 | 7.87 | 10.04 | 8.63 | 5.88 | 2.25 |
| 60F11308E03 | MA35 | 29.78 | 14.96 | 11.81 | 12.40 | 10.56 | 7.13 | 2.50 |
| 60F11310E03 | MA35 | 32.15 | 14.96 | 11.81 | 12.40 | 13.06 | 8.25 | 2.75 |
| 60F11312E04 | MA44 | 35.40 | 14.96 | 11.81 | 12.40 | 16.00 | 9.75 | 3.13 |
| | | | | | | | | |

BUTTERFLY VALVE
SERIES 600169700

BODY: CAST IRON WAFER STYLE
DISC: NICKEL PLATED DUCTILE IRON
STEM : TYPE 416 STAINLESS STEEL
SEAT: BLACK NITRILE (SANITARY BUNA N)

MA SERIES ELECTRIC ACTUATOR
120 VAC 60 HZ
2 EXTRA LIMIT SWITCHES

UNCONTROLLED
DRAWING

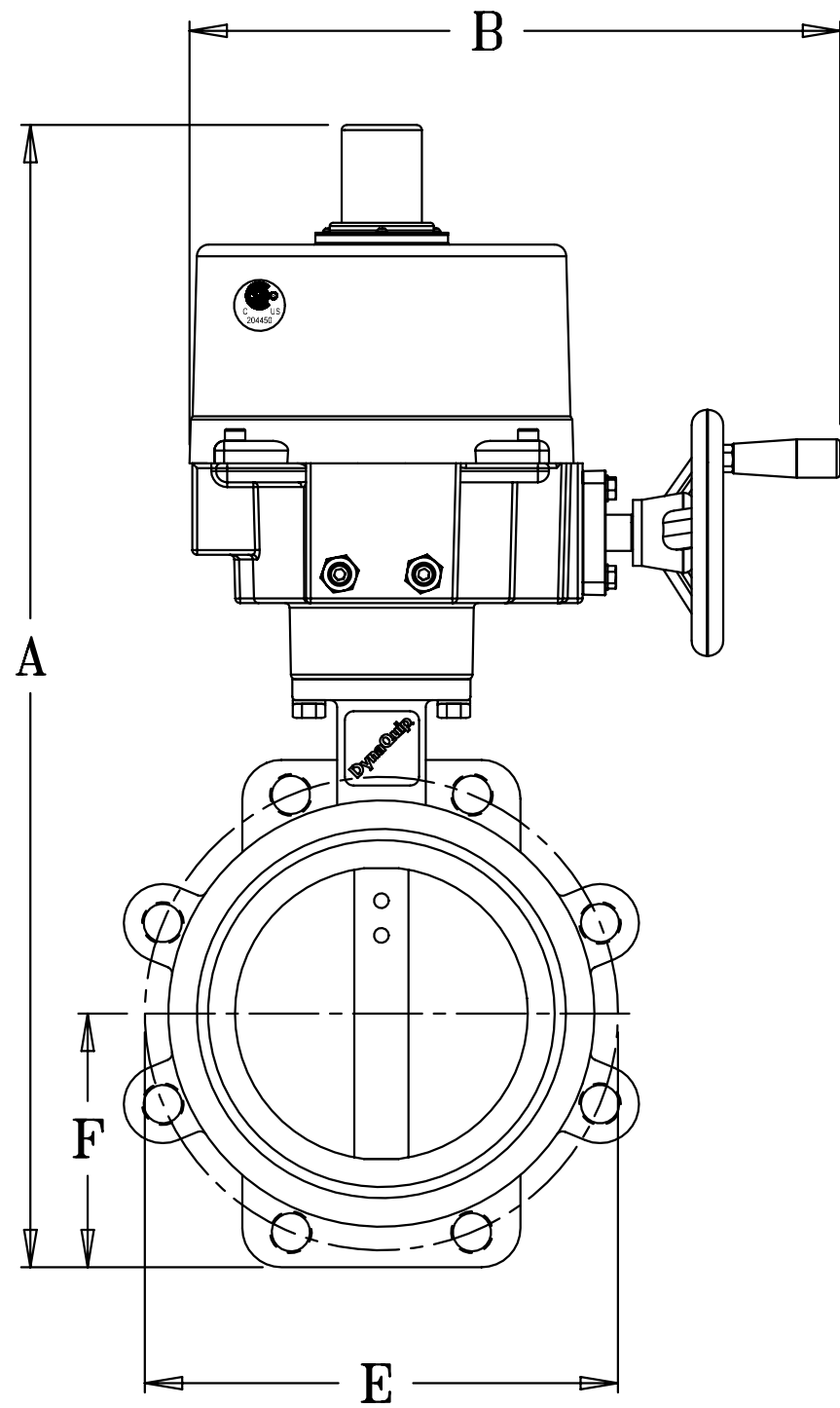
THIS PRINT IS THE PROPERTY OF DYNAQUIP CONTROLS AND SHALL NOT BE COPIED, REPRODUCED, LOANED, OR DISPOSED OF DIRECTLY OR INDIRECTLY, NOR USED FOR ANY PURPOSE OTHER THAN THAT FOR WHICH IT IS SPECIFICALLY FURNISHED EXCEPT BY WRITTEN PERMISSION OF DYNAQUIP CONTROLS.

NO. 600 - ACT MA FILE NO. SUB131

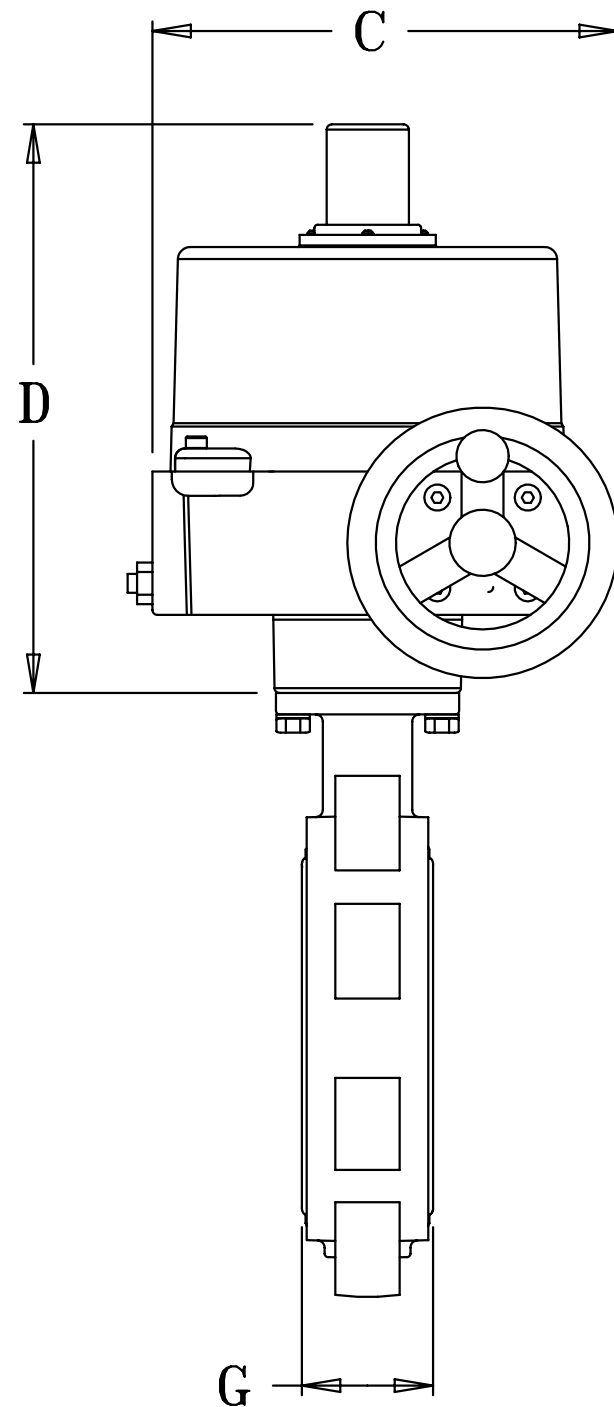
TITLE BUTTERFLY VALVE
600 WAFER SERIES
ELECTRIC ACTUATOR

| DR | DATE | CH'KD | DATE | ENGR | DATE |
|-----|-----------|-------|----------|------|----------|
| LJH | 04-12-004 | LJH | 04-15-04 | LJH | 04-15-04 |





BUTTERFLY VALVE
 SERIES 600169700
 BODY: CAST IRON WAFER STYLE
 DISC: NICKEL PLATED DUCTILE IRON
 STEM : TYPE 416 STAINLESS STEEL
 SEAT: BLACK NITRILE (SANITARY BLUNA N)



MA SERIES ELECTRIC ACTUATOR
 120 VAC 60 HZ
 2 EXTRA LIMIT SWITCHES

| ASSEMBLY NUMBER | ACTUATOR NUMBER | A | B | C | D | E | F | G |
|-----------------|-----------------|-------|-------|-------|-------|-------|------|------|
| 62F61302E01 | MA7 | 19.67 | 13.00 | 7.87 | 10.04 | 4.75 | 3.25 | 1.75 |
| 62F61325E01 | MA7 | 20.67 | 13.00 | 7.87 | 10.04 | 5.50 | 3.75 | 1.88 |
| 62F61303E01 | MA7 | 21.17 | 13.00 | 7.87 | 10.04 | 6.00 | 4.00 | 1.88 |
| 62F61304E01 | MA7 | 22.79 | 13.00 | 7.87 | 10.04 | 7.50 | 4.88 | 2.13 |
| 62F61305E01 | MA7 | 23.79 | 13.00 | 7.87 | 10.04 | 8.50 | 5.38 | 2.25 |
| 62F61306E02 | MA13 | 24.79 | 13.00 | 7.87 | 10.04 | 9.50 | 5.88 | 2.25 |
| 62F61308E03 | MA35 | 29.78 | 14.96 | 11.81 | 12.40 | 11.75 | 7.13 | 2.50 |
| 62F61310E03 | MA35 | 32.15 | 14.96 | 11.81 | 12.40 | 14.25 | 8.25 | 2.75 |
| 62F61312E04 | MA44 | 35.40 | 14.96 | 11.81 | 12.40 | 17.00 | 9.75 | 3.13 |
| | | | | | | | | |

UNCONTROLLED
 DRAWING

THIS PRINT IS THE PROPERTY OF DYNAQUIP CONTROLS AND SHALL NOT BE COPIED, REPRODUCED, LOANED, OR DISPOSED OF DIRECTLY OR INDIRECTLY, NOR USED FOR ANY PURPOSE OTHER THAN THAT FOR WHICH IT IS SPECIFICALLY FURNISHED EXCEPT BY WRITTEN PERMISSION OF DYNAQUIP CONTROLS.

NO. 622 - ACT MA FILE NO. SUB134

TITLE
 BUTTERFLY VALVE
 622 WAFER SERIES
 ELECTRIC ACTUATOR

| DR | DATE | CH'KD | DATE | ENGR | DATE |
|-----|-----------|-------|----------|------|----------|
| LJH | 04-12-004 | LJH | 04-15-04 | LJH | 04-15-04 |

