

ASSEMBLY NUMBER	ACTUATOR NUMBER	A	B	C	D	E	F	G
60F11302D32	APU52DA	14.47	3.27	6.38	4.84	4.00	3.25	1.75
60F11325D32	APU52DA	15.47	3.27	6.38	4.84	4.75	3.75	1.88
60F11303D32	APU52DA	15.97	3.27	6.38	4.84	5.13	4.00	1.88
60F11304D33	APU73DA	17.70	3.58	7.20	4.95	6.75	4.88	2.13
60F11305D33	APU73DA	18.70	3.58	7.20	4.95	7.75	5.38	2.25
60F11306D34	APU103DA	20.30	3.94	8.30	5.55	8.63	5.88	2.25
60F11308D36	APU222DA	24.09	4.72	11.52	6.71	10.56	7.13	2.50
60F11310D37	APU295DA	27.26	5.39	11.75	7.51	13.06	8.25	2.75
60F11312D38	APU470DA	32.70	6.77	13.27	9.70	16.00	9.75	3.13

BUTTERFLY VALVE
SERIES 600169700

BODY: CAST IRON WAFER STYLE
DISC: NICKEL PLATED DUCTILE IRON
STEM : TYPE 416 STAINLESS STEEL
SEAT: BLACK NITRILE (SANITARY Buna N)

ACTUATOR OPERATION - 80 PSIG CLEAN LUBRICATED AIR
MAXIMUM 150 PSIG

**UNCONTROLLED
DRAWING**

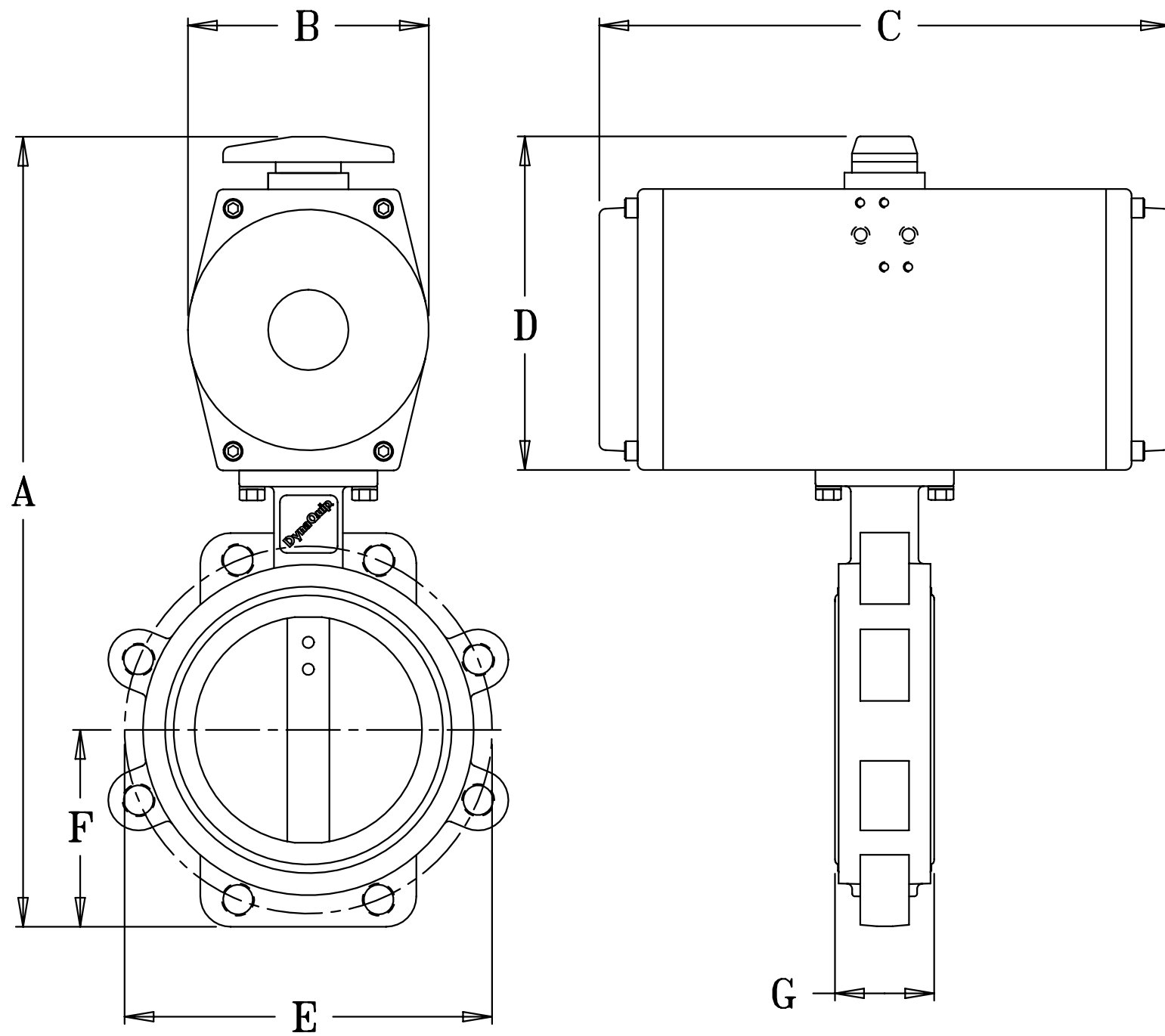
THIS PRINT IS THE PROPERTY OF DYNAQUIP CONTROLS AND SHALL NOT BE COPIED, REPRODUCED, LOANED, OR DISPOSED OF DIRECTLY OR INDIRECTLY, NOR USED FOR ANY PURPOSE OTHER THAN THAT FOR WHICH IT IS SPECIFICALLY FURNISHED EXCEPT BY WRITTEN PERMISSION OF DYNAQUIP CONTROLS.

NO. 600 - ACT AP/DA FILE NO. SUB129

TITLE
BUTTERFLY VALVE
600 WAFER SERIES
PNEUMATIC DA ACTUATOR

DR	DATE	CH'KD	DATE	ENGR	DATE
LJH	04-13-04	LJH	04-15-04	LJH	04-15-04





ASSEMBLY NUMBER	ACTUATOR NUMBER	A	B	C	D	E	F	G
62F61302D32	APU52DA	14.47	3.27	6.38	4.84	4.75	3.25	1.75
62F61325D32	APU52DA	15.47	3.27	6.38	4.84	5.50	3.75	1.88
62F61303D32	APU52DA	15.97	3.27	6.38	4.84	6.00	4.00	1.88
62F61304D33	APU73DA	17.70	3.58	7.20	4.95	7.50	4.88	2.13
62F61305D33	APU73DA	18.70	3.58	7.20	4.95	8.50	5.38	2.25
62F61306D34	APU103DA	20.30	3.94	8.30	5.55	9.50	5.88	2.25
62F61308D36	APU222DA	24.09	4.72	11.52	6.71	11.75	7.13	2.50
62F61310D37	APU295DA	27.26	5.39	11.75	7.51	14.25	8.25	2.75
62F61312D38	APU470DA	32.70	6.77	13.27	9.70	17.00	9.75	3.13

BUTTERFLY VALVE
SERIES 622182700

BODY: DUCTILE IRON LUG STYLE
DISC: NICKEL PLATED DUCTILE IRON
STEM : TYPE 416 STAINLESS STEEL
SEAT: BLACK NITRILE (SANITARY BUNA N)

ACTUATOR OPERATION - 80 PSIG CLEAN LUBRICATED AIR
MAXIMUM 150 PSIG

UNCONTROLLED
DRAWING

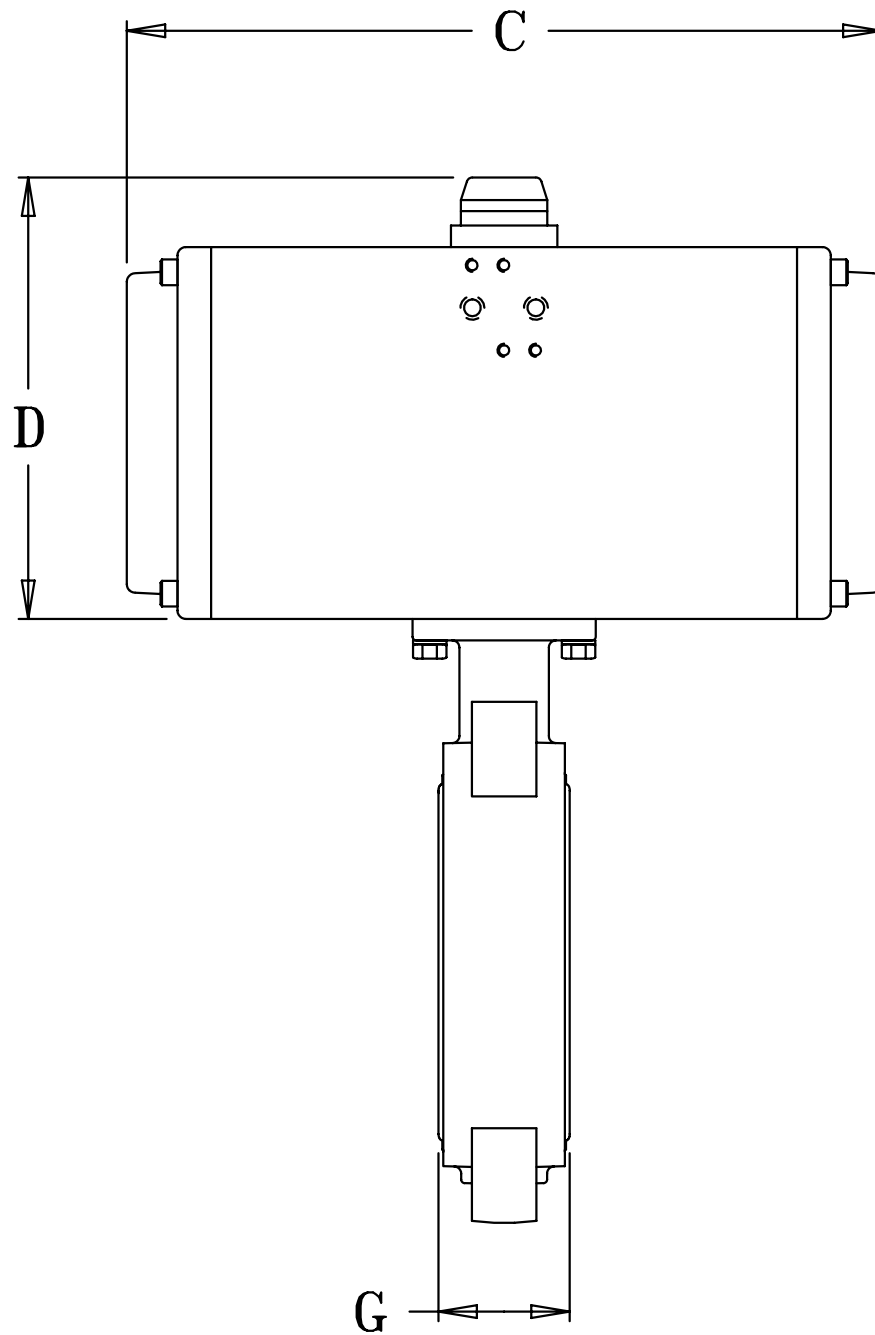
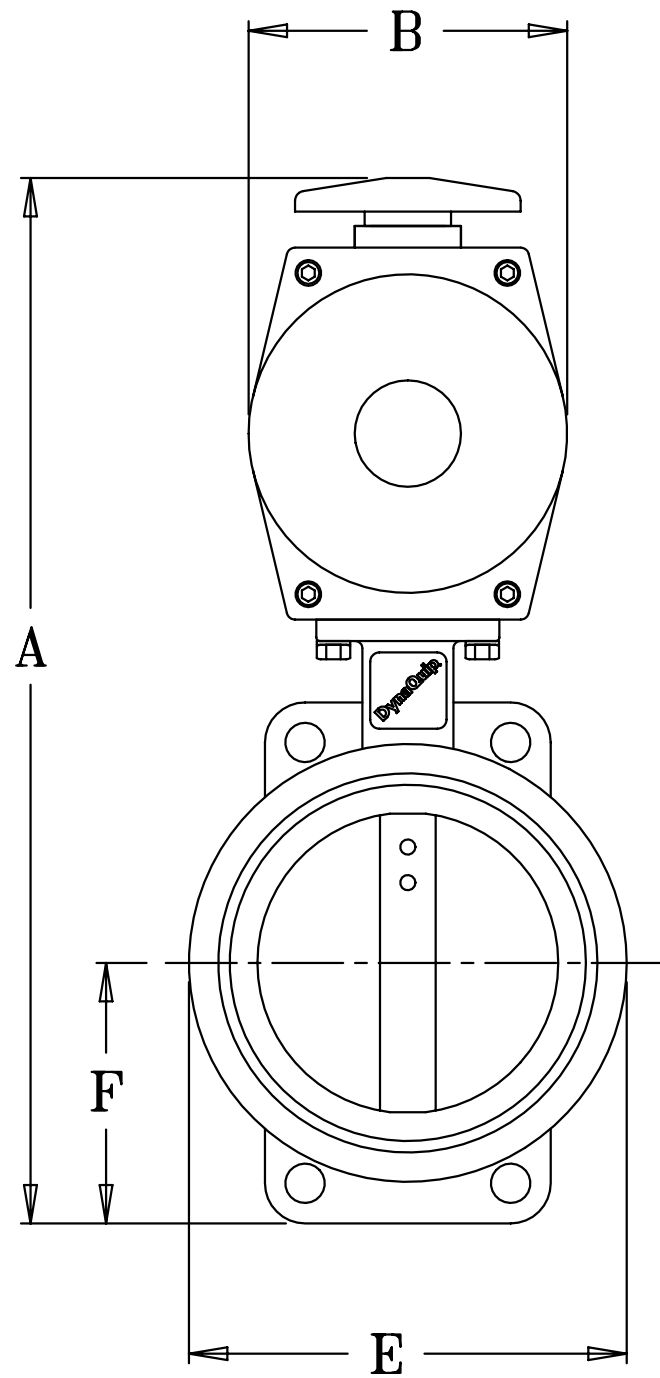
THIS PRINT IS THE PROPERTY OF DYNAQUIP CONTROLS AND SHALL NOT BE COPIED, REPRODUCED, LOANED, OR DISPOSED OF DIRECTLY OR INDIRECTLY, NOR USED FOR ANY PURPOSE OTHER THAN THAT FOR WHICH IT IS SPECIFICALLY FURNISHED EXCEPT BY WRITTEN PERMISSION OF DYNAQUIP CONTROLS.

NO. 622 - ACT AP/DA FILE NO. SUB132

TITLE
BUTTERFLY VALVE
622 LUG SERIES
PNEUMATIC DA ACTUATOR

DR	DATE	CH'KD	DATE	ENGR	DATE
LJH	04-13-04	LJH	04-15-04	LJH	04-15-04





ASSEMBLY NUMBER	ACTUATOR NUMBER	A	B	C	D	E	F	G
60F11302S324	APU52SR4	14.47	3.27	6.38	4.84	4.00	3.25	1.75
60F11325S324	APU52SR4	15.47	3.27	6.38	4.84	4.75	3.75	1.88
60F11303S064	AP73SR4	16.08	3.58	7.20	4.95	5.13	4.00	1.88
60F11304S345	APU103SR5	18.30	3.94	8.30	5.55	6.75	4.88	2.13
60F11305S085	AP148SR5	20.20	4.72	8.77	6.45	7.75	5.38	2.25
60F11306S095	AP222SR5	21.46	4.72	11.52	6.71	8.63	5.88	2.25
60F11308S385	APU470SR5	27.08	6.77	13.27	9.70	10.56	7.13	2.50
60F11310S395	APU586SR5	29.45	6.77	14.49	9.70	13.06	8.25	2.75
60F11312S405	APU900SR5	34.77	8.82	16.62	11.77	16.00	9.75	3.13

BUTTERFLY VALVE
 SERIES 600169700
 BODY: CAST IRON WAFER STYLE
 DISC: NICKEL PLATED DUCTILE IRON
 STEM : TYPE 416 STAINLESS STEEL
 SEAT: BLACK NITRILE (SANITARY BUNA N)

ACTUATOR OPERATION - 80 PSIG CLEAN LUBRICATED AIR
 MAXIMUM 150 PSIG

**UNCONTROLLED
 DRAWING**

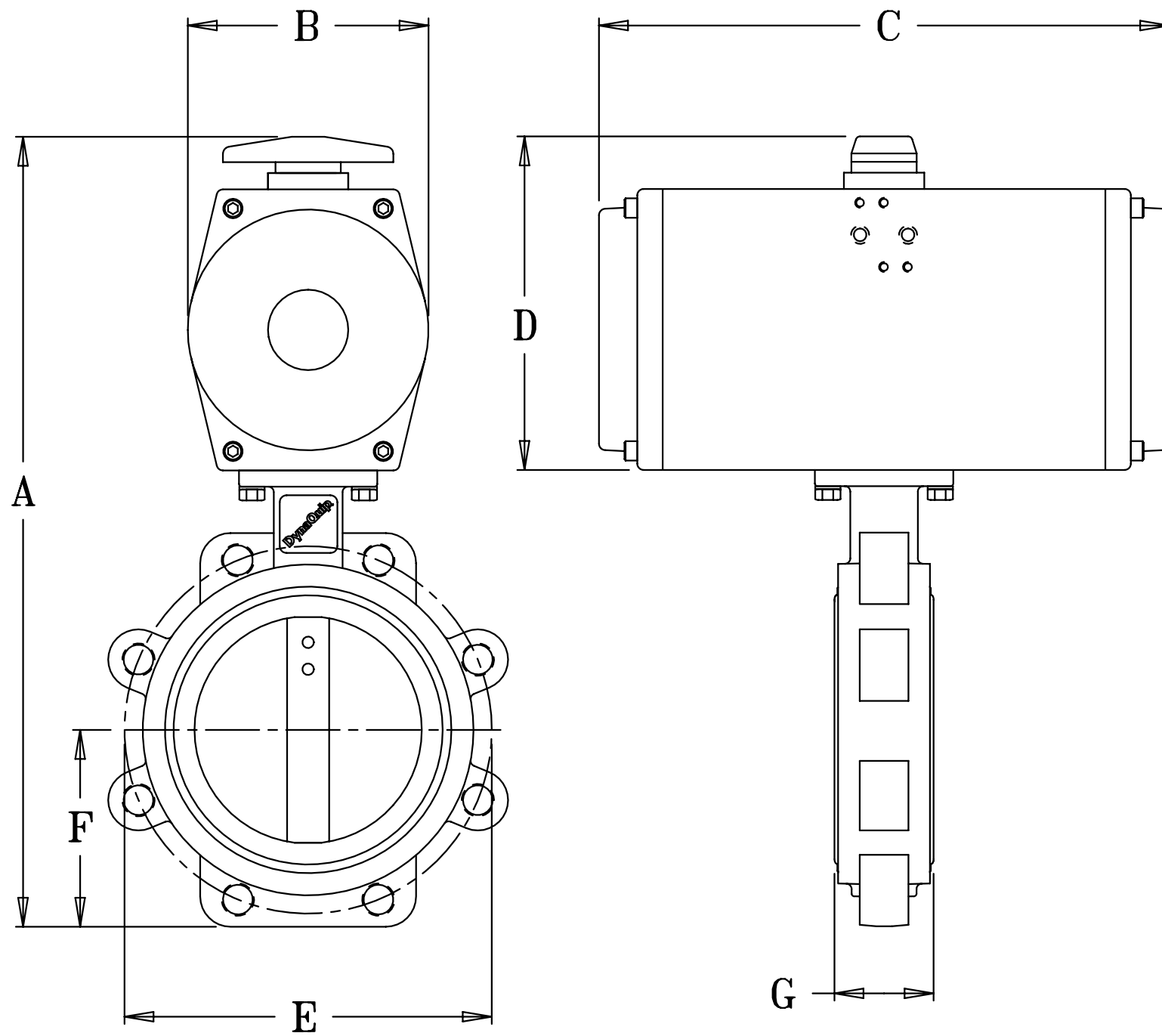
THIS PRINT IS THE PROPERTY OF DYNAQUIP CONTROLS AND SHALL NOT BE COPIED, REPRODUCED, LOANED, OR DISPOSED OF DIRECTLY OR INDIRECTLY, NOR USED FOR ANY PURPOSE OTHER THAN THAT FOR WHICH IT IS SPECIFICALLY FURNISHED EXCEPT BY WRITTEN PERMISSION OF DYNAQUIP CONTROLS.

NO. 600 - ACT AP/SR FILE NO. SUB130

TITLE
 BUTTERFLY VALVE
 600 WAFER SERIES
 PNEUMATIC SR ACTUATOR

DR	DATE	CH'KD	DATE	ENGR	DATE
LJH	04-13-04	LJH	04-15-04	LJH	04-15-04





ASSEMBLY NUMBER	ACTUATOR NUMBER	A	B	C	D	E	F	G
62F61302S324	APU52SR4	14.47	3.27	6.38	4.84	4.75	3.25	1.75
62F61325S324	APU52SR4	15.47	3.27	6.38	4.84	4.75	3.75	1.88
62F61303S064	AP73SR4	16.08	3.58	7.20	4.95	5.13	4.00	1.88
62F61304S345	APU103SR5	18.30	3.94	8.30	5.55	6.75	4.88	2.13
62F61305S085	AP148SR5	20.20	4.72	8.77	6.45	7.75	5.38	2.25
62F61306S095	AP222SR5	21.46	4.72	11.52	6.71	8.63	5.88	2.25
62F61308S385	APU470SR5	27.08	6.77	13.27	9.70	10.56	7.13	2.50
62F61310S395	APU586SR5	29.45	6.77	14.49	9.70	13.06	8.25	2.75
62F61312S405	APU900SR5	34.77	8.82	16.62	11.77	16.00	9.75	3.13

BUTTERFLY VALVE
SERIES 622182700

BODY: DUCTILE IRON LUG STYLE
DISC: NICKEL PLATED DUCTILE IRON
STEM : TYPE 416 STAINLESS STEEL
SEAT: BLACK NITRILE (SANITARY Buna N)

ACTUATOR OPERATION - 80 PSIG CLEAN LUBRICATED AIR
MAXIMUM 150 PSIG

**UNCONTROLLED
DRAWING**

THIS PRINT IS THE PROPERTY
OF DYNAQUIP CONTROLS AND
SHALL NOT BE COPIED,
REPRODUCED, LOANED,
OR DISPOSED OF DIRECTLY
OR INDIRECTLY, NOR USED
FOR ANY PURPOSE OTHER THAN
THAT FOR WHICH IT IS
SPECIFICALLY FURNISHED
EXCEPT BY WRITTEN
PERMISSION OF
DYNAQUIP CONTROLS.

NO. 622 - ACT AP/SR FILE NO.
SUB133

TITLE
BUTTERFLY VALVE
622 SERIES
PNEUMATIC SR ACTUATOR

DR	DATE	CH'KD	DATE	ENGR	DATE
LJH	04-13-04	LJH	04-15-04	LJH	04-15-04

**DynaQuip
Controls**