

THREADS "NPT"  
SIZE AS NOTED

**VALVE DATA**

BODY/END CAP	FORGED BRASS
STEM	NICKEL PLATED BRASS (2" STAINLESS STEEL)
BALL	CHROME PLATED BRASS
SEATS	RTFE
THRUSTWASHER	RTFE
STEM SEAL	VITON ORINGS

		MODEL							
		189013B.2	189014B.2	189015B.4	189016B.4	189017B.4	189018B.4	189020B.5	189021B.4
ACTUATOR		AP10SR2	AP10SR2	AP20SR4	AP30SR4	AP52SR4	AP73SR4	AP73SR5	AP222SR4
SIZE		1/2 NPT	3/4 NPT	1 NPT	1 1/4 NPT	1 1/2 NPT	2 NPT	3 NPT	4 NPT
A		2.60	2.93	3.56	4.09	4.60	5.31	6.89	8.86
B		1.34	1.72	2.06	2.56	3.12	3.77	5.31	6.53
C		.59	.79	.98	1.26	1.57	1.97	3.00	4.00
D		1.89	2.36	2.72	3.47	4.00	4.58	5.79	7.13
E		5.39	5.86	6.54	7.84	8.84	9.53	10.74	13.84
F		4.65	4.65	5.26	5.53	6.38	7.20	7.20	11.52
G		2.55	2.55	2.82	3.26	3.77	4.08	4.08	4.72
H		2.60	2.60	2.91	3.46	3.94	4.25	4.25	5.51
MAX. ΔPSI		300 CWP	300 CWP	300 CWP	300 CWP	300 CWP	300 CWP	300 CWP	300 CWP
WT. LBS		1.77	2.14	3.95	6.39	9.38	18.18	20.01	34.30

**UNCONTROLLED DRAWING**

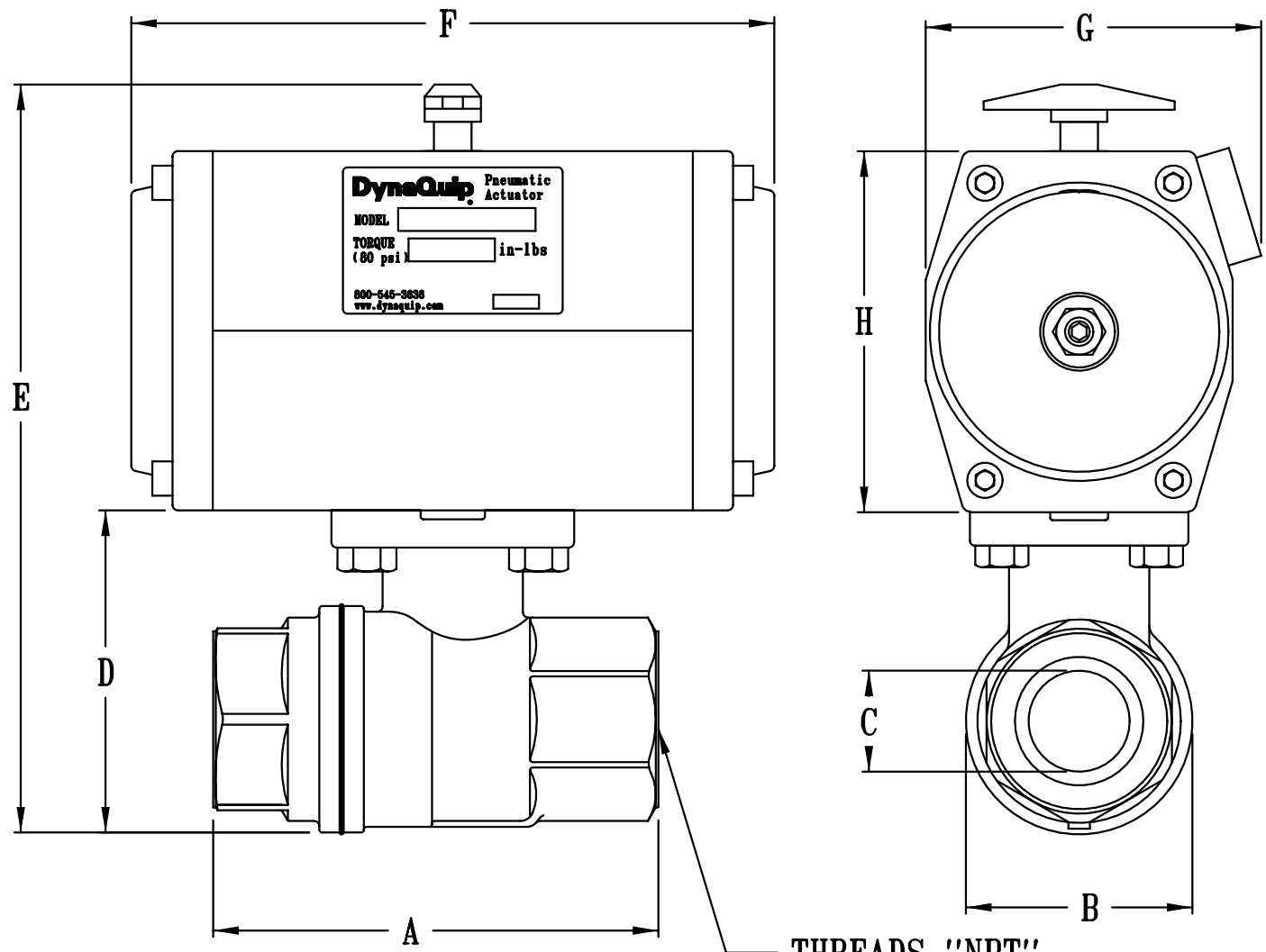
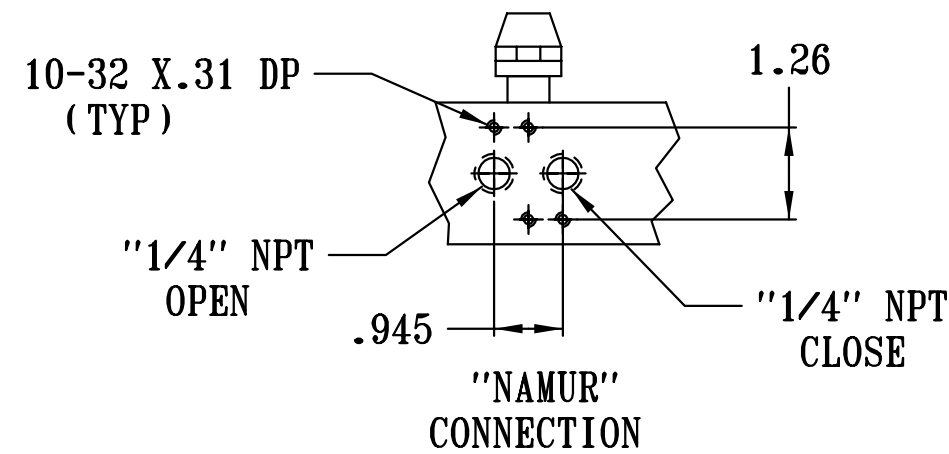
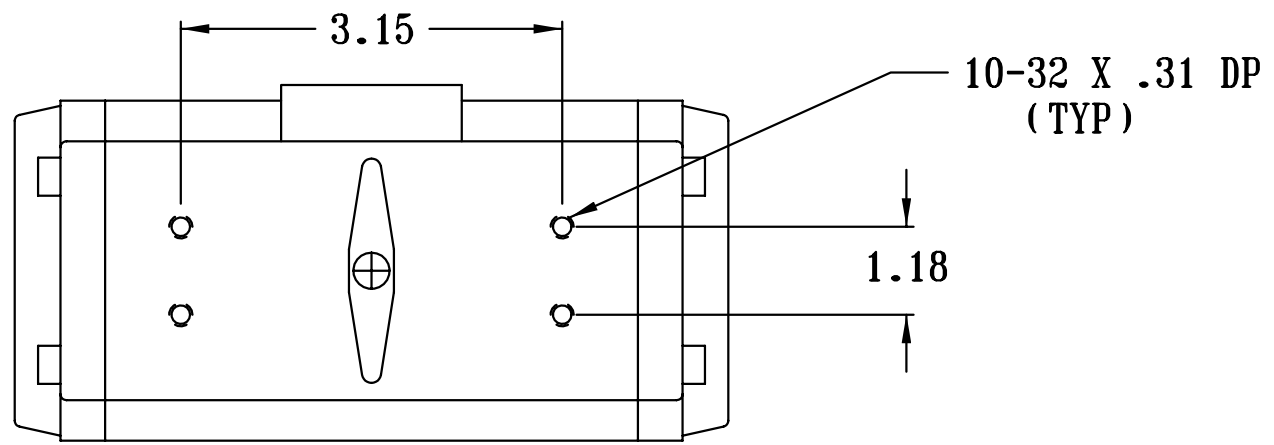
THIS PRINT IS THE PROPERTY OF DYNAQUIP CONTROLS AND SHALL NOT BE COPIED, REPRODUCED, LOANED, OR DISPOSED OF DIRECTLY OR INDIRECTLY, NOR USED FOR ANY PURPOSE OTHER THAN THAT FOR WHICH IT IS SPECIFICALLY FURNISHED EXCEPT BY WRITTEN PERMISSION OF DYNAQUIP CONTROLS. BV-UT

**NO. 189 SERIES W/SR** **FILE NO. SUB125**

**TITLE**  
VALVE ASM - BR - FULL PORT - NPT WITH "AP" SPRING RETURN ACTUATOR

DR	DATE	CH'KD	DATE	ENGR	DATE
SSD	12-04-03	LJH	09-19-03	LJH	09-19-03





		MODEL							
		189003B	189004B	189005B	189006B	189007B	189008B	189010B	189011B
ACTUATOR		AP10DA	AP10DA	AP20DA	AP20DA	AP30DA	AP30DA	AP52DA	AP103DA
SIZE		1/2 NPT	3/4 NPT	1 NPT	1 1/4 NPT	1 1/2 NPT	2 NPT	3 NPT	4 NPT
A		2.60	2.93	3.56	4.09	4.60	5.31	6.89	8.86
B		1.34	1.72	2.06	2.56	3.12	3.77	5.31	6.53
C		.59	.79	.98	1.26	1.57	1.97	3.00	4.00
D		1.89	2.36	2.72	3.47	4.00	4.58	5.79	7.13
E		5.39	5.86	6.54	7.29	8.37	8.95	10.63	12.68
F		4.65	4.65	5.26	5.26	5.53	5.53	6.38	8.30
G		2.55	2.55	2.82	2.82	3.26	3.26	3.77	4.44
H		2.60	2.60	2.91	2.91	3.46	3.46	3.94	4.61
MAX. ΔPSI		300 CWP	300 CWP	300 CWP	300 CWP	300 CWP	300 CWP	300 CWP	300 CWP
WT. LBS		1.70	2.01	3.81	4.94	7.47	10.21	18.28	24.37

**VALVE DATA**

BODY/END CAP	FORGED BRASS
STEM	NICKEL PLATED BRASS (2" STAINLESS STEEL)
BALL	CHROME PLATED BRASS
SEATS	RTFE
THRUSTWASHER	RTFE
STEM SEAL	VITON ORINGS

THREADS "NPT" SIZE AS NOTED

**UNCONTROLLED DRAWING**

THIS PRINT IS THE PROPERTY OF DYNAQUIP CONTROLS AND SHALL NOT BE COPIED, REPRODUCED, LOANED, OR DISPOSED OF DIRECTLY OR INDIRECTLY, NOR USED FOR ANY PURPOSE OTHER THAN THAT FOR WHICH IT IS SPECIFICALLY FURNISHED EXCEPT BY WRITTEN PERMISSION OF DYNAQUIP CONTROLS. BV-LT

NO. 189 SERIES W/DA FILE NO. SUB124

TITLE VALVE ASM - BR - FULL PORT - NPT WITH "AP" DOUBLE ACTING ACTUATOR

DR	DATE	CH'KD	DATE	ENGR	DATE
SSD	11-20-03	LJH	09-19-03	LJH	09-19-03

