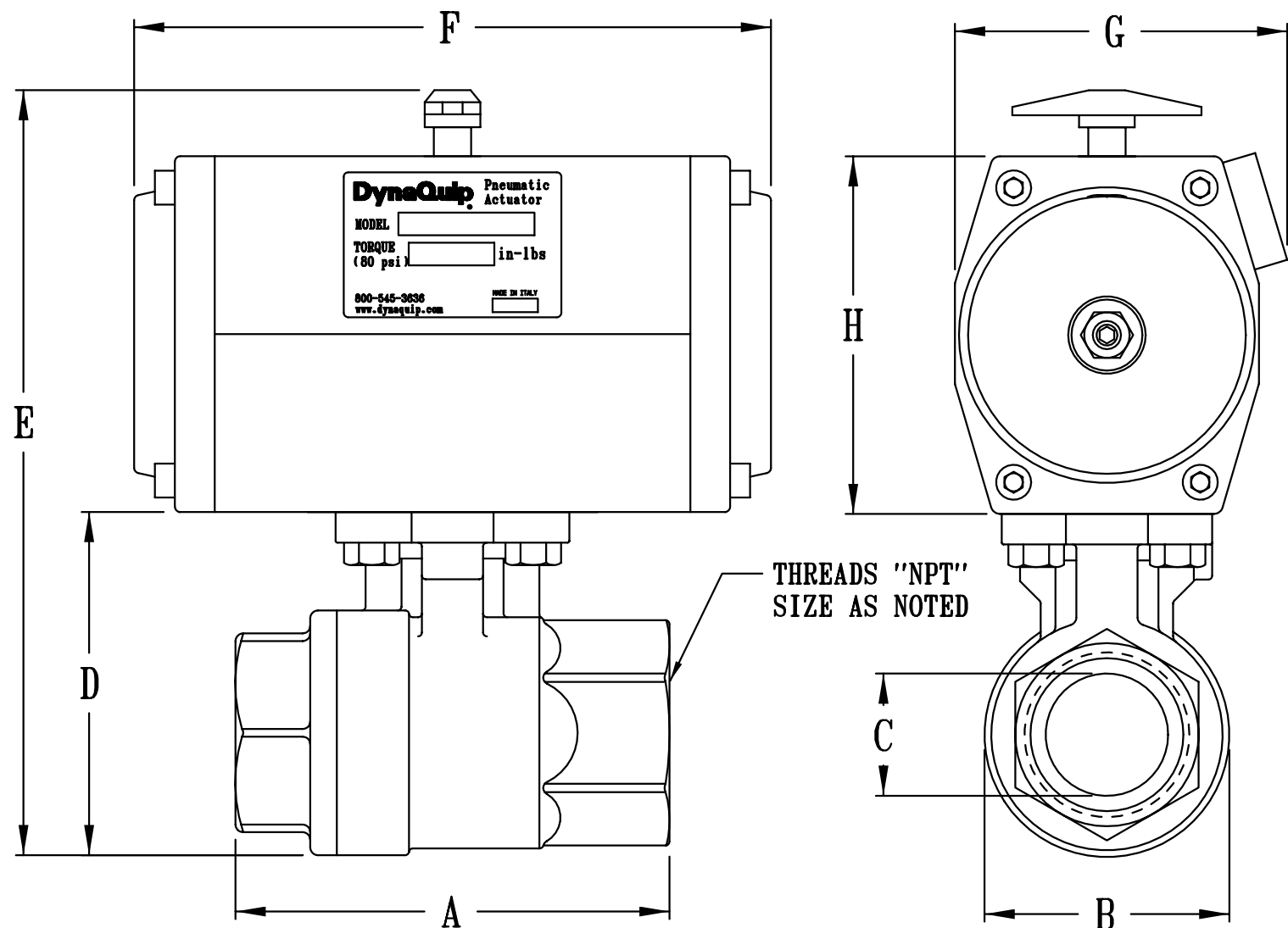


"NAMUR"  
CONNECTION



	MODEL						
	191031B.2	191033B.3	191034B.4	191035B.4	191037B.4	191038B.5	191062B.5
ACTUATOR	AP10SR2	AP20SR3	AP30SR4	AP30SR4	AP73SR4	AP103SR5	AP295SR5
SIZE	1/4 NPT	1/2 NPT	3/4 NPT	1 NPT	1 1/2 NPT	2 NPT	3 NPT
A	1.97	2.95	3.15	3.54	4.75	5.51	7.56
B	1.32	1.38	1.78	2.01	2.95	3.77	5.50
C	.45	.59	.79	.98	1.50	1.97	3.14
D	1.96	2.06	2.51	2.75	3.63	4.50	6.77
E	5.46	5.87	6.88	7.12	8.58	10.05	14.28
F	4.65	5.26	5.53	5.53	7.20	8.30	11.75
G	2.55	2.82	3.26	3.26	4.08	4.44	5.39
H	2.60	2.91	3.46	3.46	4.25	4.61	6.30
MAX. ΔPSI	500 CWP	500 CWP	500 CWP	500 CWP	300 CWP	300 CWP	300 CWP
WT. LBS	1.62	2.88	4.83	5.30	10.41	15.60	41.40

VALVE DATA

BODY/END CAP	STAINLESS STEEL - 316
STEM	STAINLESS STEEL - 316
BALL	STAINLESS STEEL - 316
SEATS	RTFE
THRUSTWASHER	PTFE
STEM SEAL	PTFE/VITON O-RINGS

UNCONTROLLED  
DRAWING

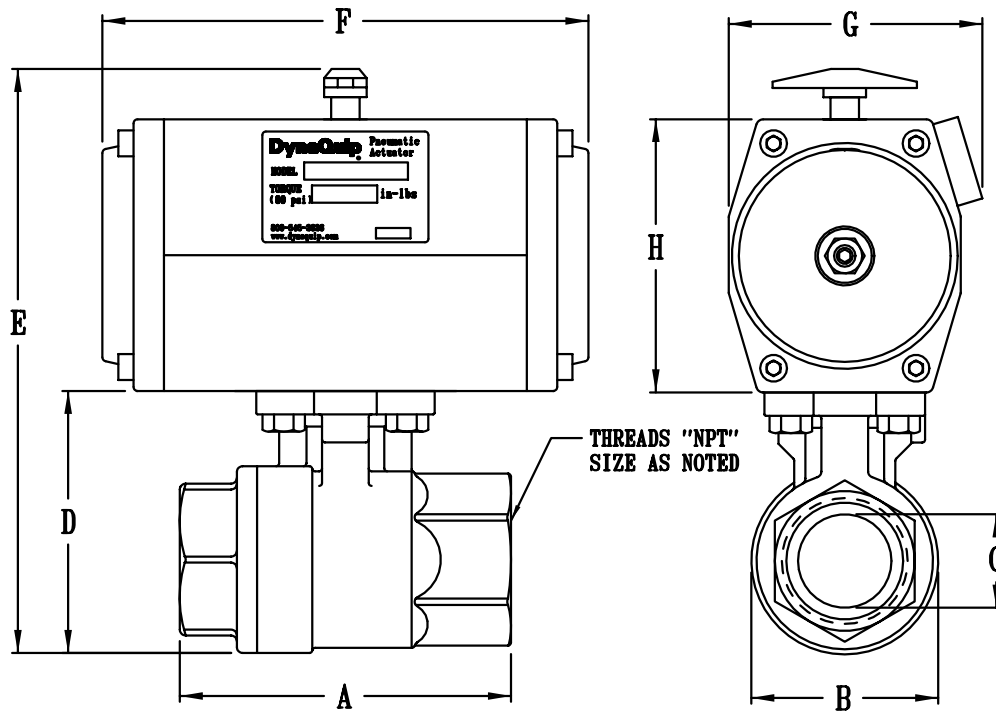
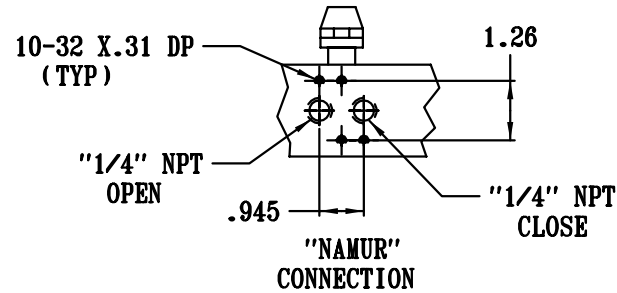
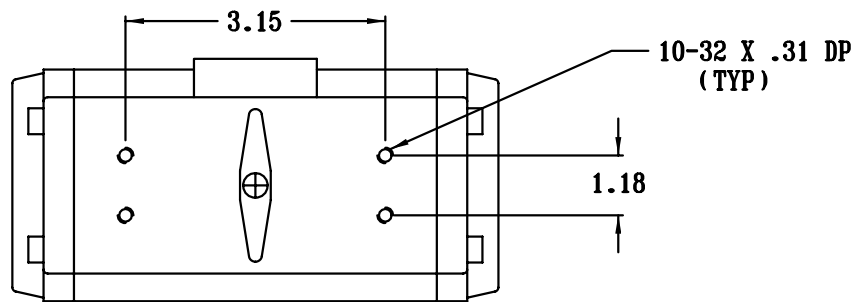
THIS PRINT IS THE PROPERTY OF DYNAQUIP CONTROLS AND SHALL NOT BE COPIED, REPRODUCED, LOANED, OR DISPOSED OF DIRECTLY OR INDIRECTLY, NOR USED FOR ANY PURPOSE OTHER THAN THAT FOR WHICH IT IS SPECIFICALLY FURNISHED EXCEPT BY WRITTEN PERMISSION OF DYNAQUIP CONTROLS. RV-UT IV-UT-3"

NO. 191 SERIES W/SR FILE NO. SUB120

TITLE  
VALVE ASM - SS - FULL PORT - NPT WITH "AP" SPRING RETURN ACTUATOR

DR	DATE	CH'KD	DATE	ENGR	DATE
SSD	11-19-03	LJH	09-22-03	LJH	09-22-03





THREADS "NPT"  
SIZE AS NOTED

**VALVE DATA**

BODY/END CAP	STAINLESS STEEL - 316
STEM	STAINLESS STEEL - 316
BALL	STAINLESS STEEL - 316
SEATS	PTFE
THRUSTWASHER	PTFE
STEM SEAL	PTFE/VITON O-RINGS

		MODEL						
		191021B	191023B	191024B	191025B	191027B	191028B	191059B
ACTUATOR		AP10DA	AP10DA	AP20DA	AP20DA	AP30DA	AP73DA	AP148DA
SIZE		1/4 NPT	1/2 NPT	3/4 NPT	1 NPT	1 1/2 NPT	2 NPT	3 NPT
A		1.97	2.95	3.15	3.54	4.75	5.51	7.56
B		1.32	1.38	1.78	2.01	2.95	3.77	5.50
C		.45	.59	.79	.98	1.50	1.97	3.14
D		1.96	2.06	2.51	2.75	3.63	4.50	6.77
E		5.46	5.56	6.33	6.57	8.00	9.45	13.22
F		4.65	4.65	5.26	5.26	5.53	7.20	8.77
G		2.55	2.55	2.82	2.82	3.26	4.08	4.72
H		2.60	2.60	2.91	2.91	3.46	4.25	5.51
MAX. ΔPSI		500 CWP	500 CWP	500 CWP	500 CWP	300 CWP	300 CWP	300 CWP
WT. LBS		1.55	1.77	3.38	3.85	7.45	13.78	35.2

**UNCONTROLLED DRAWING**

THIS PRINT IS THE PROPERTY OF DYNAQUIP CONTROLS AND SHALL NOT BE COPIED, REPRODUCED, LOANED, OR DISPOSED OF DIRECTLY OR INDIRECTLY, NOR USED FOR ANY PURPOSE OTHER THAN THAT FOR WHICH IT IS SPECIFICALLY FURNISHED EXCEPT BY WRITTEN PERMISSION OF DYNAQUIP CONTROLS. RV-UT IV-UT-3'

NO. 191 SERIES W/DA FILE NO. SUB119

TITLE VALVE ASM - SS - FULL PORT - NPT WITH "AP" DOUBLE ACTING ACTUATOR

DR	DATE	CHK'D	DATE	ENGR	DATE
SSD	10-17-03	LJH	09-22-03	LJH	09-22-03

