

High torque output in an ultra-compact design



Electric Actuator for Quarter-Turn Applications

The DE Series Electric Actuators are available in AC and DC voltages. With output torques from 150 to 300 inch-pounds they are some of the most compact, high-output designs available anywhere.

Key Features of the DE Series:

- 50% duty-rated long life reversing motors
 - Thermal overload protection
 - Two (2) limit switches for motor control and remote indication of end of travel
- NEMA 4 and 4X weatherproof and corrosion-resistant housing and cover
 - Durable die cast aluminum housing
 - Corrosion-resistant epoxy polyurethane coating and stainless-steel fasteners
- Wire in parallel
- ISO 5211 shaft and mounting dimensions
- Can be mounted in any position or orientation
- Local position indication
- Heavy duty heat-treated pinion gearing – lubricated for life
- Type 316 stainless steel output shaft

The DynaQuip Difference

For seven decades DynaQuip® has provided superior products and customer service. We offer flexible and innovative solutions for unique customer needs. Our products are assembled, tested, and stored at our St. Clair, Missouri headquarters enabling us to offer quality assurance and industry-best lead times.

- Industry-best lead times
- Personal customer service
- Superior quality products
- Flexible, innovative solutions

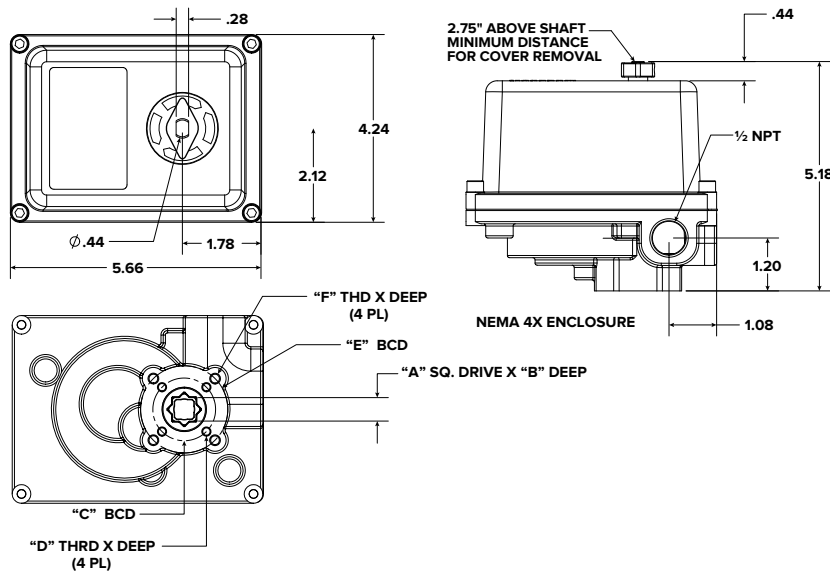
DE Series Electric Actuators

TORQUE OUTPUT	ISO MOUNT	DYNAPIP MODEL NO.			SPEED SEC/90°	WEIGHT (LBS)	AMPS LOCKED ROTOR		
		120 VAC	230 VAC (1-Ph)	24 VAC/24 VDC 12 VAC/12 VDC			230 AC	120 AC	LOW VOLTAGE
150 IN/LB	795	DE153	DE153B	DE153H	2.5	4.0	0.25	0.5	3.0
150 IN/LB	1,325	DE154	DE154B	DE154H	2.5	4.0	0.25	0.5	3.0
150 IN/LB	2,000	DE155	DE155B	DE155H	2.5	4.0	0.25	0.5	3.0
150 IN/LB	3,540	DE156	DE156B	DE156H	2.5	4.0	0.25	0.5	3.0
300 IN/LB	4,425	DE304	DE304B	DE304H	6	4.0	0.25	0.5	3.0
300 IN/LB	5,750	DE305	DE305B	DE305H	6	4.0	0.25	0.5	3.0

MODEL NO.	A	B	C	D	E	F
DE153	.354 (9 mm)	.53	1.417 (F03)	M5 .44 DP	1.969 (F05)	M6 .46 DP
DE154	.433 (11 mm)	.68	1.654 (F04)	M5 .44 DP	—	—
DE155	.551 (14 mm)	.68	1.417 (F03)	M6 .46 DP	1.969 (F05)	M6 .46 DP
DE156	.354 (9 mm)	.53	1.654 (F04)	M5 .44 DP	—	—
DE304	.433 (11 mm)	.68	1.654 (F04)	M5 .44 DP	—	—
DE305	.551 (14 mm)	.68	1.417 (F03)	M6 .46 DP	1.969 (F05)	M6 .46 DP

Electric Actuator Options

Modulating Controls: Additional dry contact limit switches within the control housing to indicate various valve positions remotely, or to stop the valve at intermediate positions, or to control other pieces of equipment, such as pumps.

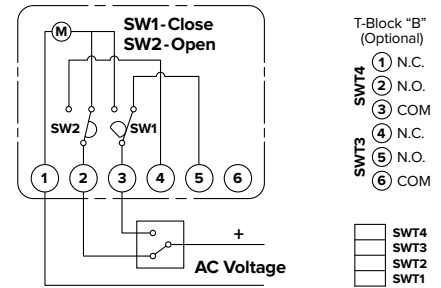


Wiring Diagrams

Electric Actuator Wiring Diagram

120 VAC/230 VAC | 1 Phase | 50-60 Hz

Field Wiring



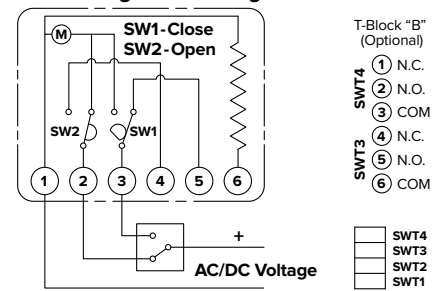
Power to Terminals:

- 1 and 2 to Open
- 1 and 3 to Close
- Terminals 4 and 5 for field remote signals
- SPDT switch is shown for illustration only

Electric Actuator Wiring Diagram

12-24 VDC and 24 VAC | 1 Phase

Field Wiring – Low Voltage



Power to Terminals:

- 1 and 2 to Open
- 1 and 3 to Close
- Terminals 4 and 5 for field remote signals
- +Power to 6 for heater operation
- SPDT switch is shown for illustration only

NOTE: Field wiring is shown for reference only; not supplied with the actuator.