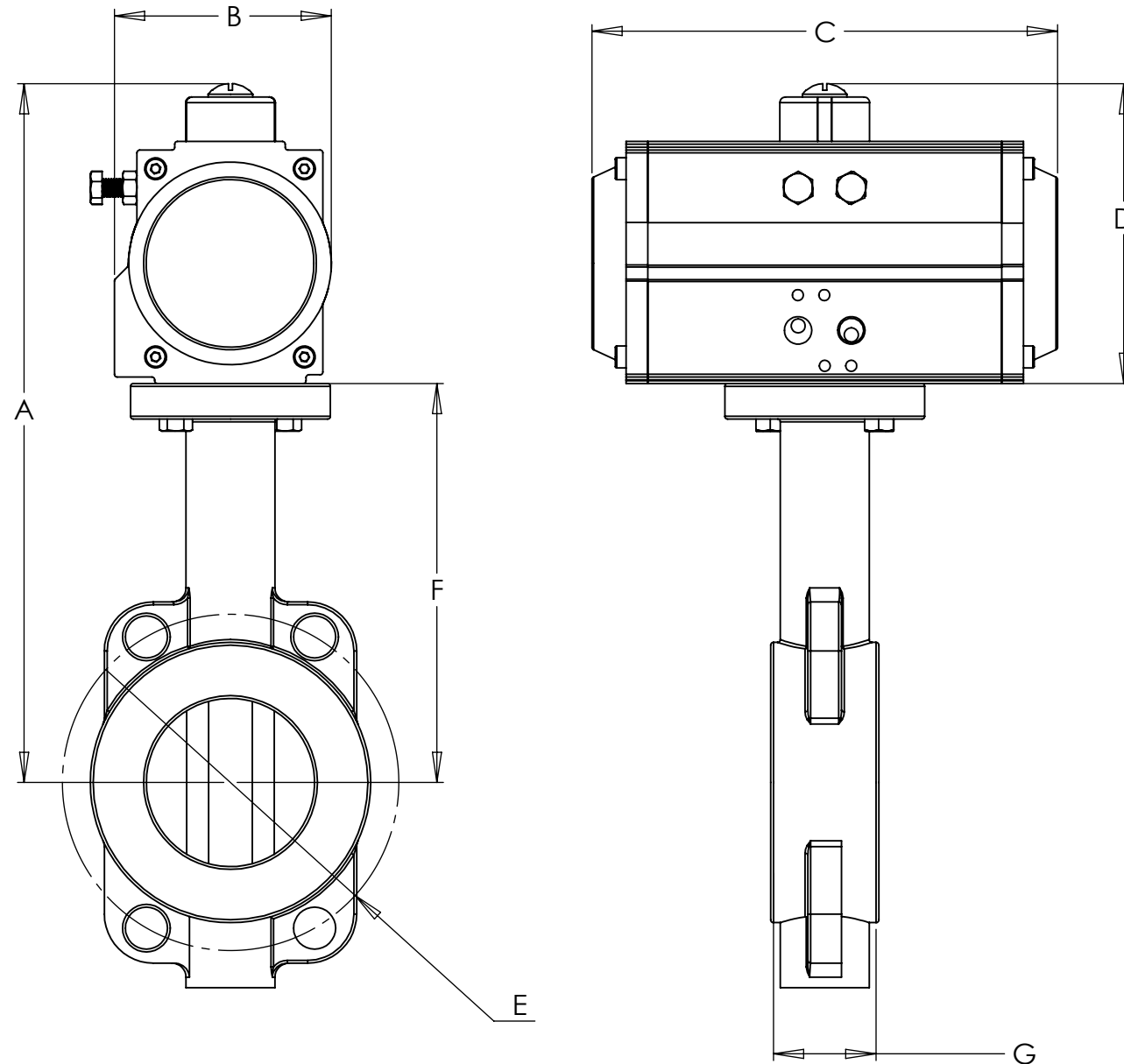


MODEL	ACTUATOR	VALVE SIZE	A	B	C	D	E	F	G*	WT
90F60915SR07512F	HP075SR12F	1.5	9.62	3.71	8.15	4.72	3.88	4.90	1.30	9.9
90F60902SR07512F	HP075SR12F	2	9.82	3.71	8.15	4.72	4.75	5.10	1.70	9.9
90F60925SR07510F	HP075SR10F	2.5	10.32	3.71	8.15	4.72	5.50	5.60	1.80	11.2
90F60903SR08310F	HP083SR10F	3	10.88	3.88	8.39	5.08	6.00	5.80	1.80	12.9
90F60904SR09210F	HP092SR10F	4	12.21	4.27	10.20	5.51	7.50	6.70	2.00	19.8
90F60905SR10510F	HP105SR10F	5	13.42	5.70	11.30	6.02	8.50	7.40	2.20	26.9
90F60906SR12510F	HP125SR10F	6	14.89	5.42	13.39	6.89	9.50	8.00	2.20	36.9
90F60908SR16010F	HP160SR10F	8	17.94	6.850	18.740	8.540	11.75	9.40	2.40	68.8

* DIMENSION TAKEN
OVER SEATS



BUTTERFLY VALVE
SERIES 900182570

BODY: DUCTILE IRON WAFER STYLE
DISC: NICKEL PLATED DUCTILE IRON
STEM: TYPE 416 STAINLESS STEEL
SEAT: BUNA-N

ACTUATOR OPERATION - 80 PSIG CLEAN
LUBRICATED AIR
MAXIMUM 100 PSIG

UNCONTROLLED
DRAWING

THIS PRINT IS THE PROPERTY
OF DYNAQUIP CONTROLS AND
SHALL NOT BE COPIED,
REPRODUCED, LOANED,
OR DISPOSED OF DIRECTLY
OR INDIRECTLY, NOR USED
FOR ANY PURPOSE OTHER THAN
THAT FOR WHICH IT IS
SPECIFICALLY FURNISHED
EXCEPT BY WRITTEN
PERMISSION OF
DYNAQUIP CONTROLS.

NO. 900 SERIES HP NO ACT

FILE NO.
SUB486

TITLE

BUTTERFLY VALVE
900 WAFER -HP NO SERIES ACTUATOR

DR	DATE	CH'KD	DATE	ENGR	DATE
MDC	07-18-23	CMM	10-09-20	CMM	10-09-20