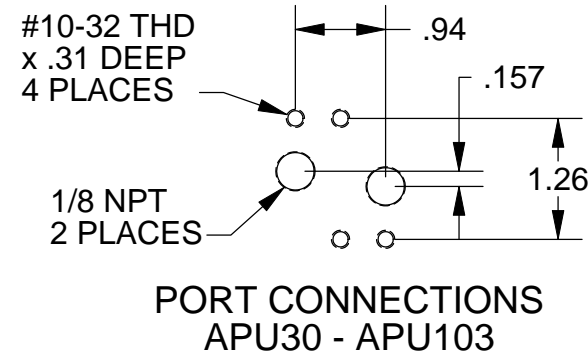
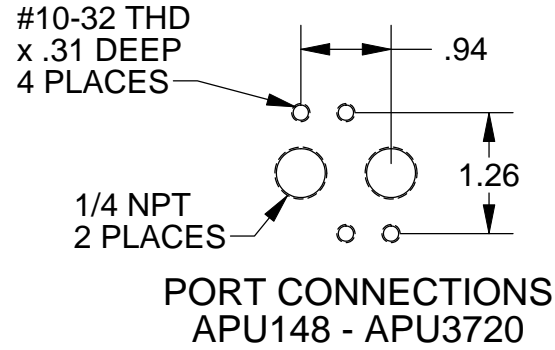
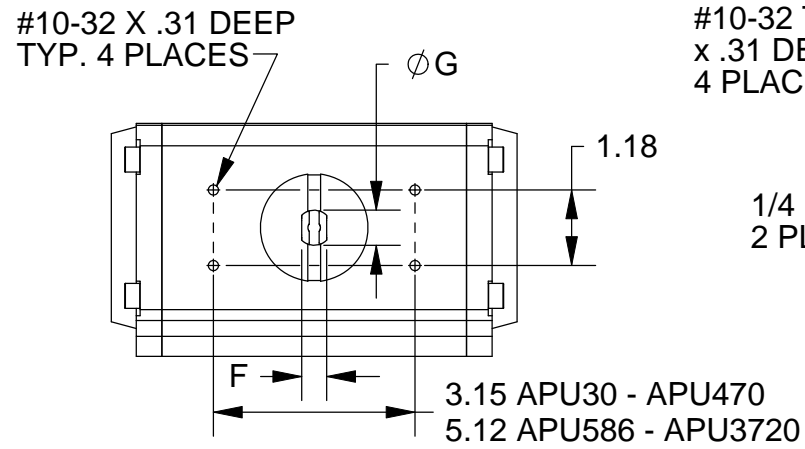
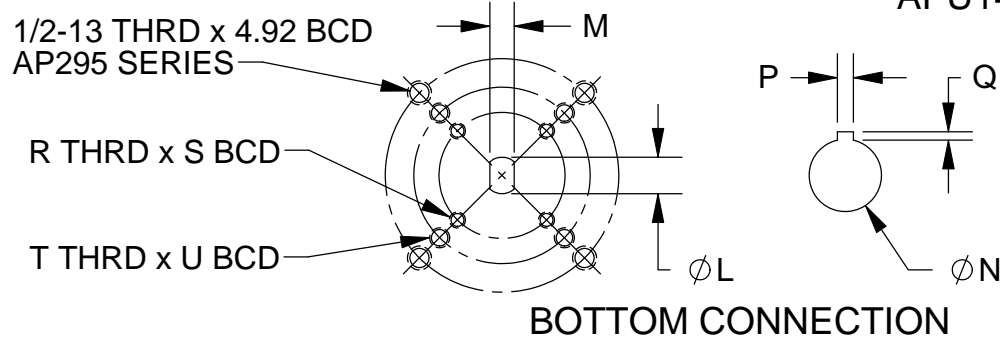
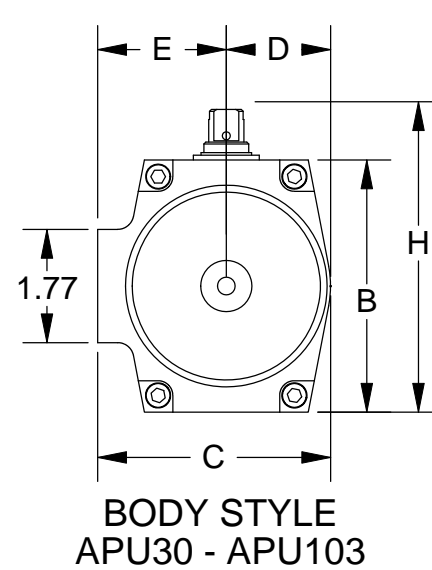
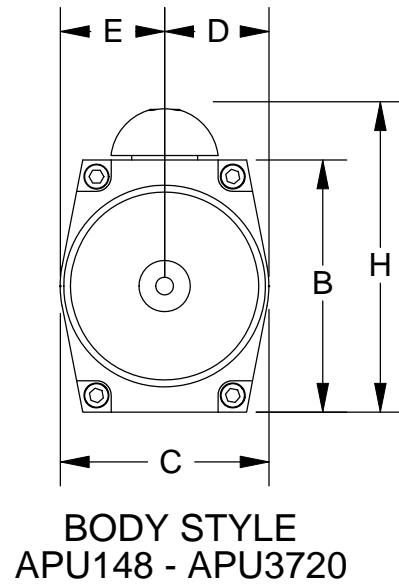
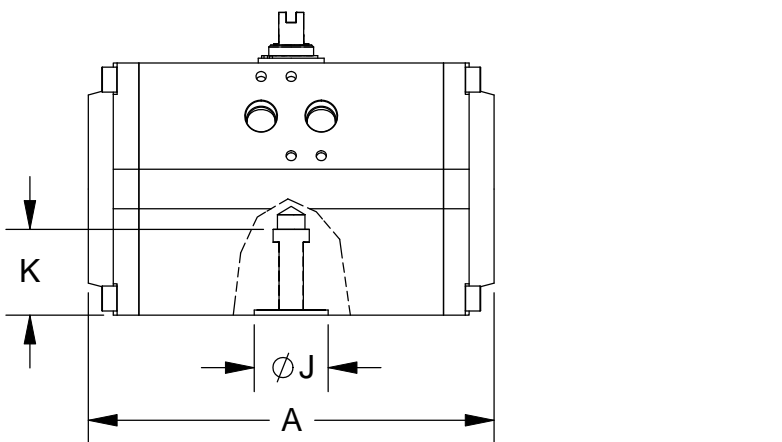


| DOUBLE ACTING | SPRING RETURN | A | B | C | D | E | F | G | H | J | K | L | M | N | P | Q | R | S | T | U | WT. LBS |
|---------------|---------------|-------|-------|-------|------|------|------|------|-------|------|------|-------|-------|-------|-------|-------|---------|------|---------|-------|---------|
| APU30DA | APU30SR() | 5.39 | 3.46 | 3.07 | 1.32 | 1.75 | 0.39 | 0.55 | 4.25 | 1.00 | 0.71 | 0.57 | 0.38 | ----- | ----- | ----- | 1/4-20 | 1.97 | 5/16-18 | 2.76 | 2.98 |
| APU52DA | APU52SR() | 6.34 | 3.94 | 3.64 | 1.63 | 2.01 | 0.39 | 0.55 | 4.73 | 1.16 | 0.75 | 0.57 | 0.38 | ----- | ----- | ----- | 1/4-20 | 1.97 | 5/16-18 | 2.76 | 4.30 |
| APU73DA | APU73SR() | 7.07 | 4.25 | 3.92 | 1.79 | 2.13 | 0.39 | 0.55 | 5.04 | 1.27 | 0.75 | 0.75 | 0.50 | ----- | ----- | ----- | 1/4-20 | 1.97 | 5/16-18 | 2.76 | 5.51 |
| APU103DA | APU103SR() | 8.23 | 4.61 | 4.35 | 1.99 | 2.36 | 0.55 | 0.79 | 5.40 | 1.47 | 0.75 | 0.75 | 0.50 | ----- | ----- | ----- | 1/4-20 | 1.97 | 5/16-18 | 2.76 | 7.39 |
| APU148DA | APU148SR() | 8.77 | 5.51 | 4.72 | 2.36 | 2.36 | 0.55 | 0.79 | 6.30 | 1.57 | 0.81 | 0.75 | 0.50 | ----- | ----- | ----- | 5/16-18 | 2.76 | 3/8-16 | 4.02 | 10.58 |
| APU222DA | APU222SR() | 11.52 | 5.51 | 4.72 | 2.36 | 2.36 | 0.79 | 1.10 | 6.30 | 2.07 | 0.81 | ----- | ----- | 1.13 | 0.25 | 0.13 | 5/16-18 | 2.76 | 3/8-16 | 4.02 | 14.99 |
| APU295DA | APU295SR() | 11.75 | 6.30 | 5.39 | 2.70 | 2.70 | 0.79 | 1.10 | 7.09 | 2.07 | 0.83 | ----- | ----- | 1.13 | 0.25 | 0.13 | 5/16-18 | 2.76 | 3/8-16 | 4.02 | 18.74 |
| APU470DA | APU470SR() | 13.27 | 7.80 | 6.77 | 3.39 | 3.39 | 0.79 | 1.10 | 8.59 | 2.59 | 0.83 | ----- | ----- | 1.13 | 0.25 | 0.13 | 3/8-16 | 4.02 | 1/2-13 | 4.92 | 31.00 |
| APU586DA | APU586SR() | 14.49 | 7.80 | 6.77 | 3.39 | 3.39 | 1.10 | 1.42 | 8.98 | 2.59 | 0.83 | ----- | ----- | 1.13 | 0.25 | 0.13 | 3/8-16 | 4.02 | 1/2-13 | 4.92 | 34.40 |
| APU900DA | APU900SR() | 16.62 | 10.00 | 8.82 | 4.41 | 4.41 | 1.10 | 1.42 | 11.18 | 3.10 | 1.26 | ----- | ----- | 1.13 | 0.25 | 0.13 | 1/2-13 | 4.92 | 5/8-11 | 6.50 | 61.50 |
| APU1213DA | APU1213SR() | 17.72 | 10.00 | 8.82 | 4.41 | 4.41 | 1.26 | 1.57 | 11.18 | 3.10 | 1.26 | ----- | ----- | 1.63 | 0.38 | 0.19 | 5/8-11 | 5.51 | ----- | ----- | 68.80 |
| APU2366DA | APU2366SR() | 23.07 | 11.89 | 10.71 | 5.36 | 5.36 | 1.26 | 1.57 | 13.07 | 4.12 | 1.26 | ----- | ----- | 1.88 | 0.50 | 0.19 | 3/4-10 | 6.50 | ----- | ----- | 132.32 |
| APU2958DA | APU2958SR() | 23.07 | 11.89 | 10.71 | 5.36 | 5.36 | 1.26 | 1.57 | 13.07 | 5.12 | 1.26 | ----- | ----- | 1.88 | 0.50 | 0.19 | 3/4-10 | 6.50 | ----- | ----- | 160.97 |
| APU3720DA | APU3720SR() | 26.89 | 14.17 | 14.17 | 7.09 | 7.09 | 1.26 | 1.57 | 15.35 | 5.12 | 1.26 | ----- | ----- | 1.88 | 0.50 | 0.19 | 3/4-10 | 6.50 | ----- | ----- | 205.00 |

| "SR" TORQUE RATINGS -- LBS.-IN. | | | | | | | |
|---------------------------------|------------|------------------------|-------|-------|-------|---------------|-------|
| ACTUATOR SIZE | NO. OF SPG | AIR SUPPLY IN P.S.I.G. | | | | SPRING STROKE | |
| | | 60 | | 80 | | START | END |
| | | END | START | END | START | | |
| APU30SR() | 4 | 64 | 112 | 139 | 187 | 159 | 111 |
| | 5 | 24 | 84 | 99 | 159 | 199 | 139 |
| | 6 | -- | 56 | 59 | 131 | 239 | 167 |
| APU52SR() | 4 | 80 | 181 | 210 | 311 | 309 | 208 |
| | 5 | 3 | 129 | 132 | 259 | 386 | 260 |
| | 6 | -- | 76 | 55 | 206 | 463 | 312 |
| APU73SR() | 4 | 145 | 290 | 326 | 471 | 398 | 253 |
| | 5 | 45 | 226 | 226 | 407 | 498 | 317 |
| | 6 | -- | 162 | 126 | 343 | 597 | 380 |
| APU103SR() | 4 | 227 | 382 | 481 | 636 | 533 | 379 |
| | 5 | 93 | 287 | 347 | 541 | 667 | 473 |
| | 6 | -- | 192 | 213 | 446 | 800 | 568 |
| APU148SR() | 4 | 277 | 571 | 641 | 935 | 814 | 521 |
| | 5 | 73 | 440 | 437 | 804 | 1018 | 651 |
| | 6 | -- | 309 | 232 | 673 | 1221 | 781 |
| APU222SR() | 4 | 407 | 729 | 936 | 1259 | 1101 | 800 |
| | 5 | 84 | 495 | 614 | 1025 | 1376 | 1000 |
| | 6 | -- | 253 | 281 | 783 | 1651 | 1200 |
| APU295SR() | 4 | 554 | 1150 | 1282 | 1878 | 1629 | 1033 |
| | 5 | 147 | 892 | 847 | 1620 | 2036 | 1291 |
| | 6 | -- | 634 | 467 | 1361 | 1443 | 1549 |
| APU470SR() | 4 | 840 | 1743 | 1876 | 2779 | 2266 | 1363 |
| | 5 | 273 | 1402 | 1309 | 2438 | 2832 | 1704 |
| | 6 | -- | 1061 | 742 | 2097 | 3398 | 2044 |
| APU586SR() | 4 | 1245 | 2224 | 2688 | 3667 | 3083 | 2104 |
| | 5 | 473 | 1698 | 1916 | 3141 | 3854 | 2630 |
| | 6 | -- | 1171 | 1145 | 2614 | 4625 | 3156 |
| APU900SR() | 4 | 2214 | 3478 | 4453 | 5717 | 4501 | 3238 |
| | 5 | 1088 | 2668 | 3327 | 4907 | 5627 | 4047 |
| | 6 | -- | 1858 | 2200 | 4907 | 6752 | 4856 |
| APU1213SR() | 4 | 2952 | 4636 | 5937 | 7621 | 6001 | 4317 |
| | 5 | 1451 | 3556 | 4436 | 6541 | 7501 | 5397 |
| | 6 | -- | 2475 | 2934 | 5460 | 9001 | 6476 |
| APU2366SR() | 4 | 3798 | 8319 | 9621 | 14142 | 13665 | 9145 |
| | 5 | 379 | 6031 | 6202 | 11854 | 17081 | 11432 |
| | 6 | -- | 3742 | 2782 | 9565 | 20497 | 13718 |
| APU2958SR() | 4 | 4748 | 11801 | 12026 | 19079 | 17081 | 10030 |
| | 5 | 474 | 9291 | 7752 | 16570 | 21351 | 12538 |
| | 6 | -- | 6781 | 3477 | 14059 | 25621 | 15045 |
| APU3720SR() | 4 | 12568 | 18628 | 22192 | 28251 | 16296 | 10239 |
| | 5 | 8491 | 16066 | 18114 | 25689 | 20370 | 12799 |
| | 6 | 4413 | 13503 | 14036 | 23127 | 24443 | 15358 |
| | 7 | 333 | 10940 | 9957 | 20564 | 28517 | 17918 |
| | 8 | ----- | 8377 | 5877 | 18000 | 32591 | 20478 |



| "DA" TORQUE RATINGS LBS.-IN. | | |
|------------------------------|-----------------|-------|
| ACTUATOR SIZE | AIR IN P.S.I.G. | |
| | 60 | 80 |
| APU30DA | 227 | 302 |
| APU52DA | 395 | 526 |
| APU73DA | 551 | 734 |
| APU103DA | 774 | 1032 |
| APU148DA | 1109 | 1479 |
| APU222DA | 1664 | 2218 |
| APU295DA | 2219 | 2958 |
| APU470DA | 3106 | 4142 |
| APU586DA | 4399 | 5865 |
| APU900DA | 6825 | 9100 |
| APU1213DA | 9099 | 12132 |
| APU2366DA | 17749 | 23665 |
| APU2958DA | 22186 | 29581 |
| APU3720DA | 27938 | 37250 |



MATERIAL SPECIFICATIONS
 BODY.....ANODIZED ALUMINUM, EPOXY COATED
 PISTON.....DIECAST ALUMINUM ALLOY
 END CAP.....ALUMINUM, EPOXY COATED
 DRIVE SHAFT.....STEEL, NICKEL PLATED
 SEAL, O-RINGS.....BUNA N
 BEARINGS.....DELTRIN
 SCREWS.....304 S.S.
 NUTS.....304 S.S.
 LOADED SPRINGS...STEEL, HIGH ALLOY, EPOXY COATED

UNCONTROLLED DRAWING

THIS PRINT IS THE PROPERTY OF DYNAQUIP CONTROLS AND SHALL NOT BE COPIED, REPRODUCED, LOANED, OR DISPOSED OF DIRECTLY OR INDIRECTLY, NOR USED FOR ANY PURPOSE OTHER THAN THAT FOR WHICH IT IS SPECIFICALLY FURNISHED EXCEPT BY WRITTEN PERMISSION OF DYNAQUIP CONTROLS.

NO. APU - ACTUATOR FILE NO. SUB004.2 DO NOT SCALE

TITLE
PNEUMATIC ACTUATOR
APU SERIES

DR MJP DATE 07-12-11 CH'KD MJP DATE 07-12-11 ENGR MJP DATE 07-12-11

