

DynaQuip AV70 Data Sheet

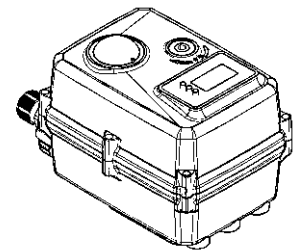
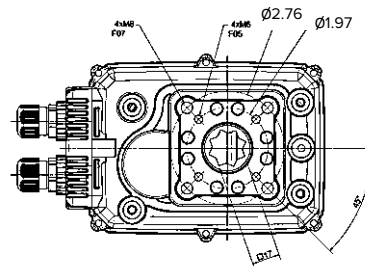
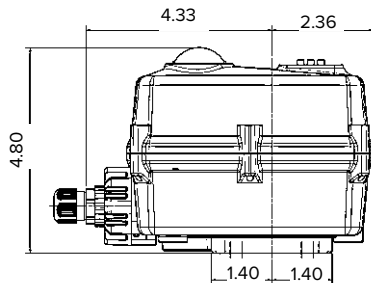
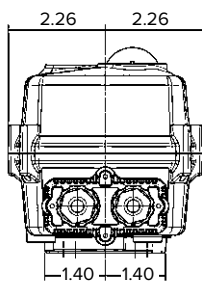
The AV70 Standard is an entry level electric actuator designed where only minimal features are required for on-off applications. The basic version is constructed traditionally with internal cams striking micro-switches to stop the reversible motor in the required positions. The lower torque models are available failsafe using capacitors.



- Fully weatherproof to IP67
- Dome style local visual indicator
- Hand operation
- End of travel confirmation switches
- Female octagon drive output
- Multiple ISO5211 mountings
- Anti-condensation heater

Standard Specifications

Standard Specifications	AV70
Max Rated torque Nm output (in./lbs.)	Break 708 in./lbs. / Run 708 in./lbs.
Voltage range	24VDC, 110VAC, 220VAC
Mounting (ISO5211) x drive (female octagon)	F05 & F07 x 17mm
Ingress Protection	IP67
Electrical connection	Terminal strip via gland
End of travel confirmation (dry contact/volt-free)	2 x Mechanical micro-switches
Local visual position indicator	Dome style
Housing material	ABS
Weight ABS (Aluminum)	4.85 lbs.



DynaQuip AV70 Data Sheet

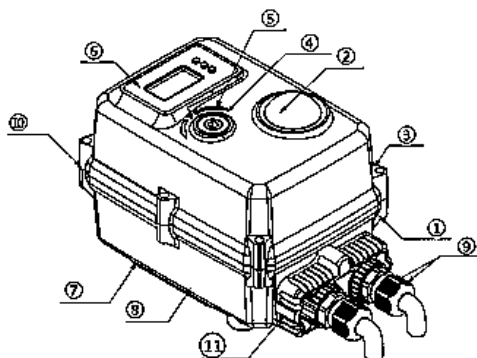
Model: AV70 STANDARD ON-OFF & AV70 FAILSAFE ELECTRIC ACTUATORS

Specification	AC 1ph 50/60Hz			DC	
Rated Voltage	AC230V	AC110V	AC24V	DC24V	DC12V
Voltage Range	AC 190-250V	AC90-130V	AC22-28V	DC22-28V	DC10-15V
Consumption	15W run, 1.6W hold	15W run, 1.6W hold	15W run, 1.5W hold	15W run, 1.5W hold	15W run, 1.5W hold
Peak current	0.26A for 5ms	0.26A for 5ms	2.5A for 5ms	2.54A for 5ms	2.54A for 5ms
Consumption Standard	15W run, 1.6W hold	15W run, 1.6W hold	15W run, 1.5W hold	15W run, 1.5W hold	15W run, 1.5W hold
Peak current Standard	0.52A for 5ms	0.52A for 5ms	5A for 5ms	5A for 5ms	5A for 5ms
Fuse	2A	2A	5A	5A	5A
Fuse	10A	10A	10A	10A	10A
Maximum Break Torque	708.06 in./lbs.			708.06 in./lbs.	708.06 in./lbs.
Run & Reseat Torque	708.06 in./lbs.			708.06 in./lbs.	
Manual operation	Yes, by hexagonal wrench (supplied in clip) when no power is being applied				
Run time Standard	≈ 10 sec			≈ 10 sec	≈ 10 sec
Run time Failsafe	≈ 10 sec			≈ 10 sec	≈ 10 sec

STANDARD FEATURES:

Operating frequency	Not continuous, allow ≥ 1 minute between cycles
Position Indication	Mechanically driven dome style visual 2 color indicator
Mounting restriction	None, can be mounted at any angle. Leave room for space to operate manually, and for electrical connection
End Position indication	Micro-switches operated by adjustable internal cams, set slightly ahead of the final motor stop position.
ISO:5211	F05 & F07
Working Angle	Factory set at 90° ±2°, maximum angle of rotation 360°
Female drive	17mm x 21mm deep
Ingress protection	IP67
Max media temp	≤ 176 °F
Ambient temp	-4 to +140 °F (ABS)
Cable Length	Supplied without cable, 60-80 series is supplied with wiring box with conduit entry. Wiring via terminal strip within box.
Ambient humidity	5-95% RH non-condensing
Explosion proof	No, prohibited. Do not use in hazardous areas
Housing	Plastic (ABS)
Weight	4.85 lbs.
Options	Extended flying lead option, per meter.

Main Parts

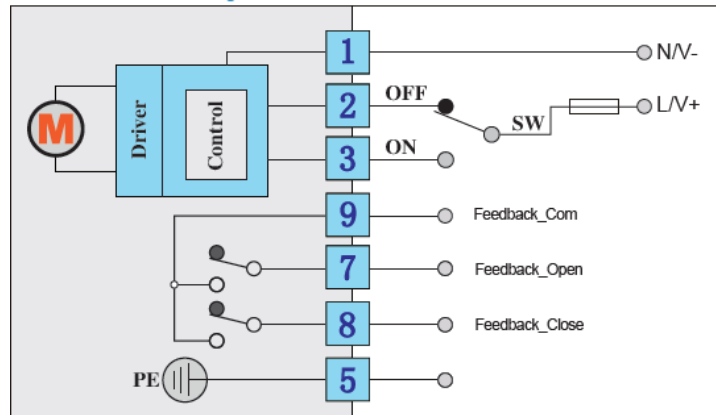


Item	Parts	Material
1	Actuator	ABS
2	Indicator	Transparent AS
3	Screw x 4	304
4	Manual Shaft	304
5	Oil Seat	NBR
6	Label	PVC
7	Wrench Fixed	ABS
8	Hexagon Wrench	Steel
9	Weatherproof Cable connector	Nylon
10	Cover Seal	NBR

AV70 Wiring

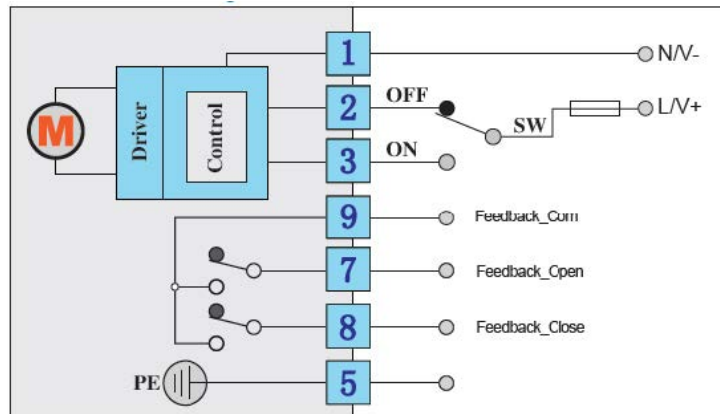
Standard Wiring for ON-OFF AV70 Actuators

Standard Wiring for our AV70 series actuators including all voltages, 12VDC, 24VDC, 24VAC, 110VAC, 220VAC, 24VAC/DC and 95-265VAC 50/60Hz. Our ON-OFF actuators use a simple 3 wire system for control and 3 wire feedback connection as below. Note that the internal Space heater is pre wired and doesn't require additional wiring. When the actuator is powered, the internal heater will operate.



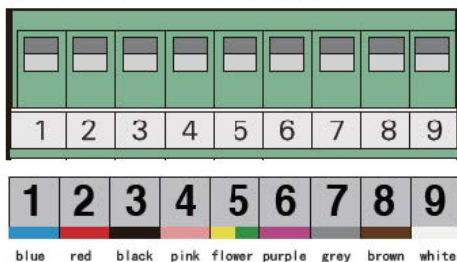
Standard Wiring for Failsafe AV70 Actuators

Standard Wiring for our AVA Basic 64-84 series actuators including all voltages, 12VDC, 24VDC, 24VAC, 110VAC, 220VAC, 24VAC/DC and 95-265VAC 50/60Hz. Our Failsafe actuators use a simple 2 wire system for control and as such will require an initial charge period. After this point, the actuator will charge whilst opening and on removing power from Pin 2 (Red) the actuator will close. Re applying power to Pin 2 will Open the actuator and again charge the capacitor.



Note that the internal Space heater is pre-wired and doesn't require additional wiring. When the actuator is powered, the internal heater will operate.

9P-5.08 Terminal diagram



Wiring Instructions:

1. Fuse: Please refer to the manual for more parameters.
2. SW switching capability: please refer to manual for more parameters.
3. Feedback signal contact load capacity: 0.1A/250VAC 0.5A/30VDC.
4. Please make sure actuator connect ground reliably.