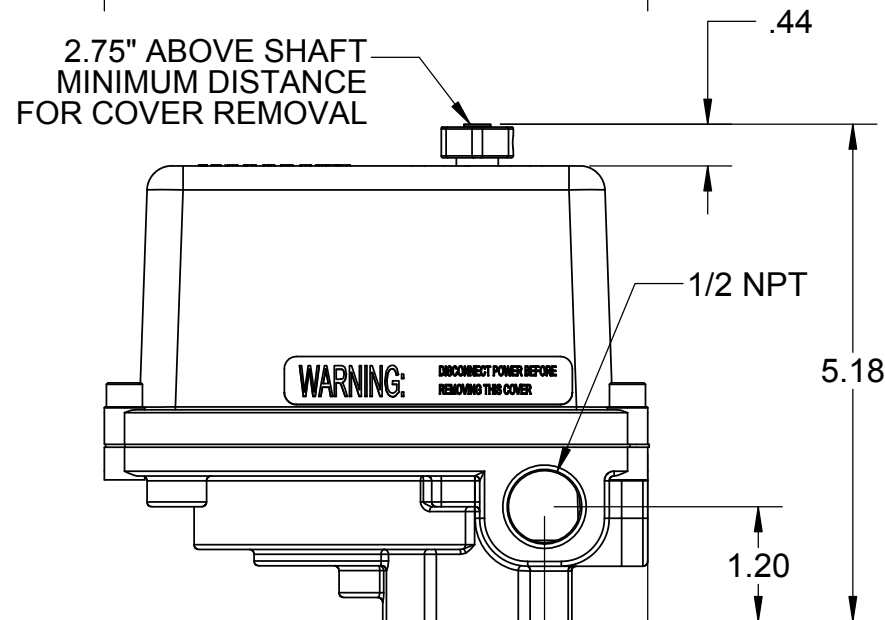
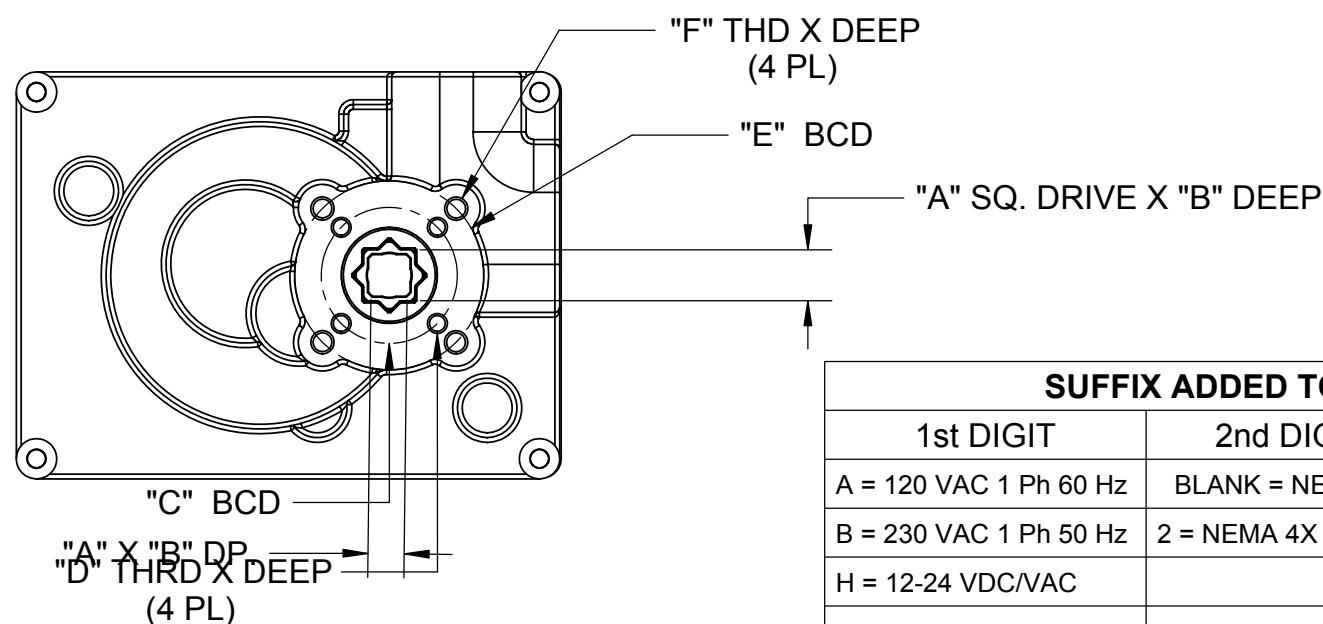


ENCLOSURE - NEMA 4X, ALUMINUM DIE CAST  
 POLYURETHANE ENAMEL COATING  
 FASTENERS - STAINLESS STEEL  
 HEAT TREATED STEEL GEARING, LUBRICATED FOR LIFE  
 50% RATED DUTY CYCLE REVERSING MOTOR  
 WITH THERMAL OVERLOAD PROTECTION  
 2 EXTRA LIMIT SWITCHES AVAILABLE  
 HEATER & THERMOSTAT STANDARD ON LOW VOLTAGE UNITS  
 WHEN POWERED, HEATER TURNS ON BELOW 85°F TURNS OFF AT 88°F)  
 SWITCH RATING - 5A 125/250 VAC  
 MANUAL OVERRIDE SHAFT - STAINLESS STEEL TYPE 316  
 POSITION INDICATOR - NYLON  
 AMBIENT TEMPERATURE RATING; -40°F TO +150°F  
 VOTAGES; 120 1Ph., 60 Hz VAC & 230 1Ph., 50 Hz VAC,  
 12 - 24 VDC / VAC  
 TERMINAL POINTS: 12 - 20 AWG



NEMA 4X ENCLOSURE



MODEL NO.	TORQUE IN-LB	SPEED SEC/90°	"A"	"B"	"C"	"D"	"E"	"F"	AMPS LOCKED ROTOR		WT. LBS
									AC	12-24 DC/AC	
DE153	150	2.5	.354 (9 mm)	.53	1.417 (F03)	M5 .44 DP	1.969 (F05)	M6 .46 DP	.5	3.0	4.0
DE154	150	2.5	.433 (11mm)	.68	1.654 (F04)	M5 .44 DP	-----	-----	.5	3.0	4.0
DE155	150	2.5	.551 (14mm)	.68	1.417 (F03)	M5 .44 DP	1.969 (F05)	M6 .46 DP	.5	3.0	4.0
DE156	150	2.5	.354 (9 mm)	.53	1.654 (F04)	M5 .44 DP	-----	-----	.5	3.0	4.0
DE304	300	6	.433 (11mm)	.68	1.654 (F04)	M5 .44 DP	-----	-----	.5	3.0	4.0
DE305	300	6	.551 (14mm)	.68	1.417 (F03)	M5 .46 DP	1.969 (F05)	M6 .46 DP	.5	3.0	4.0

SUFFIX ADDED TO MODEL NUMBER		
1st DIGIT	2nd DIGIT	3rd & 4th DIGITS
A = 120 VAC 1 Ph 60 Hz	BLANK = NEMA 4X	BLANK = NO OPTION
B = 230 VAC 1 Ph 50 Hz	2 = NEMA 4X	0A = 2 X LMT SWT
H = 12-24 VDC/VAC		

UNCONTROLLED DRAWING

THIS PRINT IS THE PROPERTY OF DYNAQUIP CONTROLS AND SHALL NOT BE COPIED, REPRODUCED, LOANED, OR DISPOSED OF DIRECTLY OR INDIRECTLY, NOR USED FOR ANY PURPOSE OTHER THAN THAT FOR WHICH IT IS SPECIFICALLY FURNISHED EXCEPT BY WRITTEN PERMISSION OF DYNAQUIP CONTROLS.

NO. DE SERIES FILE NO. SUB219

TITLE DE1 & DE3 SERIES ELECTRIC ACTUATOR

DR MJP DATE 02-21-19 CHKD MJP DATE 02-17-15 ENGR MJP DATE 02-17-15

