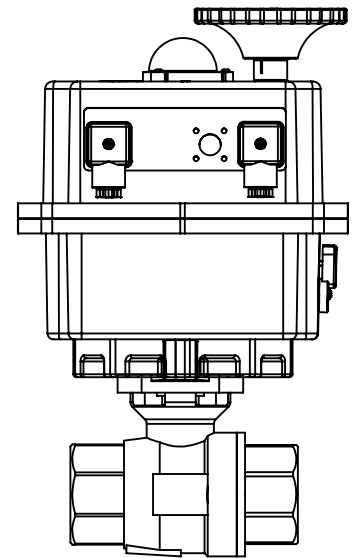
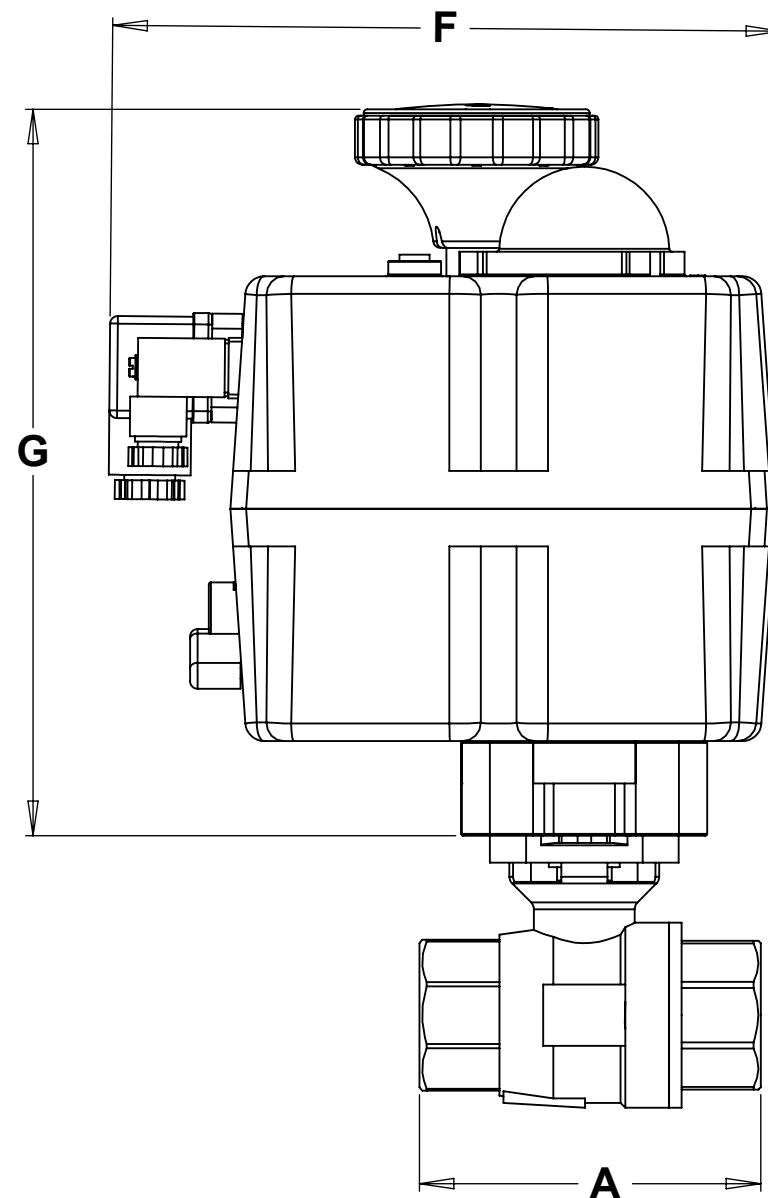
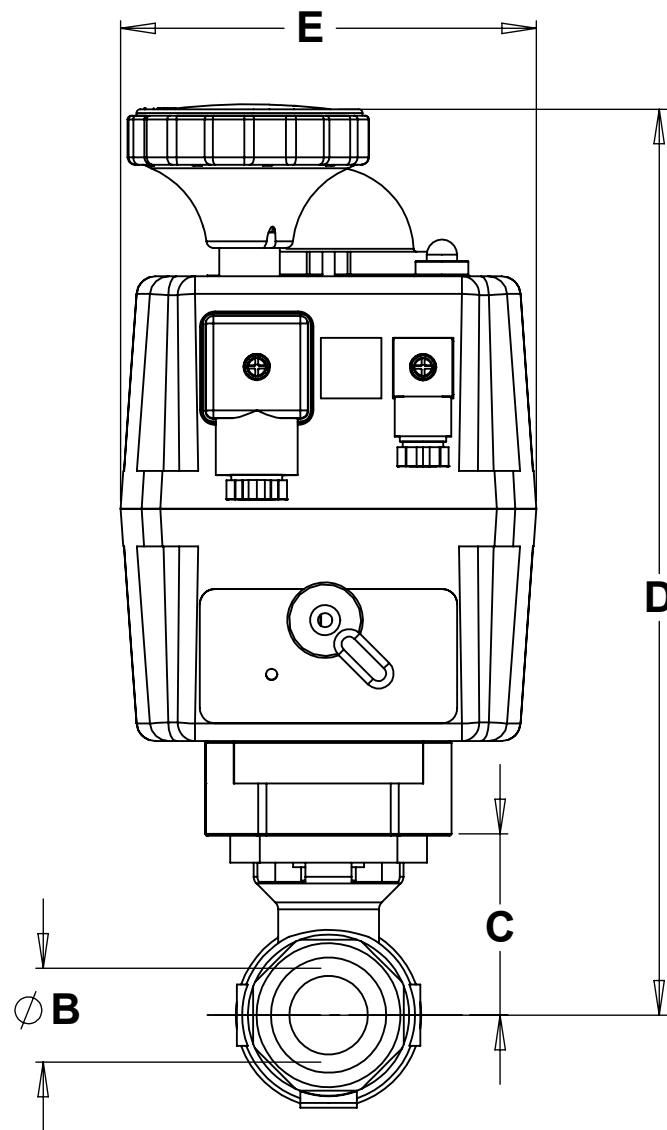


MODEL	E2S21AJJE2S	E2S22AJJE2S	E2S23AJJE2S	E2S24AJJE2S	E2S25AJJE2S	E2S26AJJE2S	E2S27AJJE3S	E2S28AJJE5S	E2S29AJJE15S	E2S2AAJJE15S
SIZE	1/4 NPT	3/8 NPT	1/2 NPT	3/4 NPT	1 NPT	1 1/4 NPT	1 1/2 NPT	2 NPT	2 1/2 NPT	3 NPT
Cv	10	16	37	68	109	185	268	486	791	1150
WOG	1000 PSI	1000 PSI	1000 PSI	1000 PSI	1000 PSI	1000 PSI	1000 PSI	1000 PSI	1000 PSI	1000 PSI
A	2.95	2.95	2.95	3.15	3.56	4.33	4.72	4.88	5.76	6.44
B	0.31	.39	.59	.79	.98	1.26	1.5	1.97	2.48	2.99
C	1.54	1.54	1.54	1.73	1.87	2.09	2.54	2.97	3.60	3.97
D	8.19	8.19	8.19	8.38	8.52	8.74	9.19	10.69	13.60	13.97
E	4.34	4.34	4.34	4.34	4.34	4.34	4.34	4.34	8.43	8.43
F	7.13	7.13	7.13	7.13	7.13	7.13	7.13	7.13	9.26	9.26
G	6.65	6.65	6.65	6.65	6.65	6.65	6.65	7.72	10.00	10.00
ACTUATOR	AJE2S	AJE2S	AJE2S	AJE2S	AJE2S	AJE2S	AJE3S	AJE5S	AJE15S	AJE15S
SPEED 90°	10 SEC	10 SEC	10 SEC	10 SEC	10 SEC	10 SEC	10 SEC	13 SEC	34 SEC	34 SEC
WT. LBS.	5.1	5.1	5.1	5.3	6.2	7.7	9.1	13.0	24.7	27.4
Sized max Δ PSI	500	500	500	500	500	300	300	300	300	300
Ambient Temp	-4°F / +158°F	-4°F / +158°F	-4°F / +158°F	-4°F / +158°F	-4°F / +158°F	-4°F / +158°F	-4°F / +158°F	-4°F / +158°F	-4°F / +158°F	-4°F / +158°F
Media Temp	-4°F / +210°F	-4°F / +210°F	-4°F / +210°F	-4°F / +210°F	-4°F / +210°F	-4°F / +210°F	-4°F / +210°F	-4°F / +210°F	-4°F / +210°F	-4°F / +210°F



ACTUATOR ORIENTATION FOR
AJE15 AND AJE30



VOLTAGE:
JE2S - 24 - 135 VDC / 24-240 VAC 50/60 Hz
JE3S - 24 - 135 VDC / 24-240 VAC 50/60 Hz
JE5S - 24 - 135 VDC / 24-240 VAC 50/60 Hz
JE15S - 24 - 135 VDC / 24-240 VAC 50/60Hz

OPTIONAL VOLTAGE:
JE2V - 12 VAC / VDC
JE3V - 12 VAC / VDC
JE5V - 12 VAC / VDC

SUFFIX:
00D - FAIL OPEN
00F - FAIL CLOSED
550 - MODULATING

**FOR APPLICATIONS EXCEEDING LISTED
TEMPERATURES, CALL TO DISCUSS OPTIONS**

Body/End Cap	CF8M SS
Stem	ASTM A276-316 STAINLESS STEEL
Ball	CF8M SS
Seats	RTFE
Thrustwasher	PTFE

**UNCONTROLLED
DRAWING**

THIS PRINT IS THE PROPERTY
OF DYNAQUIP CONTROLS AND
SHALL NOT BE COPIED,
REPRODUCED, LOANED,
OR DISPOSED OF DIRECTLY
OR INDIRECTLY, NOR USED
FOR ANY PURPOSE OTHER THAN
THAT FOR WHICH IT IS
SPECIFICALLY FURNISHED
EXCEPT BY WRITTEN
PERMISSION OF
DYNAQUIP CONTROLS.

NO. E2S SERIES

FILE NO.
SUB398

TITLE
BALL VALVE 2 PC. SS
FULL PORT
JE SERIES ACTUATOR

DR	DATE	CH'KD	DATE	ENGR	DATE
MDC	12-06-22	MJP	05-15-17	MJP	05-15-17

