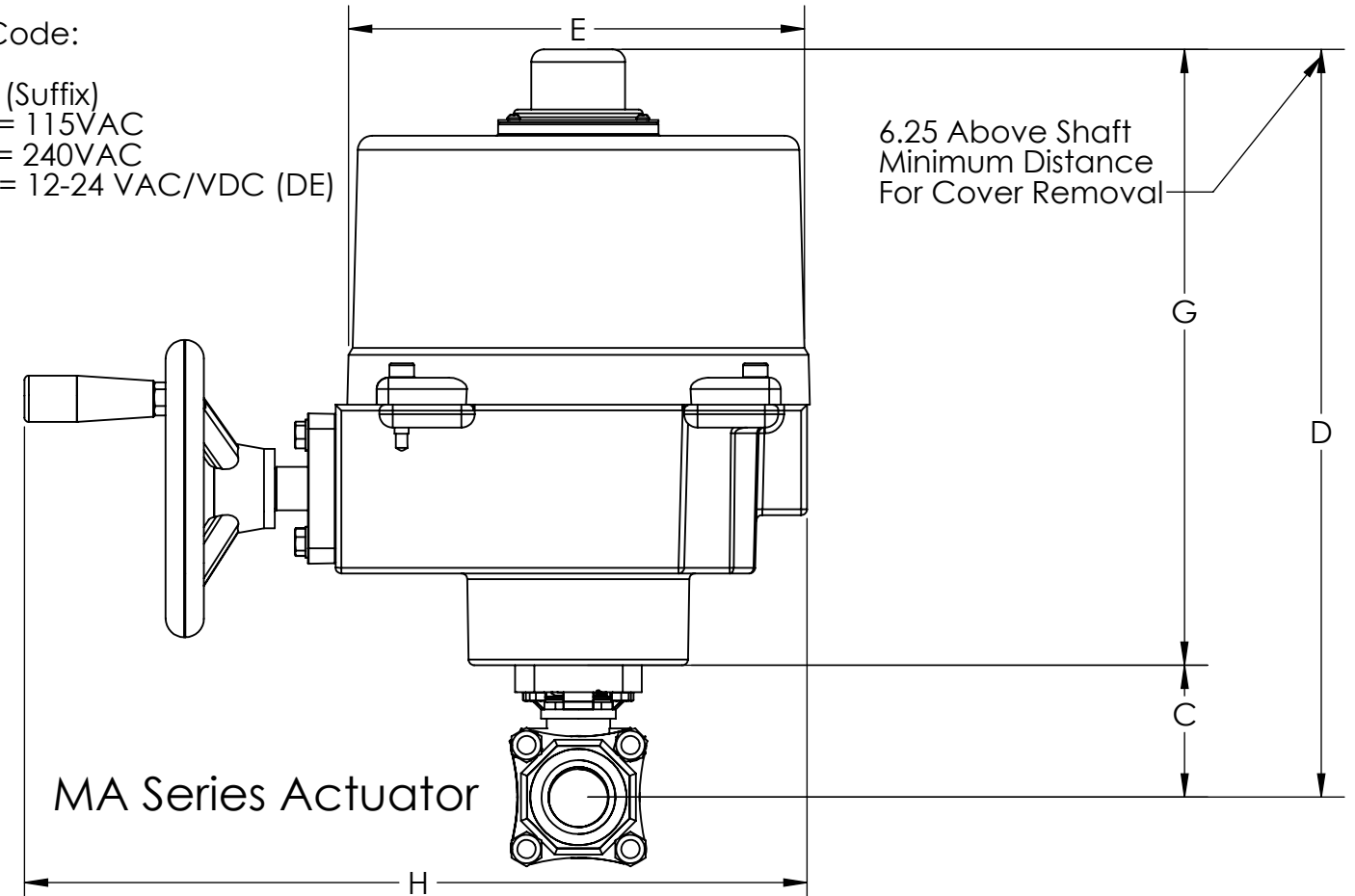
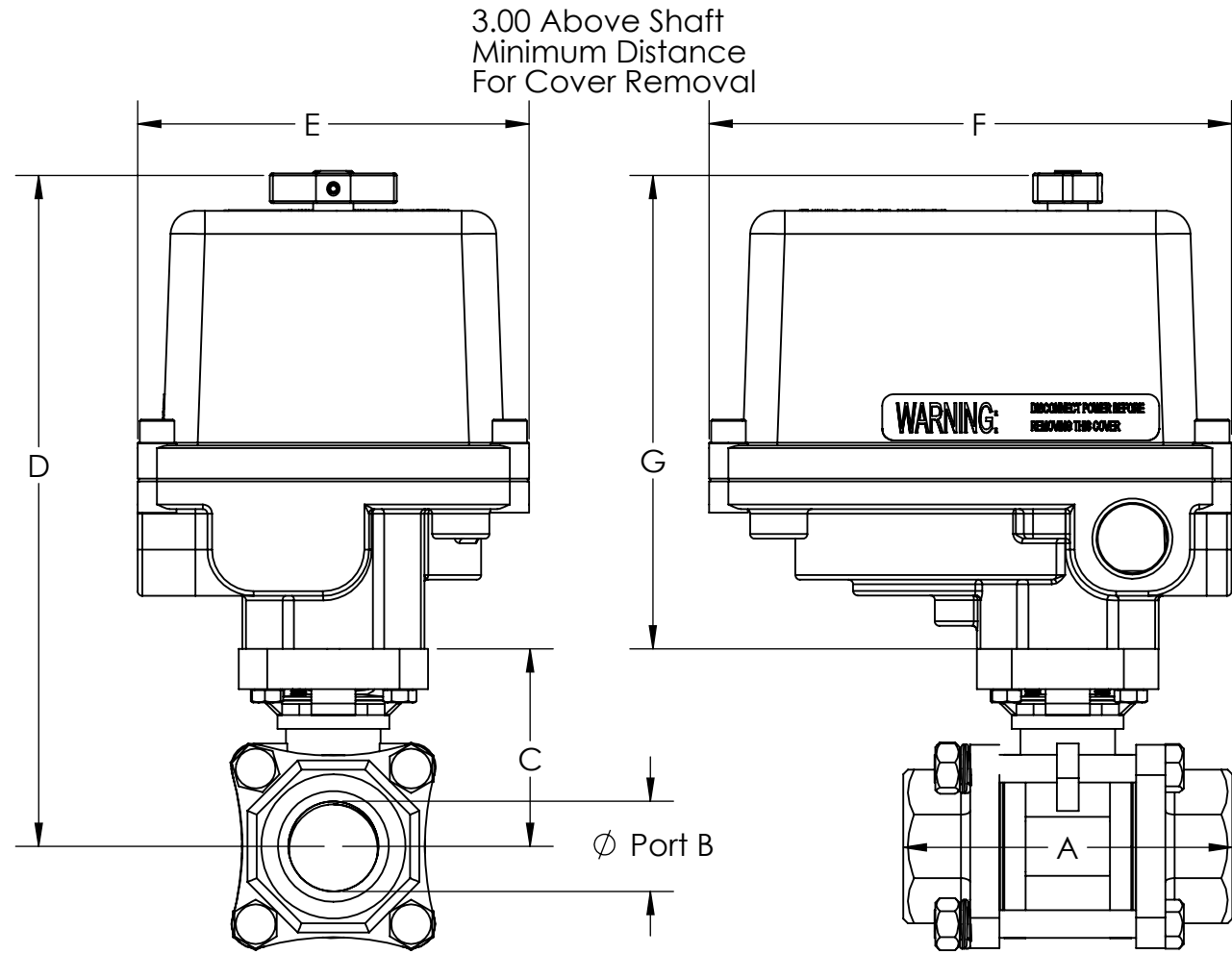


Model	E3C21AJE23	E3C22AJE23	E3C23AJE23	E3C24AJE23	E3C25AJE21	E3C26AJE24	E3C27AJE25	E3C28AJE01	E3C29AJE02	E3C2AAJE02	E3C2BAJE14
Size	1/4 NPT	3/8 NPT	1/2 NPT	3/4 NPT	1 NPT	1 1/4 NPT	1 1/2 NPT	2 NPT	2 1/2 NPT	3 NPT	4 NPT
Cv	10	16	37	68	109	185	268	486	843	1150	2055
WOG	1000 psi	1000 psi	1000 psi	1000 psi	1000 psi	1000 psi	1000 psi	1000 psi	1000 psi	1000 psi	1000 psi
A	2.17	2.36	2.95	3.15	3.54	4.33	4.72	5.51	7.28	8.07	9.45
B	0.31	0.39	0.59	0.79	0.98	1.26	1.50	1.97	2.56	2.99	3.94
C	1.59	1.59	1.59	1.77	1.87	2.19	2.57	2.87	4.13	4.39	5.35
D	6.77	6.77	6.77	6.95	7.05	7.37	7.75	12.91	14.17	14.43	18.10
E	4.24	4.24	4.24	4.24	4.24	4.24	4.24	7.87	7.87	7.87	7.87
F	5.66	5.66	5.66	5.66	5.66	5.66	5.66	---	---	---	---
G	5.18	5.18	5.18	5.18	5.18	5.18	5.18	10.04	10.04	10.04	12.75
H	---	---	---	---	---	---	---	13.00	13.00	13.00	13.75
Actuator	DE156	DE156	DE156	DE156	DE154	DE304	DE305	MA7	MA13	MA13	MA26
Wt. lbs	5.30	5.30	5.30	5.80	6.60	7.70	10.40	15.21	43.60	50.40	70.00
Sized for Max. Δ PSI	500 psi	500 psi	500 psi	500 psi	500 psi	300 psi	300 psi	300 psi	300 psi	300 psi	300 psi
Ambient Temp	-4° / 150°F	-4° / 150°F	-4° / 150°F	-4° / 150°F	-4° / 150°F	-4° / 150°F	-4° / 150°F	-4° / 149°F	-4° / 149°F	-4° / 149°F	-4° / 149°F
Media Temp	-4° / 200°F	-4° / 200°F	-4° / 200°F	-4° / 200°F	-4° / 200°F	-4° / 200°F	-4° / 200°F	-4° / 200°F	-4° / 200°F	-4° / 200°F	-4° / 200°F



**VALVE MATERIALS**

Body/End Cap	ASTM 216-WCB CARBON STEEL
Stem	ASTM A276-316 STAINLESS STEEL
Ball	CF8M SS
Seats	RTFE
Thrustwasher	PTFE

**FOR APPLICATIONS EXCEEDING LISTED TEMPERATURES, CALL TO DISCUSS OPTIONS**

**UNCONTROLLED DRAWING**

THIS PRINT IS THE PROPERTY OF DYNAQUIP CONTROLS AND SHALL NOT BE COPIED, REPRODUCED, LOANED, OR DISPOSED OF DIRECTLY OR INDIRECTLY, NOR USED FOR ANY PURPOSE OTHER THAN THAT FOR WHICH IT IS SPECIFICALLY FURNISHED EXCEPT BY WRITTEN PERMISSION OF DYNAQUIP CONTROLS.

NO. E3 Series FILE NO. Sub 291

TITLE Ball Valve CS Full Port - NPT Electric Actuator

DR	DATE	CH'KD	DATE	ENGR	DATE
MDC	12-06-22	MWS	11-17-15	MWS	11-17-15

