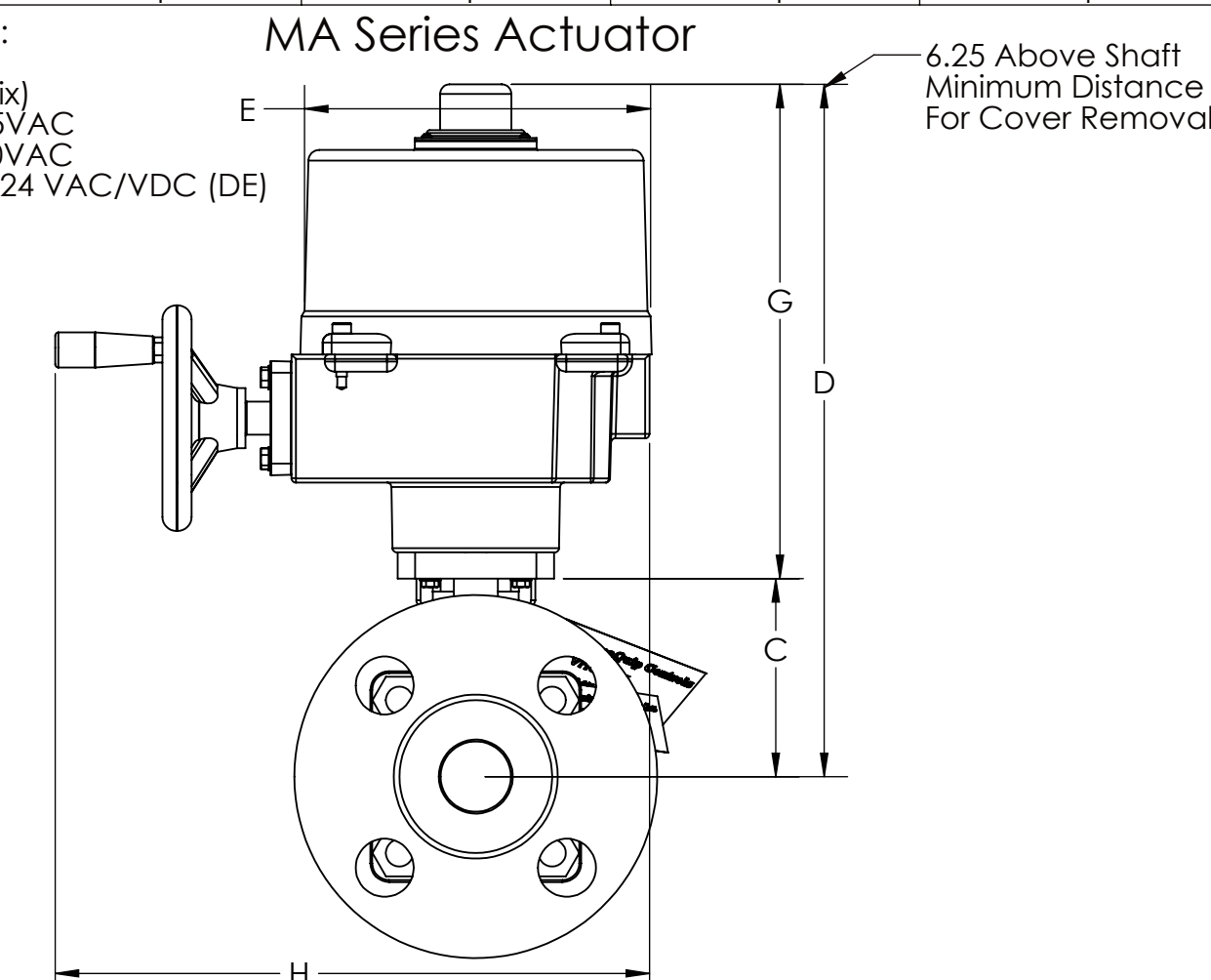
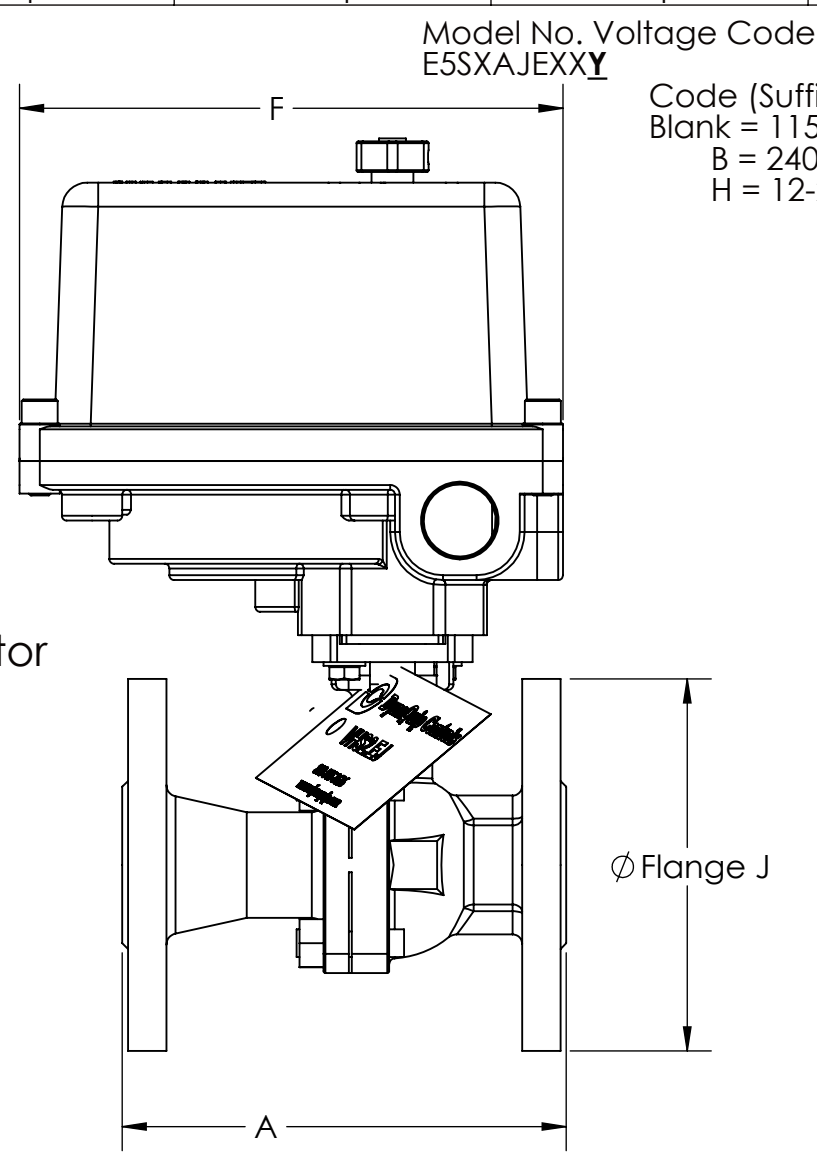
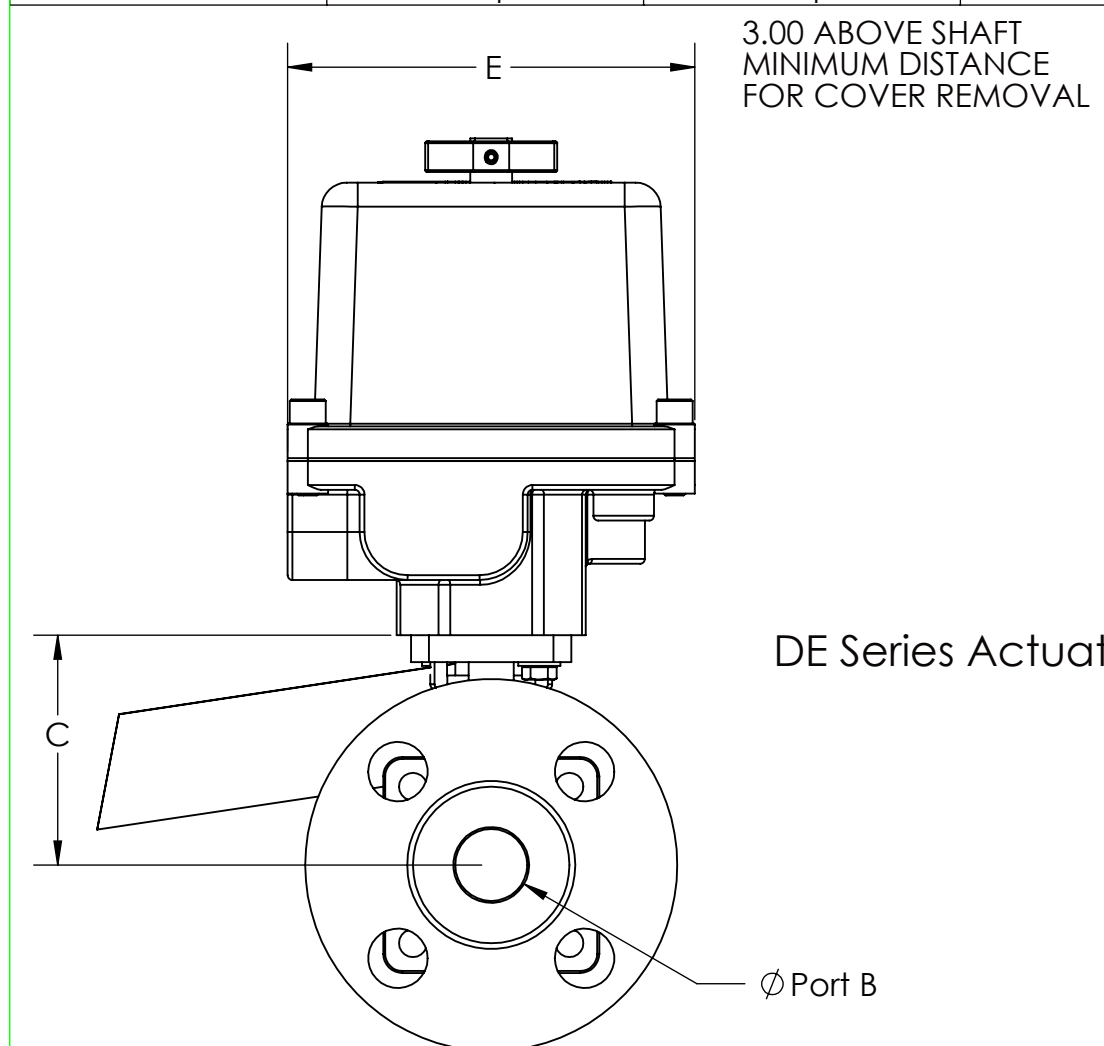


Model	E5S23EJE20	E5S24EJE20	E5S25EJE21	E5S26EJE26	E5S27EJE07	E5S28EJE01	E5S29EJE01	E5S2AEJE02	E5S2BEJE14
Size	1/2	3/4	1	1 1/4	1 1/2	2	2 1/2	3	4
Temp	-4° / 392°F	-4° / 392°F	-4° / 392°F	-4° / 392°F	-4° / 392°F	-4° / 392°F	-4° / 392°F	-4° / 392°F	-4° / 392°F
CWP	285 psi	285 psi	285 psi	285 psi	285 psi	285 psi	285 psi	285 psi	285 psi
A	4.25	4.663	5.00	5.50	6.50	7.00	7.50	8.00	9.00
B	0.59	0.79	0.94	1.18	1.50	1.97	2.52	2.99	3.94
C	2.03	2.17	2.28	2.44	2.99	3.33	4.11	4.39	5.33
D	6.38	6.52	6.63	7.44	10.72	13.37	14.15	14.43	18.08
E	3.58	3.58	3.58	3.58	4.49	7.87	7.87	7.87	7.87
F	4.75	4.75	4.75	4.75	---	---	---	---	---
G	4.35	4.35	4.35	5.00	7.73	10.04	10.04	10.04	12.75
H	---	---	---	---	---	13.00	13.00	13.00	13.75
J	3.5	3.88	4.25	4.62	5.00	6.00	7.00	7.50	8.00
Actuator	DE153	DE153	DE156	DE304	MA4	MA7	MA7	MA13	MA26
Wt. lbs	7.40	8.30	10.80	12.10	19.81	37.60	52.00	60.20	96.90
Sized for Max. Δ PSI	285 psi	285 psi	285 psi	285 psi	285 psi	285 psi	285 psi	285 psi	285 psi



VALVE DATA

Body / End Cap	ASTM A351-CF8M (316 Stainless)
Stem	316 Stainless Steel
Ball	316 Stainless Steel
Seats	RTFE
Thrust Washer	CTFE
Stem Seal	VITON O-Ring

UNCONTROLLED DRAWING

THIS PRINT IS THE PROPERTY OF DYNAQUIP CONTROLS AND SHALL NOT BE COPIED, REPRODUCED, LOANED, OR DISPOSED OF DIRECTLY OR INDIRECTLY, NOR USED FOR ANY PURPOSE OTHER THAN THAT FOR WHICH IT IS SPECIFICALLY FURNISHED EXCEPT BY WRITTEN PERMISSION OF DYNAQUIP CONTROLS.

NO.		E5 Series		FILE NO. Sub342	
TITLE					
Ball Valve SS Full Port - # 150 Flange Electric Actuator					
DR	DATE	CH'KD	DATE	ENGR	DATE
MJP	07-26-22	MWS	11-17-15	MWS	11-17-15
