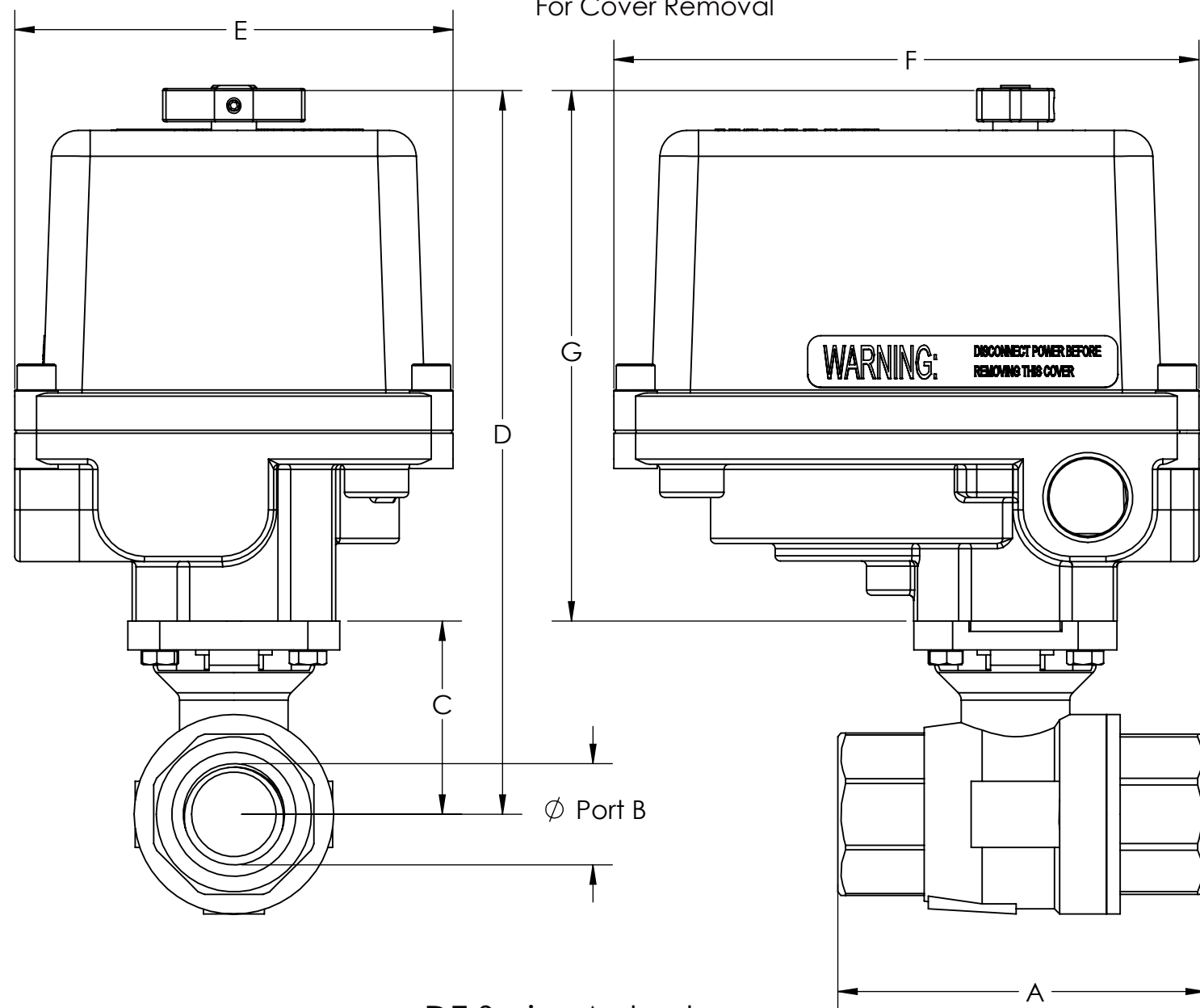
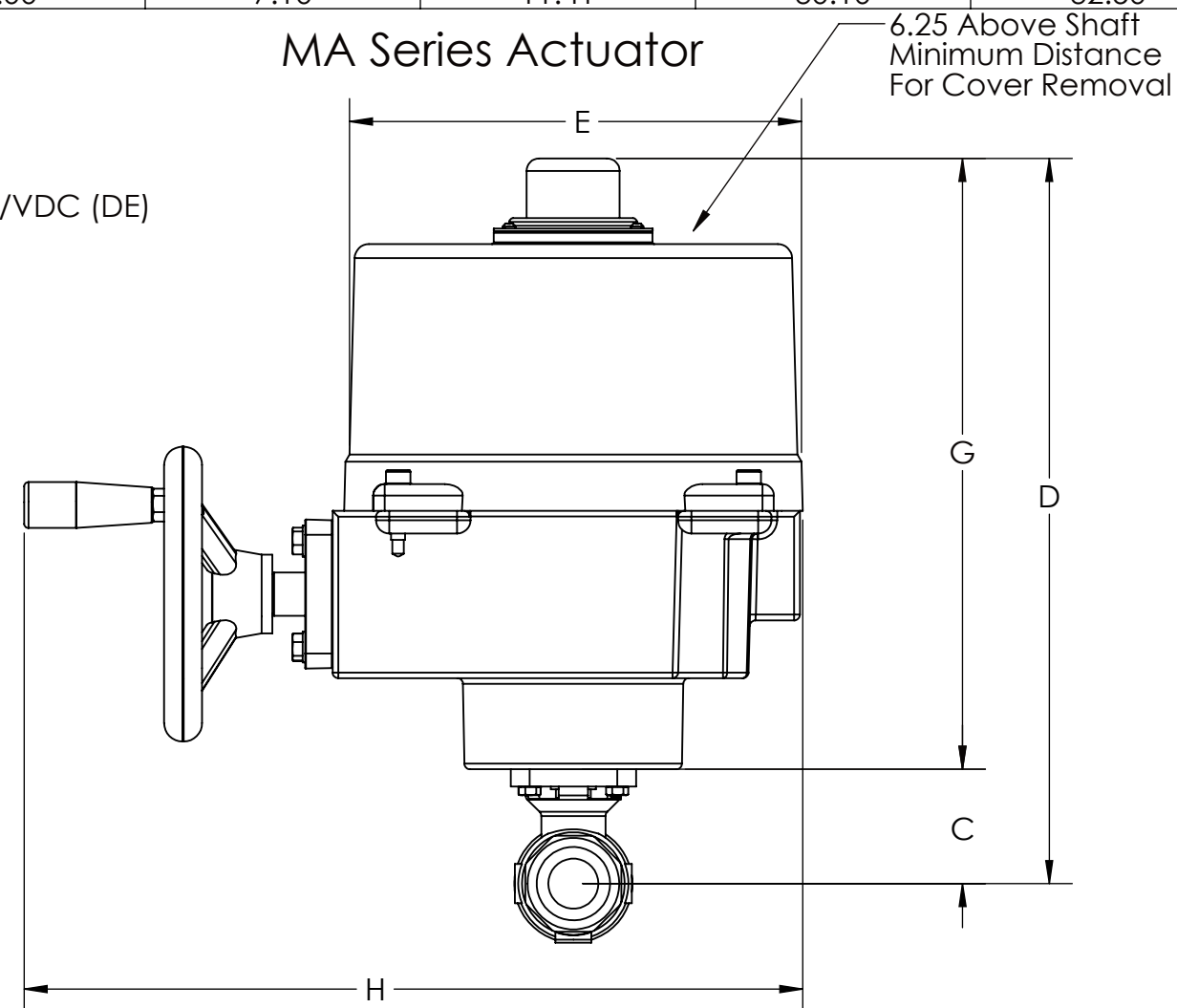


Model	EAS21ARE23	EAS22ARE23	EAS23ARE24	EAS24ARE24	EAS25ARE24	EAS26ARE07	EAS27ARE01	EAS28ARE01
Size	1/4 NPT	3/8 NPT	1/2 NPT	3/4 NPT	1 NPT	1 1/4 NPT	1 1/2 NPT	2 NPT
Temp	-20° / 185°F	-20° / 185°F	-20° / 185°F	-20° / 185°F	-20° / 185°F	-20° / 185°F	-20° / 185°F	-20° / 185°F
WOG	3000 psi	3000 psi	3000 psi	3000 psi	3000 psi	3000 psi	3000 psi	3000 psi
A	2.95	2.95	2.95	3.19	3.58	4.33	4.76	5.71
B	0.38	.38	.50	.69	.87	1.14	1.37	1.37
C	1.61	1.61	1.61	1.72	2.11	2.32	2.96	2.96
D	6.79	6.79	6.79	6.90	7.29	7.50	13.64	14.01
E	4.24	4.24	4.24	4.24	4.24	4.24	7.87	7.87
F	5.66	5.66	5.66	5.66	5.66	5.66	---	---
G	5.18	5.18	5.18	5.18	5.18	5.18	10.04	10.04
H	---	---	---	---	---	---	13.00	13.00
Actuator	DE156	DE156	DE304	DE304	DE304	MA4	MA7	MA7
Ambient Temp	-40° / 150°F	-40° / 150°F	-40° / 150°F	-40° / 150°F	-40° / 150°F	-40° / 150°F	-40° / 150°F	-40° / 150°F
Wt. lbs	5.40	5.40	5.50	6.00	7.10	11.41	30.10	32.50

3.00 Above Shaft
Minimum Distance
For Cover Removal



MA Series Actuator



**UNCONTROLLED
DRAWING**

THIS PRINT IS THE PROPERTY
OF DYNAQUIP CONTROLS AND
SHALL NOT BE COPIED,
REPRODUCED, LOANED,
OR DISPOSED OF DIRECTLY
OR INDIRECTLY, NOR USED
FOR ANY PURPOSE OTHER THAN
THAT FOR WHICH IT IS
SPECIFICALLY FURNISHED
EXCEPT BY WRITTEN
PERMISSION OF
DYNAQUIP CONTROLS.

NO.

EA Series

FILE NO.
Sub448

TITLE

Ball Valve SS
Full Port - NPT
Electric Actuator

DR
CMM

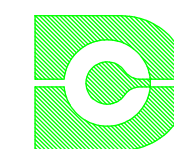
DATE
07-22-19

CH'KD

DATE

ENGR

DATE



**DynaQuip
Controls**