

Model	EVA61AME22	EVA62AME22	EVA63AME22	EVA64AME22	EVA65AME21	EVA66AME24	EVA67AME25	EVA68AME07
Size	1/4	3/8	1/2	3/4	1	1 1/4	1 1/2	2
Cv	6	6	6	15	30	60	110	360
WOG	600 PSI	600 PSI	600 PSI	600 PSI	600 PSI	400 PSI	400 PSI	400 PSI
A	2.68	2.68	2.68	3.20	3.46	4.17	4.72	5.39
B	0.44	0.50	0.59	0.79	0.98	1.26	1.50	1.97
C	1.59	1.59	1.59	1.85	2.10	2.21	2.88	3.21
D	6.77	6.77	6.77	7.03	7.28	7.39	8.06	11.94
E	4.24	4.24	4.24	4.24	4.24	4.24	4.24	4.19
F	5.66	5.66	5.66	5.66	5.66	5.66	5.66	---
G	5.18	5.18	5.18	5.18	5.18	5.18	5.18	7.73
Actuator	DE156	DE156	DE156	DE156	DE154	DE304	DE305	MA4
Sized for Max. Δ PSI	300 PSI	300 PSI	300 PSI	300 PSI	300 PSI	200 PSI	200 PSI	200 PSI
Wt. lbs	5.32	5.32	5.32	6.03	6.76	7.42	9.51	15.01
Media Temp	0F/200F	0F/200F	0F/200F	0F/200F	0F/200F	0F/200F	0F/200F	0F/200F
Ambient Temp	0F/150F	0F/150F	0F/150F	0F/150F	0F/150F	0F/150F	0F/150F	0F/150F

**VALVE MATERIALS**

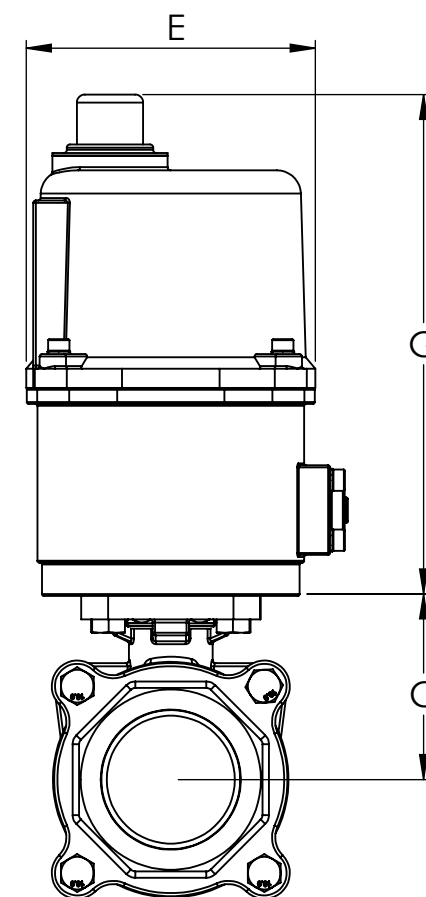
**FOR APPLICATIONS EXCEEDING LISTED TEMPERATURES, CALL TO DISCUSS OPTIONS**

BODY/ END CAP	BRONZE, B884 C84400
STEM	BRASS
BALL	FORGED BRASS B124
SEATS	PTFE
THRUSTWASHER	PTFE
STEM SEAL	BUNA

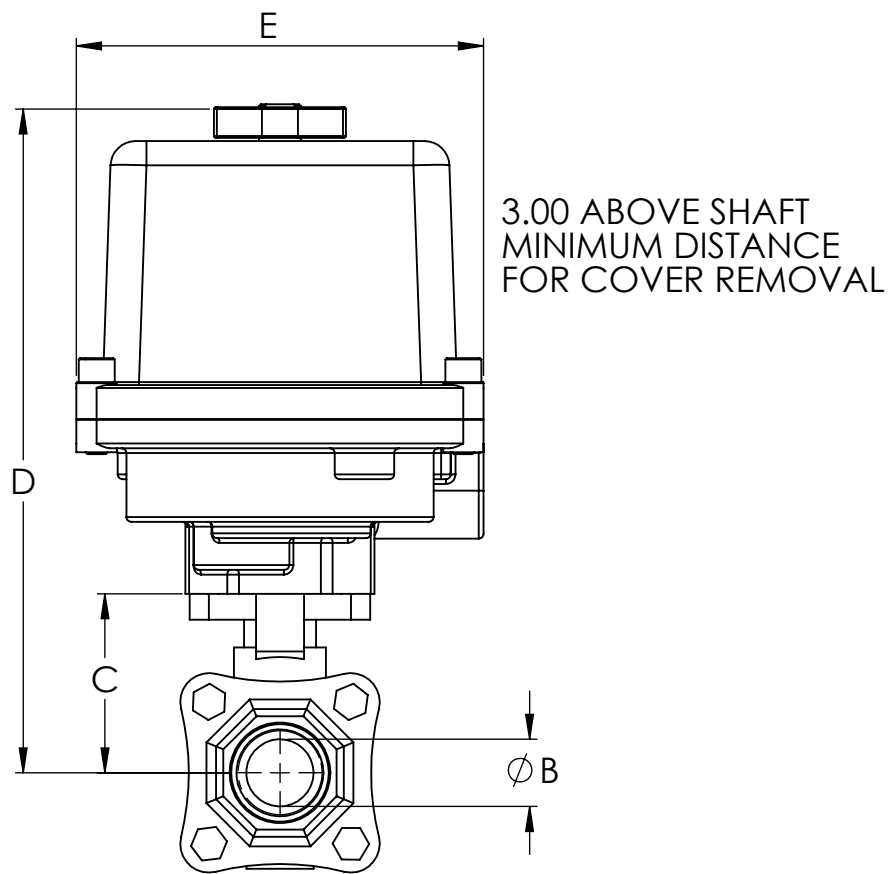
Model No. Voltage Code:  
EVA6XAMEXXY

Code (Suffix)  
Blank = 115VAC  
B = 240VAC  
H = 12-24 VAC/VDC (DE)

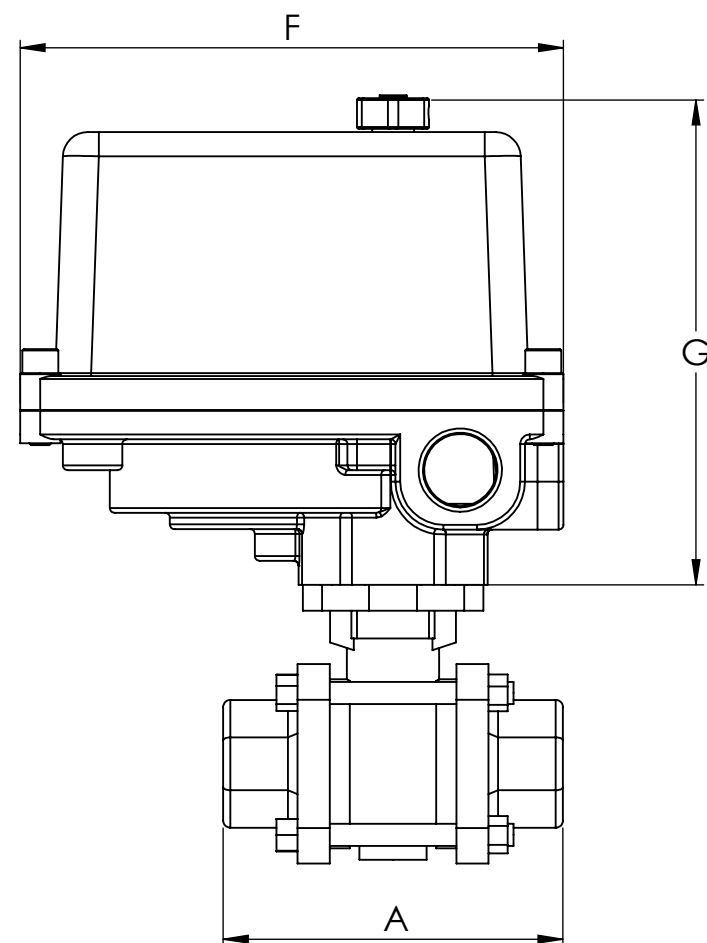
6.25 ABOVE SHAFT  
MINIMUM DISTANCE FOR  
COVER REMOVAL



MA SERIES ACTUATOR



DE SERIES ACTUATOR



**UNCONTROLLED  
DRAWING**

THIS PRINT IS THE PROPERTY  
OF DYNAQUIP CONTROLS AND  
SHALL NOT BE COPIED,  
REPRODUCED, LOANED,  
OR DISPOSED OF DIRECTLY  
OR INDIRECTLY, NOR USED  
FOR ANY PURPOSE OTHER THAN  
THAT FOR WHICH IT IS  
SPECIFICALLY FURNISHED  
EXCEPT BY WRITTEN  
PERMISSION OF  
DYNAQUIP CONTROLS.

NO. EVA SERIES FILE NO. SUB176

TITLE  
BALL VALVE  
BRONZE -- FULL PORT -- NPT  
ELECTRIC ACTUATOR

DR	DATE	CH'KD	DATE	ENGR	DATE
MDC	12-07-22	MDC	12-07-22	MDC	12-07-22

**DynaQuip®**  
CONTROLS CORPORATION