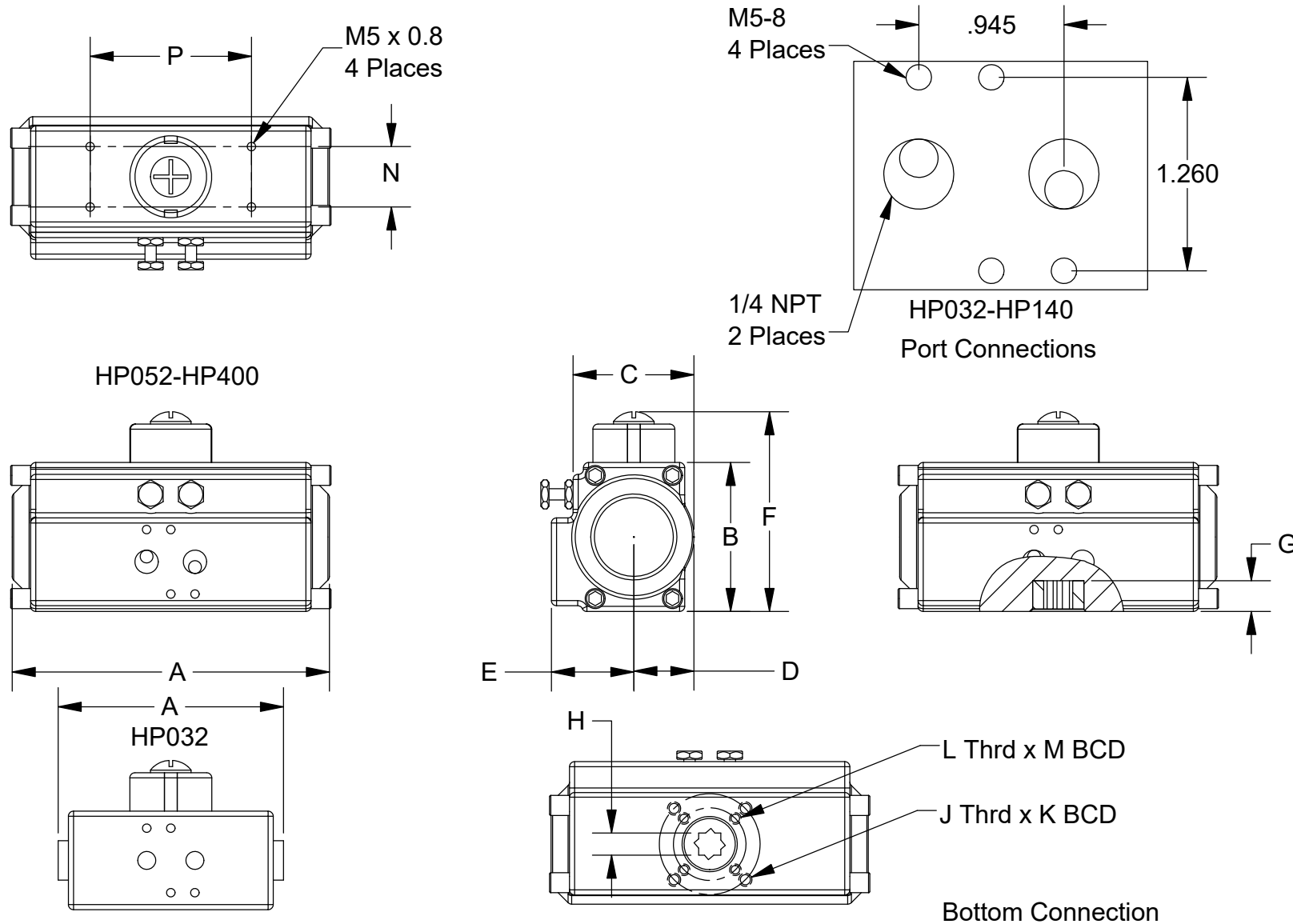


Double Acting	Spring Return	A	B	C	D	E	F	G	H	J	K	L	M	N	P	Wt. lbs
HP032DA	-	4.49	1.81	2.05	.83	1.22	2.56	.43	.354	M5x8	1.417	-	-	.98	1.97	1.10
HP052DA	HP052SR()	6.22	2.91	2.36	1.18	1.61	3.70	.55	.433	M6X11	1.969	M5x10	1.417	1.18	3.15	2.20
HP063DA	HP063SR()	7.48	3.46	2.72	1.42	1.77	4.25	.71	.551	M8x15	2.750	M6x12	1.969	1.18	3.15	3.50
HP064DA	HP064SR()	7.48	3.46	2.72	1.42	1.77	4.25	.71	.551	M5x8	1.654	-	-	1.18	3.15	3.50
HP075DA	HP075SR()	8.11	3.94	3.11	1.65	2.05	4.72	.79	.551	M8x13	2.750	M6x11	1.969	1.18	3.15	5.70
HP083DA	HP083SR()	8.39	4.29	3.46	1.81	2.07	5.08	.79	.669	M8x15	2.750	M6x12	1.969	1.18	3.15	6.80
HP092DA	HP092SR()	10.20	4.72	3.84	2.01	2.26	5.51	.87	.669	M8x13	2.750	M6x12	1.969	1.18	3.15	10.80
HP105DA	HP105SR()	11.18	5.24	4.15	2.26	2.52	6.02	.94	.866	M10x18	4.010	M8x14	2.750	1.18	3.15	14.30
HP125DA	HP125SR()	13.39	6.10	4.74	2.66	2.76	6.89	1.08	.866	M10x18	4.010	M8x14	2.750	1.18	3.15	21.80
HP140DA	HP140SR()	16.30	6.75	5.39	2.99	3.03	7.54	1.26	1.063	M12x22	4.921	M10x18	4.010	1.18	3.15	30.40
HP160DA	HP160SR()	18.74	7.76	6.28	3.41	3.44	8.54	1.34	1.063	M12X22	4.921	M10X18	4.010	1.18	3.15	41.8
HP190DA	HP190SR()	20.63	9.06	7.32	4.06	4.06	10.24	1.57	1.417	M16X23	5.512	--	--	1.18	5.12	61.6
HP210DA	HP210SR()	22.01	10.04	7.95	4.45	4.45	11.22	1.57	1.417	M16X25	5.512	--	--	1.18	5.12	81.4
HP240DA	HP240SR()	26.30	11.47	9.17	5.08	5.08	12.65	1.97	1.811	M20X28	6.496	--	--	1.18	5.12	114.4
HP270DA	HP270SR()	29.29	12.60	10.39	5.75	5.75	13.78	2.24	1.811	M20X28	6.496	--	--	1.18	5.12	187
HP300DA	HP300SR()	32.68	14.25	12.3	7.66	7.66	15.43	2.24	1.811	M20X28	6.496	M16X23	10.0	1.18	5.12	
HP350DA	HP350SR()	36.22	16.26	13.92	8.72	8.72	17.44	2.36	2.165	M20X28	6.496	M16X23	10.0	1.18	5.12	
HP400DA	HP400SR()	39.84	18.31	15.39	9.76	9.76	19.49	2.36	2.165	M20X28	6.496	M16X23	10.0	1.18	5.12	

"DA" Torque Ratings lbs.-in.		
ACTUATOR SIZE	AIR IN P.S.I.G.	
	60	80
HP032DA	54	72
HP052DA	142	189
HP063DA	252	336
HP064DA	252	336
HP075DA	409	545
HP083DA	516	688
HP092DA	792	1054
HP105DA	1163	1541
HP125DA	1985	2647
HP140DA	2987	3983
HP160DA	4601	6135
HP190DA	7415	9887
HP210DA	10191	13587
HP240DA	15973	21298
HP270DA	22463	29950
HP300DA	27574	36762
HP350DA	41280	55041
HP400DA	58822	78426

"SR" Torque Ratings -- lbs.-in.							
Actuator Size	NO. Of Spg	Air Supply In psig				Spring Stroke	
		60		80		Start	End
		Start	End	Start	End		
HP052SR()	10/12	76	35	123	79	108	66
		-	-	109	61	129	80
HP063SR()	10/12	140	64	226	138	194	110
		-	-	201	106	233	133
HP064SR()	10/12	140	64	226	138	194	110
		-	-	201	106	233	133
HP075SR()	10/12	214	108	353	238	310	199
		-	-	313	182	372	239
HP083SR()	10/12	277	150	450	313	376	244
		-	-	402	245	452	293
HP092SR()	10/12	407	217	672	482	578	388
		-	-	595	366	694	466
HP105SR()	10/12	625	314	1008	659	864	529
		-	-	897	509	1036	635
HP125SR()	10/12	1040	525	1723	1151	1477	925
		-	-	1521	881	1771	1110
HP140SR()	10/12	1564	789	2581	1752	2219	1410
		-	-	2283	1331	2663	1692
HP160SR()	10/12	2380	1206	3946	2740	3395	2198
		--	--	3482	2061	4074	2638
HP190SR()	10/12	3879	1907	6404	4274	5481	3463
		--	--	5665	3235	6578	4156
HP210SR()	10/12	5331	2712	8800	6073	7449	4760
		--	--	7784	4599	8939	5711
HP240SR()	10/12	8267	4340	13648	9721	11555	7628
		--	--	12073	7361	13866	9154
HP270SR()	10/12	12353	6171	19197	13817	16246	10839
		--	--	16982	10463	19495	13007
HP300SR()	10/12	14664	7982	23755	16096	20210	12888
		--	--	21236	12830	24246	15469
HP350SR()	10/12	21676	11050	36023	24226	30372	18963
		--	--	31743	18543	36421	22751
HP400SR()	10/12	31903	15137	51507	33282	44725	26919
		--	--	46317	26033	52978	32093



Material Specifications
 Body.....Aluminum Alloy, Hard Anodized
 Piston.....Aluminum Alloy, Hard Anodized
 End Cap.....Aluminum Alloy, Epoxy Coated
 Drive Shaft.....Steel, Nickel Plated
 Seal, O-Rings.....Buna N
 Bearings.....Delrin, (PTFE+15%Graphite for HP105-HP140 Thrust Bearings)
 Screws.....Stainless Steel
 Nuts.....Stainless Steel
 Loaded Springs.....Spring Steel, Zinc Phosphate Coated
 Operating Pressure.....40 - 100 PSI MAX.
 Temperature.....-4°F - 176°F

H suffix - High Temperature Option 5°F - 330°F
 Viton O-Rings & High Temp Lubricant
 H2 suffix - Low Temperature Option -40°F - 176°F
 Silicone O-Rings & Low Temp Lubricant

UNCONTROLLED DRAWING		NO. HP - Actuator				FILE NO. SUB299
Pneumatic Actuator						
HP Series						
DR	DATE	CHKD	DATE	ENGR	DATE	
CMM	12-19-24	MWS	10-13-15	MWS	10-13-15	
		DynaQuip Controls				

THIS PRINT IS THE PROPERTY OF DYNAQUIP CONTROLS AND SHALL NOT BE COPIED, REPRODUCED, LOANED, OR DISPOSED OF DIRECTLY OR INDIRECTLY, NOR USED FOR ANY PURPOSE OTHER THAN THAT FOR WHICH IT IS SPECIFICALLY FURNISHED EXCEPT BY WRITTEN PERMISSION OF DYNAQUIP CONTROLS.