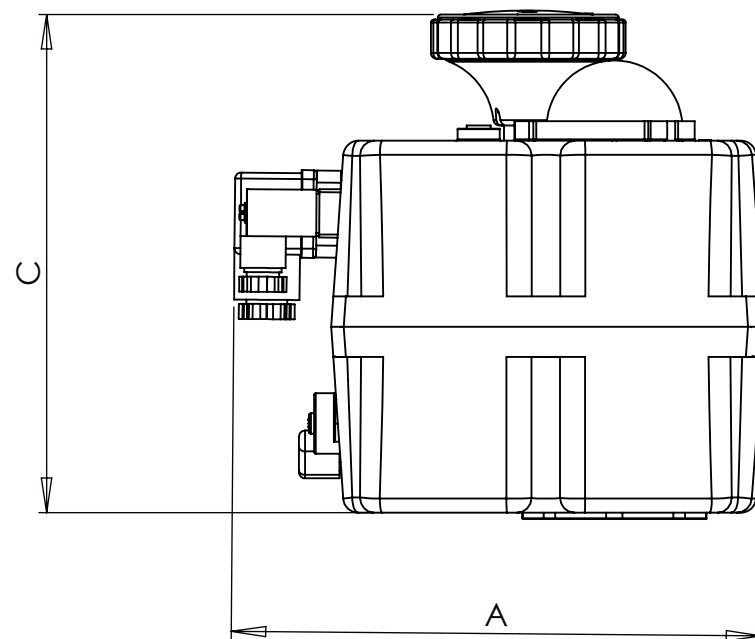
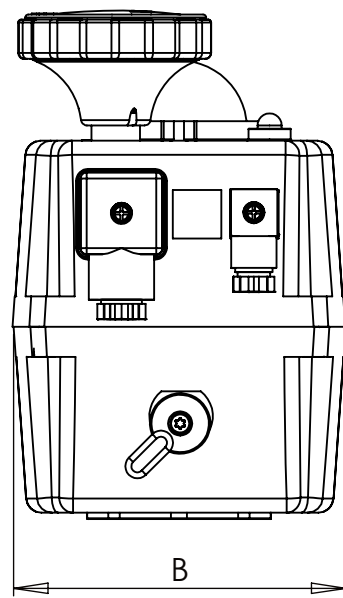


MODEL	MAX TORQUE IN/LBS BREAK / RUN	VOLTAGE	A	B	C	D	STAR DRIVE /DEEP	MOUNTING	ENCLOSURE	DUTY CYCLE	SPEED 90°	WEIGHT LBS
AJE2V	221 / 177	12 VAC/VDC	7.13"	4.34"	6.65"	2.01"	.551 (14mm)/.63	F03,F04,F05	IP67	75%	10 SEC	4.0
AJE3V	359 /309	12 VAC/VDC	7.13"	4.34"	6.65"	2.01"	.551 (14mm)/.63	F03,F04,F05	IP67	75%	10 SEC	4.2
AJE5V	530 / 486	12 VAC/VDC	7.13"	4.34"	7.72"	2.01"	.669 (17mm)/.70	F05,F07	IP67	75%	15 SEC	5.3
AJE7V	796 / 752	12 VAC/VDC	7.13"	4.34"	7.72"	2.01"	.669 (17mm)/.70	F05,F07	IP67	75%	32 SEC	6.6



MOUNTING PATTERNS

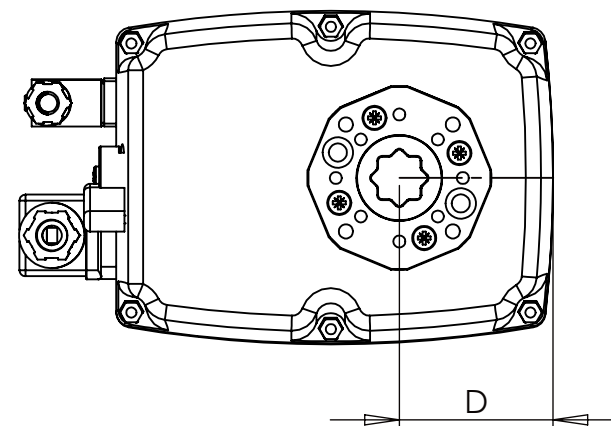
FO	BCD	THREAD
F03	1.417	M5
F04	1.654	M5
F05	1.969	M6
F07	2.750	M8

TEMPERATURE: -4°F +158°F
 HOUSING: POLYAMIDE
 OUTPUT SHAFT: STAINLESS STEEL
 FASTENERS: STAINLESS STEEL
 MANUAL OVERRIDE: DECLUTCHING
 COMPARTMENT HEATER: STANDARD
 END OF TRAVEL SIGNAL: DRY CONTACT

OPTIONS:

BATTERY OPERATED FAIL SAFE
 ADD SUFFIX
 00D FOR FAIL OPEN
 00F FOR FAIL CLOSE

MODULATING CONTROLS
 (4-20mA, 0-10V , 1-10V)
 ADD SUFFIX 550



**UNCONTROLLED
DRAWING**

THIS PRINT IS THE PROPERTY
 OF DYNAQUIP CONTROLS AND
 SHALL NOT BE COPIED,
 REPRODUCED, LOANED,
 OR DISPOSED OF DIRECTLY
 OR INDIRECTLY, NOR USED
 FOR ANY PURPOSE OTHER THAN
 THAT FOR WHICH IT IS
 SPECIFICALLY FURNISHED
 EXCEPT BY WRITTEN
 PERMISSION OF
 DYNAQUIP CONTROLS.

NO. 12VAC/VDC AJE SERIES

FILE NO.
SUB424

TITLE

ELECTRIC ACTUATOR

DR	DATE	CHKD	DATE	ENGR	DATE
CMM	10-22-18	CMM	10-22-18	CMM	10-22-18

