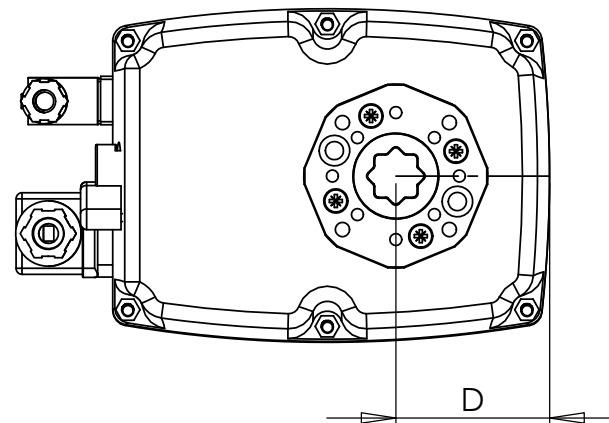
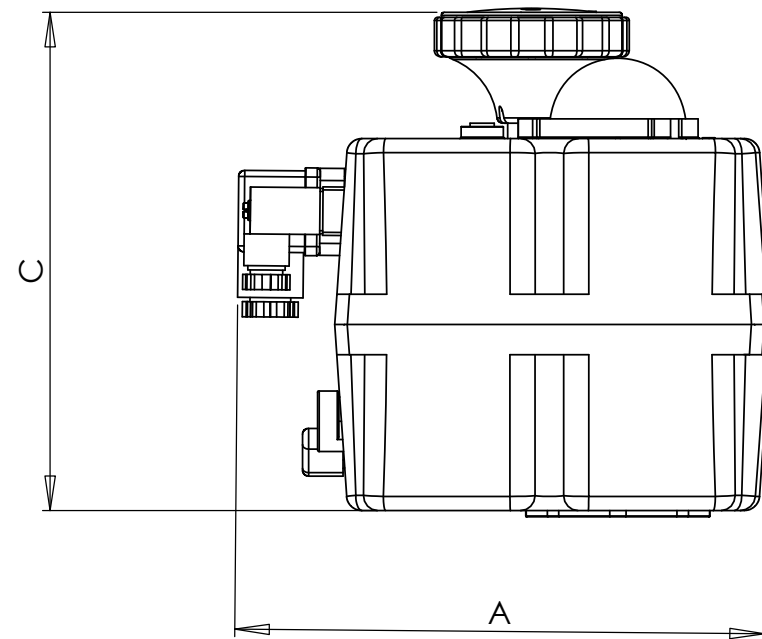
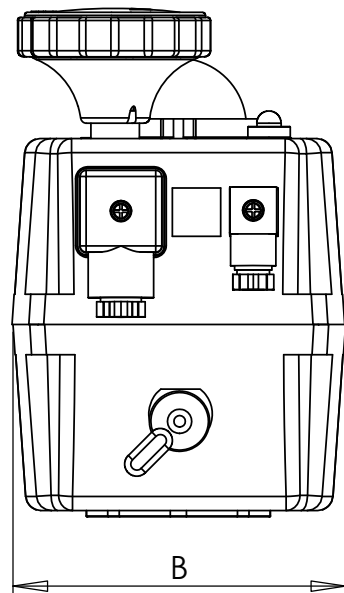


MODEL	MAX TORQUE IN/LBS BREAK / RUN	VOLTAGE	A	B	C	D	STAR DRIVE /DEEP	MOUNTING	ENCLOSURE	DUTY CYCLE	SPEED 90°	WEIGHT LBS
AJE2S	221 / 177	24 - 135 VDC 24 - 240 VAC 50/60 HZ	7.13"	4.34"	6.65"	2.01"	.551 (14mm)/.63	FO3,F04,F05	IP67	75%	10 SEC	4.0
AJE3S	359 / 309		7.13"	4.34"	6.65"	2.01"	.551 (14mm)/.63	F03,F04,F05	IP67	75%	10 SEC	4.2
AJE5S	530 / 486		7.13"	4.34"	7.72"	2.01"	.669 (17mm)/.70	F05,F07	IP67	75%	14 SEC	5.3
AJE7S	796 / 752		7.13"	4.34"	7.72"	2.01"	.669 (17mm)/.70	F05,F07	IP67	75%	30 SEC	6.6
AJE15S	1504 / 1239		9.26"	8.43"	10.00"	4.22"	.866 (22mm)/.94	F07,F10	IP67	75%	34 SEC	11.5
AJE30S	3097 / 2655		9.26"	8.43"	10.00"	4.22"	.866 (22mm)/.94	F07,F10	IP67	75%	58 SEC	11.5



### MOUNTING PATTERNS

FO	BCD	THREAD
F03	1.417	M5
F04	1.654	M5
F05	1.969	M6
F07	2.750	M8
F10	4.010	M10

TEMPERATURE: -4°F +158°F  
 HOUSING: POLYAMIDE  
 OUTPUT SHAFT: STAINLESS STEEL  
 FASTENERS: STAINLESS STEEL  
 MANUAL OVERRIDE: DECLUTCHING  
 COMPARTMENT HEATER: STANDARD  
 END OF TRAVEL SIGNAL: DRY CONTACT

### OPTIONS:

**BATTERY OPERATED FAIL SAFE**  
 ADD SUFFIX  
 00D FOR FAIL OPEN  
 00F FOR FAIL CLOSE

**MODULATING CONTROLS**  
 (4-20mA, 0-10V, 1-10V)  
 ADD SUFFIX 550

**UNCONTROLLED  
DRAWING**

THIS PRINT IS THE PROPERTY  
 OF DYNAQUIP CONTROLS AND  
 SHALL NOT BE COPIED,  
 REPRODUCED, LOANED,  
 OR DISPOSED OF DIRECTLY  
 OR INDIRECTLY, NOR USED  
 FOR ANY PURPOSE OTHER THAN  
 THAT FOR WHICH IT IS  
 SPECIFICALLY FURNISHED  
 EXCEPT BY WRITTEN  
 PERMISSION OF  
 DYNAQUIP CONTROLS.

NO. **AJE SERIES** FILE NO. SUB395

TITLE **ELECTRIC ACTUATOR**

DR	DATE	CHKD	DATE	ENGR	DATE
MJP	08-17-20	MJP	05-08-17	MJP	05-08-17

