

JE Series Electric Actuators

A feature rich line designed for ease-of-use and reliability



Multi-Voltage SMART Electric Actuators

The innovative JE Series of electric actuators delivers the latest technology at an unmatched value. These actuators are multi-voltage capable with automatic voltage sensing for AC or DC power supply and can be configured for fail-safe or modulating functions as options. JE Series actuators are lightweight, compact, and quick and easy to install.

JE Series Features

- Quarter-turn (90°) reversible operation
- Multi-voltage capability (AC/DC)
- Emergency manual override
- Isolated end-of-travel limit switches
- IP67 anti-corrosive, UV-resistant, weatherproof enclosure
- Easy wiring via external DIN plugs
- Automatic temperature control
- Anti-condensation heater
- Electronic torque limiter
- Quarter-turn (90°) reversible operation
- External LED diagnostic light
 - Multi-colored LED light provides continuous visual position indicator dome.
 - Distinctive visual position indicator dome
- Protected electrical supply
- CE Marked
- ISO 5211 standard

The DynaQuip Difference

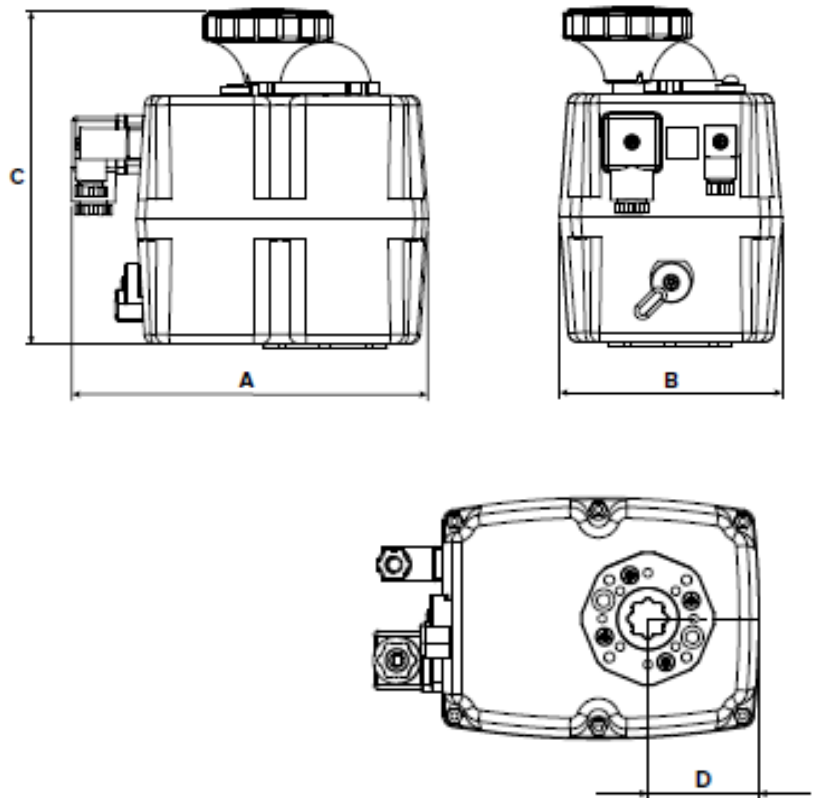
For over eight decades DynaQuip has provided superior products and customer service. We offer flexible and innovative solutions for our unique customer needs. Our products are assembled, tested, and stored at our St. Clair, MO headquarters enabling us to offer quality assurance and industry best lead-times.

- Industry-best lead times
- Personal customer service
- Superior quality products
- Flexible, innovative solutions

JE Series Electric Actuators

Model	Max Torque (lbs) Break/Run	Voltage	Mounting	Enclosure	Duty Cycle	Speed 90°	Weight (lbs)
AJE2V	221 / 177	12 VDC/VAC	F03, F04, F05	IP67	75%	10 SEC	4.0
AJE3V	359 / 309	12 VDC/VAC	F03, F04, F05	IP67	75%	10 SEC	4.2
AJE5V	530 / 486	12 VDC/VAC	F05, F07	IP67	75%	15 SEC	5.3
AJE7V	796 / 752	12 VDC/VAC	F05, F07	IP67	75%	32 SEC	6.6
AJE2S	221 / 177	24 – 240 VDC/VAC	F03, F04, F05	IP67	75%	10 SEC	4.0
AJE3S	359 / 309	24 – 240 VDC/VAC	F03, F04, F05	IP67	75%	10 SEC	4.2
AJE5S	530 / 486	24 – 240 VDC/VAC	F05, F07	IP67	75%	14 SEC	5.3
AJE7S	796 / 752	24 – 240 VDC/VAC	F05, F07	IP67	75%	30 SEC	6.6
AJE15T	1504 / 1239	85 – 240 VDC/VAC	F07, F10	IP67	75%	34 SEC	11.5
AJE15U	1504 / 1239	24 VDC/VAC	F07, F10	IP67	75%	34 SEC	11.5
AJE30T	3097 / 2655	85 – 240 VDC/VAC	F07, F10	IP67	75%	58 SEC	11.5
AJE30U	3097 / 2655	24 VDC/VAC	F07, F10	IP67	75%	58 SEC	11.5

Model	A	B	C	D
AJE2V	7.13"	4.34"	6.65"	2.01"
AJE3V	7.13"	4.34"	6.65"	2.01"
AJE5V	7.13"	4.34"	7.72"	2.01"
AJE7V	7.13"	4.34"	7.72"	2.01"
AJE2S	7.13"	4.34"	6.65"	2.01"
AJE3S	7.13"	4.34"	6.65"	2.01"
AJE5S	7.13"	4.34"	7.72"	2.01"
AJE7S	7.13"	4.34"	7.72"	2.01"
AJE15T	9.26"	8.43"	10.00"	4.22"
AJE15U	9.26"	8.43"	10.00"	4.22"
AJE30T	9.26"	8.43"	10.00"	4.22"
AJE30U	9.26"	8.43"	10.00"	4.22"



Just Ask DynaQuip: 800-545-3636 | info@dynaquip.com | dynaquip.com