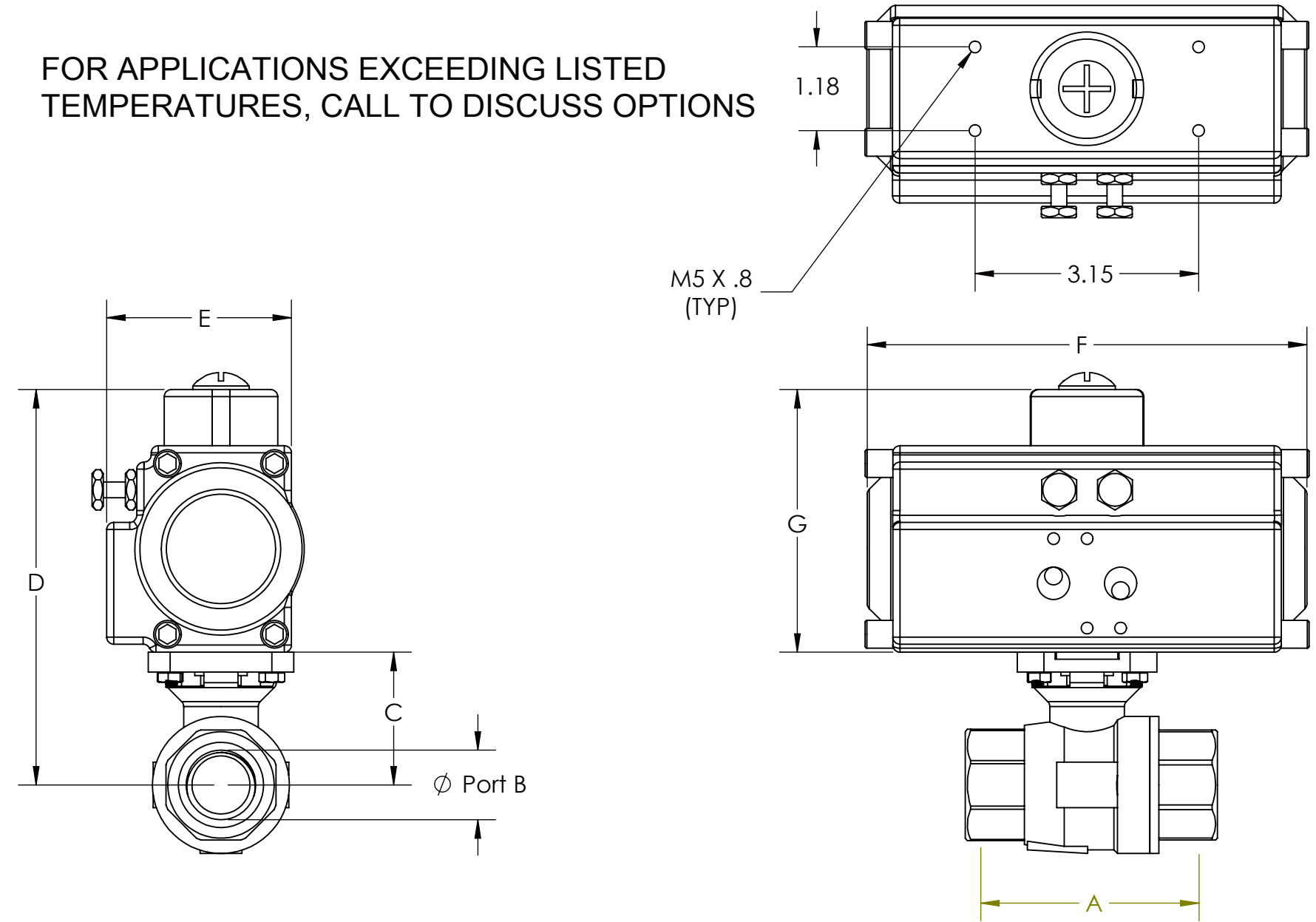


Model	P2S21AJSR05210F	P2S22AJSR05210F	P2S23AJSR05210F	P2S24AJSR05210F	P2S25AJSR06310F	P2S26AJSR06310F	P2S27AJSR06310F	P2S28AJSR09210F	P2S29AJSR10510F	P2S2AAJSR12510F
Size	1/4 NPT	3/8 NPT	1/2 NPT	3/4 NPT	1 NPT	1 1/4 NPT	1 1/2 NPT	2 NPT	2 1/2 NPT	3 NPT
Cv	10	16	37	68	109	185	268	486	791	1150
WOG	1000 psi	1000 psi	1000 psi	1000 psi	1000 psi	1000 psi	1000 psi	1000 psi	1000 psi	1000 psi
A	2.95	2.95	2.95	3.15	3.56	4.33	4.72	4.88	5.76	6.44
B	0.31	0.39	0.59	0.79	0.98	1.26	1.50	1.97	2.48	2.99
C	1.54	1.54	1.54	1.73	1.87	2.09	2.54	2.97	3.60	3.97
D	5.24	5.24	5.24	5.43	6.12	6.34	6.79	8.48	9.62	10.86
E	2.79	2.79	2.79	2.79	3.19	3.19	3.19	4.27	4.78	5.42
F	6.24	6.24	6.24	6.24	7.48	7.48	7.48	10.20	11.30	13.39
G	3.70	3.70	3.70	3.70	4.25	4.25	4.25	5.51	6.02	6.89
Sized for Max. Δ PSI	500 psi	500 psi	500 psi	500 psi	500 psi	300 psi	300 psi	300 psi	300 psi	300 psi
Actuator	HP052SR10F	HP052SR10F	HP052SR10F	HP052SR10F	HP063SR10F	HP063SR10F	HP063SR10F	HP092SR10F	HP105SR10F	HP125SR10F
Ambient Temp	-4° / 176°F	-4° / 176°F	-4° / 176°F	-4° / 176°F	-4° / 176°F	-4° / 176°F	-4° / 176°F	-4° / 176°F	-4° / 176°F	-4° / 176°F
Media Temp	-4° / 235°F	-4° / 235°F	-4° / 235°F	-4° / 235°F	-4° / 235°F	-4° / 235°F	-4° / 235°F	-4° / 235°F	-4° / 235°F	-4° / 235°F
Wt. lbs	3.30	3.30	3.30	3.50	6.20	7.30	9.10	18.90	30.10	40.10

FOR APPLICATIONS EXCEEDING LISTED TEMPERATURES, CALL TO DISCUSS OPTIONS



**Valve Data**

Body/End Cap	ASTM A351-CF8M (316 Stainless)
Stem	316 Stainless Steel
Ball	316 Stainless Steel
Seats	RTFE
Thrustwasher	PTFE
Stem Seal	PTFE / VITON O-Ring

**UNCONTROLLED DRAWING**  
 THIS PRINT IS THE PROPERTY OF DYNAQUIP CONTROLS AND SHALL NOT BE COPIED, REPRODUCED, LOANED, OR DISPOSED OF DIRECTLY OR INDIRECTLY, NOR USED FOR ANY PURPOSE OTHER THAN THAT FOR WHICH IT IS SPECIFICALLY FURNISHED EXCEPT BY WRITTEN PERMISSION OF DYNAQUIP CONTROLS.

<b>NO.</b>	P2 Series		<small>FILE NO.</small>	Sub319
<small>TITLE</small>	Ball Valve SS Full Port - NPT HP-SR NO Actuator			
<small>DR</small>	<small>DATE</small>	<small>CHKD</small>	<small>DATE</small>	<small>ENGR</small>
CMM	07-06-21	MWS	11-10-15	MWS