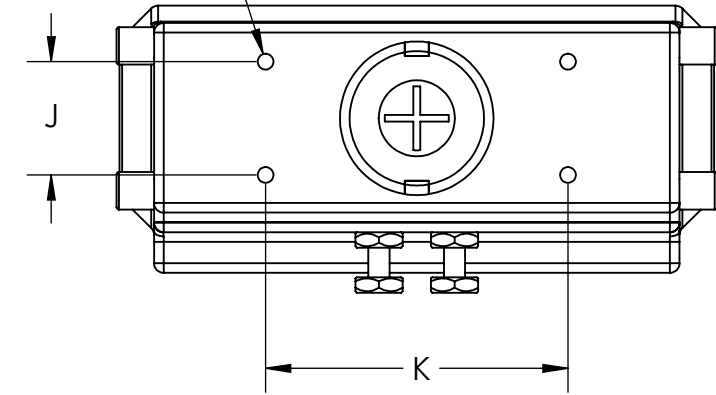


Model	PHH23ATDA032	PHH24ATDA032	PHH25ATDA052	PHH26ATDA052	PHH27ATDA063	PHH28ATDA063	PHH2AATDA075	PHH2BATDA092
Size	1/2 NPT	3/4 NPT	1 NPT	1 1/4 NPT	1 1/2 NPT	2 NPT	3 NPT	4 NPT
Cv	19	34	52	77	143	205	260	410
CWP	600 PSI	600 PSI	600 PSI	600 PSI	600 PSI	600 PSI	600 PSI	600 PSI
A	2.60	2.93	3.56	4.09	4.60	5.31	6.89	8.03
B	0.59	0.79	0.98	1.26	1.57	1.97	3.00	3.74
C	1.34	1.72	2.06	2.56	3.12	3.78	5.35	6.35
D	1.22	1.52	1.67	1.94	2.44	2.71	3.85	4.59
E	3.78	4.08	5.37	5.64	6.69	6.96	8.57	10.01
F	2.05	2.05	2.79	2.79	3.19	3.19	3.70	4.27
G	4.49	4.49	6.24	6.24	7.48	7.48	8.15	10.20
H	2.56	2.56	3.70	3.70	4.25	4.25	4.72	5.51
J	.98	.98	1.18	1.18	1.18	1.18	1.18	1.18
K	1.97	1.97	3.15	3.15	3.15	3.15	3.15	3.15
Sized for Max Δ P	300 PSIGH	300 psig	300 psig	300 psig	300 psig	300 PSIG	300 PSIG	300 PSIG
Actuator	HP032DA	HP032DA	HP052DA	HP052DA	HP063DA	HP063DA	HP075DA	HP092DA
Ambient Temp	-4°F / 176°F	-4°F / 176°F	-4°F / 176°F	-4°F / 176°F	-4°F / 176°F	-4°F / 176°F	-4°F / 176°F	-4°F / 176°F
Media Temp	-4° / 235°F	-4° / 235°F	-4° / 235°F	-4° / 235°F	-4° / 235°F	-4° / 235°F	-4° / 235°F	-4° / 235°F
Wt. lbs	1.80	2.12	4.01	5.14	7.77	10.51	18.99	32.34

M5 X 0.8
(TYP)

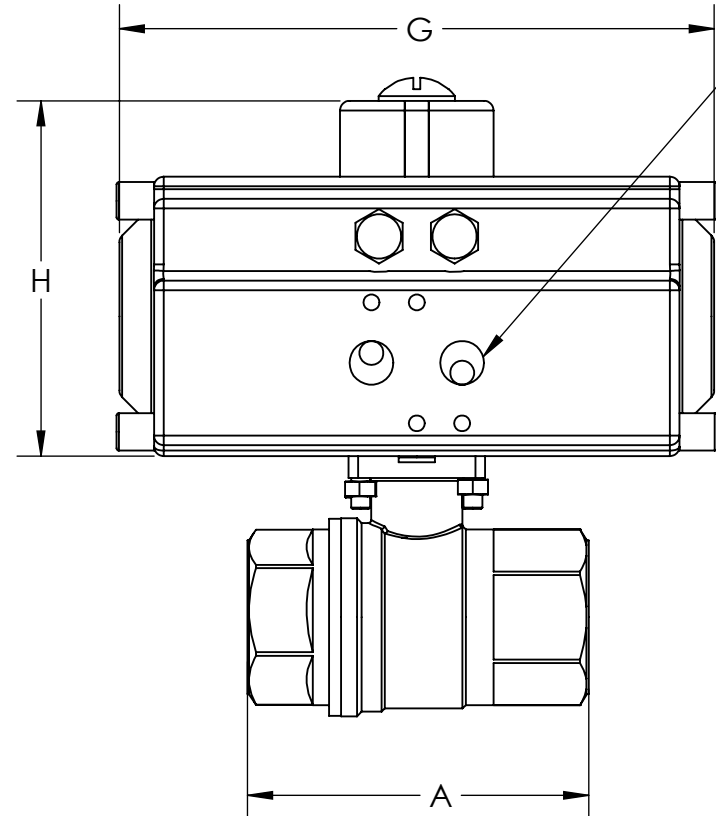


FOR USE WITH POTABLE WATER

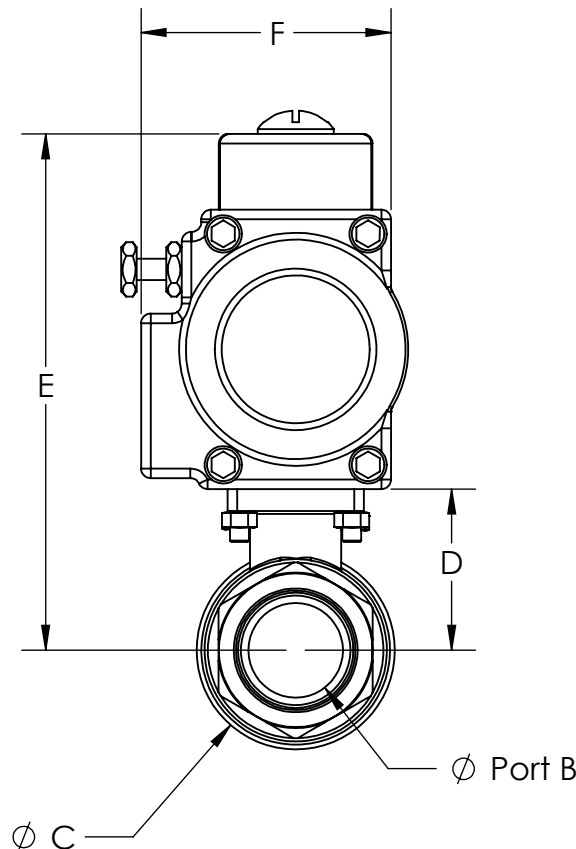
VALVE SIZES 1/2 THROUGH 1 1/2 ARE CERTIFIED TO NSF/ANSI 372 FOR USE WITH POTABLE WATER

FOR APPLICATIONS EXCEEDING LISTED TEMPERATURES, CALL TO DISCUSS OPTIONS

Note:
Sized for clean water, air, or oil.
Minimum 80 psig air supply to actuator.
Other applications may require larger actuators.
Please consult factory.



1/4 NPT 2 Places
1/8 NPT 2 Places for HP032DA



Valve Data

Body/End Cap	Forged Brass, Not Plated
Stem	Brass, Nickel Plated
Ball	Brass, Chrome Plated
Seats	PTFE Graphite filled 15%
Thrustwasher	PTFE Carbon filled 25%
Stem Seal	FPM O-Rings
Ball Seat Seals	FPM O-Rings

UNCONTROLLED DRAWING

THIS PRINT IS THE PROPERTY OF DYNAQUIP CONTROLS AND SHALL NOT BE COPIED, REPRODUCED, LOANED, OR DISPOSED OF DIRECTLY OR INDIRECTLY, NOR USED FOR ANY PURPOSE OTHER THAN THAT FOR WHICH IT IS SPECIFICALLY FURNISHED EXCEPT BY WRITTEN PERMISSION OF DYNAQUIP CONTROLS.

NO. PHH2 Series FILE NO. Sub. 379

TITLE Ball Valve - Brass Full Port - NPT HP-DA Actuator

DR	DATE	CHKD	DATE	ENGR	DATE
MDC	12-06-22	PTS	10-10-16	PTS	10-10-16

