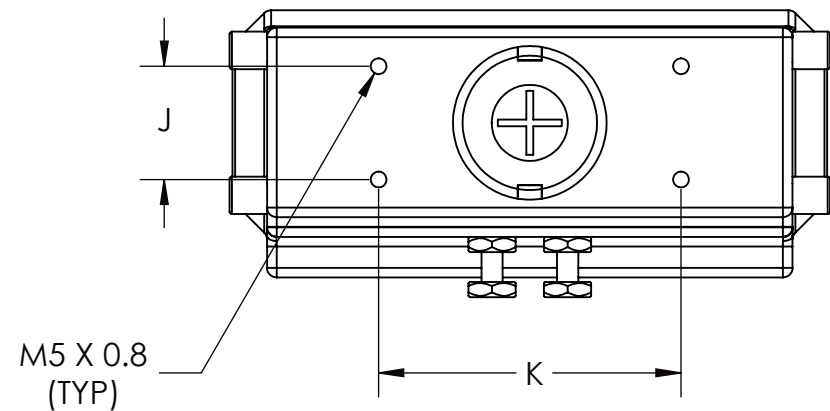


Model	PHH23ATSR05210	PHH24ATSR05212	PHH25ATSR05212	PHH26ATSR06312	PHH27ATSR08310	PHH28ATSR08310	PHH2AATSR09210	PHH2BATSRI0512
Size	1/2 NPT	3/4 NPT	1 NPT	1 1/4 NPT	1 1/2 NPT	2 NPT	3 NPT	4 NPT
Cv	19	34	52	77	143	205	260	410
CWP	600 PSI	600 PSI	600 PSI	600 PSI	600 PSI	600 PSI	600PSI	600 PSI
A	2.60	2.93	3.56	4.09	4.60	5.31	6.89	8.03
B	0.59	0.79	0.98	1.26	1.57	1.97	3.00	3.74
C	1.34	1.72	2.06	2.56	3.12	3.78	5.35	6.35
D	1.22	1.52	1.67	1.94	2.44	2.71	3.85	4.59
E	4.92	5.22	5.37	6.19	7.52	7.79	9.36	10.61
F	2.79	2.79	2.79	3.19	3.88	3.88	4.27	4.78
G	6.24	6.24	6.24	7.48	8.39	8.39	10.20	11.30
H	3.70	3.70	3.70	4.25	5.08	5.08	5.51	6.02
J	.98	.98	1.18	1.18	1.18	1.18	1.18	1.18
K	1.97	1.97	3.15	3.15	3.15	3.15	3.15	3.15
Sized for Max Δ P	300 PSIG	300 PSIG	300 PSIG	300 PSIG	300 PSIG	300 PSIG	300 PSIG	300 PSIG
Actuator	HP052SR10	HP052SR12	HP052SR12	HP063SR12	HP083SR10	HP083SR10	HP092SR10	HP105SR12
Ambient Temp	-4°F / 176°F	-4°F / 176°F	-4°F / 176°F	-4°F / 176°F	-4°F / 176°F	-4°F / 176°F	-4°F / 176°F	-4°F / 176°F
Media Temp	-4° / 235°F	-4° / 235°F	-4° / 235°F	-4° / 235°F	-4° / 235°F	-4° / 235°F	-4° / 235°F	-4° / 235°F
Wt. lbs	2.90	3.22	4.01	6.44	11.07	13.81	24.09	35.84

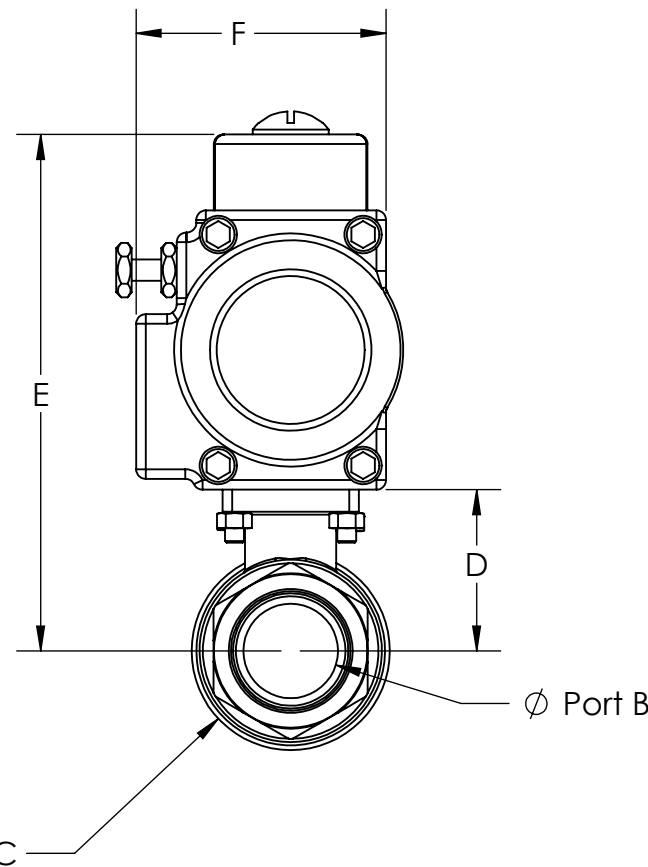
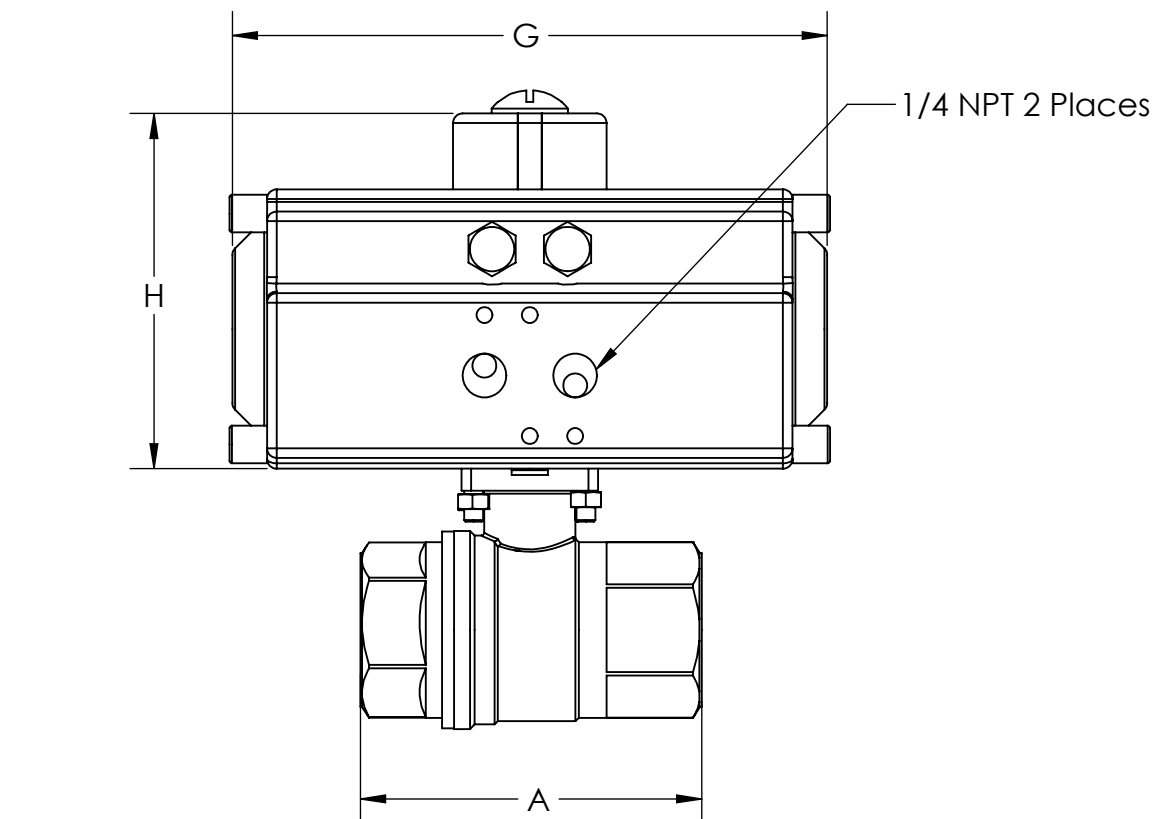


FOR USE WITH POTABLE WATER

FOR APPLICATIONS EXCEEDING LISTED TEMPERATURES, CALL TO DISCUSS OPTIONS

VALVE SIZES 1/2 THROUGH 1 1/2 ARE CERTIFIED TO NSF/ANSI 372 FOR USE WITH POTABLE WATER

Note:
Sized for clean water, air, or oil.
Minimum 80 psig air supply to actuator.
Other applications may require larger actuators.
Please consult factory.



Valve Data

Body/End Cap	Forged Brass, Not Plated
Stem	Brass, Nickel Plated
Ball	Brass, Chrome Plated
Seats	PTFE Graphite filled 15%
Thrustwasher	PTFE Carbon filled 25%
Stem Seal	FPM O-Rings
Ball Seat Seals	FPM O-Rings

UNCONTROLLED DRAWING

THIS PRINT IS THE PROPERTY OF DYNAQUIP CONTROLS AND SHALL NOT BE COPIED, REPRODUCED, LOANED, OR DISPOSED OF DIRECTLY OR INDIRECTLY, NOR USED FOR ANY PURPOSE OTHER THAN THAT FOR WHICH IT IS SPECIFICALLY FURNISHED EXCEPT BY WRITTEN PERMISSION OF DYNAQUIP CONTROLS.

NO. PHH2 Series FILE NO. Sub. 380

TITLE Ball Valve - Brass Full Port - NPT HP-SR NC Actuator

DR	DATE	CHKD	DATE	ENGR	DATE
CMM	12-07-22	PTS	10-10-16	PTS	10-10-16

